

**EDI-Recommendations
of GS1 Germany
Version 9.3
GS1 DE All**

**Despatch Advice
(DESADV)**

EANCOM 2002 Syntax 3

Introduction.....	2
Business Terms.....	16
Branching Diagram.....	25
Message Structure.....	48
Segmentlayout.....	54
Codes.....	230
Example.....	358

Einführung

Introduction

The aim of the brochure on hand is to offer documentation describing the exchange of delivery data between business partners.

The basis of this elaboration is the international standard EANCOM® 2002. The message type DESADV 008 is used to transmit relevant data. GEFEG.FX (Gefeg mbH, Berlin) was used as the documentation tool.

Please be aware to know that this booklet does not replace the complete specifications in the original chapters or other relevant instructions within the EANCOM® 2002 documentation. Instead, it deals with the description of segments, data elements and codes to be used for a specific task.

The current documentation has been produced by the GS1 Germany GmbH in Cologne. GS1 Germany assumes no liability for any damages incurring from the use of this documentation. This brochure or extracts thereof may only be published or forwarded to third parties with the express written consent of GS1 Germany, which holds copyright on this work.

Important note

To fulfill the requirements of directive 2003/58/EG, article 4, C058 has been opened in NAD segments identifying a message sender. If the place in the 5 DE 3124 is not sufficient, the following RFF segments can be used, qualified with DE 1153 = GN. DE 1154 has got a capacity of 70 digits. Only in those cases, when no RFF segment follows NAD, a RFF+GN can be used in the heading section of the message. Within the EDI recommendations of GS! Germany this is only applicable for the messages REMADV and SLSFCT.

This brochure offers different ways to start

Introduction

"Introduction" contains a short description of the respective message.

BusinessTerms

"Business Terms", is a table which links directly to the sequence numbers of the segments.

Diagram

"Diagram", is a hierarchical graphic depiction of all used segments in the same sequence as they are defined in the EANCOM® message. However, every segment is shown only once, and it is therefore possible that the sequence numbering is interrupted.

Structure

"Structure", is a list of all used segments in the same sequence as they are defined in the EANCOM® message. In general, for each piece of information one single segment is provided. Exeptions may arrise when the the occurence of a segment is limited and can contain alternative information (e.g., segment BGM).

Segmentlayout

"Segmentlayout", an illustration that has been chosen to match the business terms (data from the inhouse application) with the elements from the EANCOM® syntax.

Codes

"Codes" contains a list of the codes used in the message.

Einführung

Examples

"Examples", provides at least one message example with comments. Please note that, for technical reasons, the examples can contain component data element separators, which would otherwise be represented as data element separators in the original messages.

Print

"Print" opens the PDF documentation for the corresponding message.

Scope DESADV

The DESADV is used to announce a delivery. Only logistical information are displayed. Prices are no part of the DESADV.

The delivery note number and the despatch advice number should be identical.

Message structure

Heading section

Specification of buyer and supplier, message date and number.

Detail section

Specification of GTIN to identify goods and services and their quantity.

Summary section

The summary section is for syntactical reasons only.

REFERENCES IN THE BEVERAGE SECTOR

Notes to the despatch advice in the beverages industry

The despatch advice can be regarded in three parts: the heading section, detail section and summary section.

The heading section contains the document number, the date of creation, the order number (receiver) and the despatch note number. The following rule applies to DESADV document number and despatch note number: If the used systems enable the possibility the document numbers of the electronic DESADV and paper based despatch note should be identical. As not all inhouse systems support this possibility one RFF segment to indicate the despatch note number is mandatory.

Receiver, sender delivery location and in case of transshipment process the final receiver are identified by use of GLN. Additionally the exact creation date and the expected delivery date is indicated.

The unambiguous product identification and the delivery quantities are described in the detail section according the packaging hierarchy.

The summary section can contain control values for checking purposes in the inhouse system of the receiver.

Einführung

Note to the detail section of the documentation

Within the detail section it is possible to transmit SSCC to identify the consignment and/or consignment lines.

Additionally it is possible to describe the hierarchy of the consignment. Therefore the detail section is presented in two paragraphs:

1. Detail section - Presentation of the entire consignment

This detail section is mandatory in the message, (e.g., description of a pallet).

2. Detail section - Presentation if despatch unit(s)

This detail section can be used in the message, (e.g., description of consumer units within the cartons).

Additional detailed information can be found in chapter "6. ECR in der Getränkewirtschaft" of the ECR-Supply Side manual.

REFERENCES IN THE FOOD/NON_FOOD SECTOR AND DIY SECTOR

Note to the detail section of the documentation

Within the detail section it is possible to transmit SSCC to identify the consignment and/or consignment lines.

Additionally it is possible to describe the hierarchy of the consignment. Therefore the detail section is presented in three paragraphs:

1. Detail section - Presentation of the entire consignment

This detail section is mandatory in the message, (e.g., description of a pallet).

2. Detail section - Presentation if despatch unit(s)

This detail section can be used in the message, (e.g., description of cartons placed on the pallet).

3. Detail section - Presentation of despatch unit(s)/article(s)

This detail section can be used in the message, (e.g., description of consumer units within the cartons).

Application scenarios of the DESADV message

Below different possibilities are illustrated on the use of the despatch advice message (DESADV). Please note especially the allocation of delivery - despatch advice and the allocation of delivery - transport means/units.

The despatch advice (DESADV) can have references to one or more purchase orders (ORDERS). If a consignment is split into multiple transport means/units more than one DESADV can have references to one ORDERS.

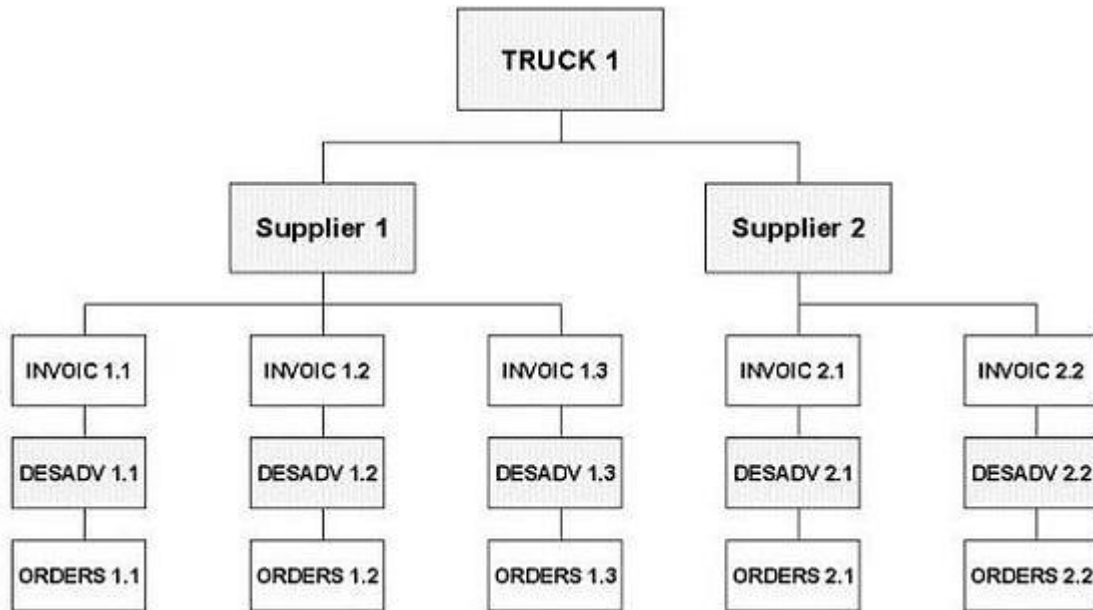
Basic principle

Einführung

In general at least one DESADV should be sent per transport means/units, e.g., truck, container or swap trailer even if a consignment is allocated to multiple transport means/units.

Scenario 1: One despatch advice (DESADV) per order

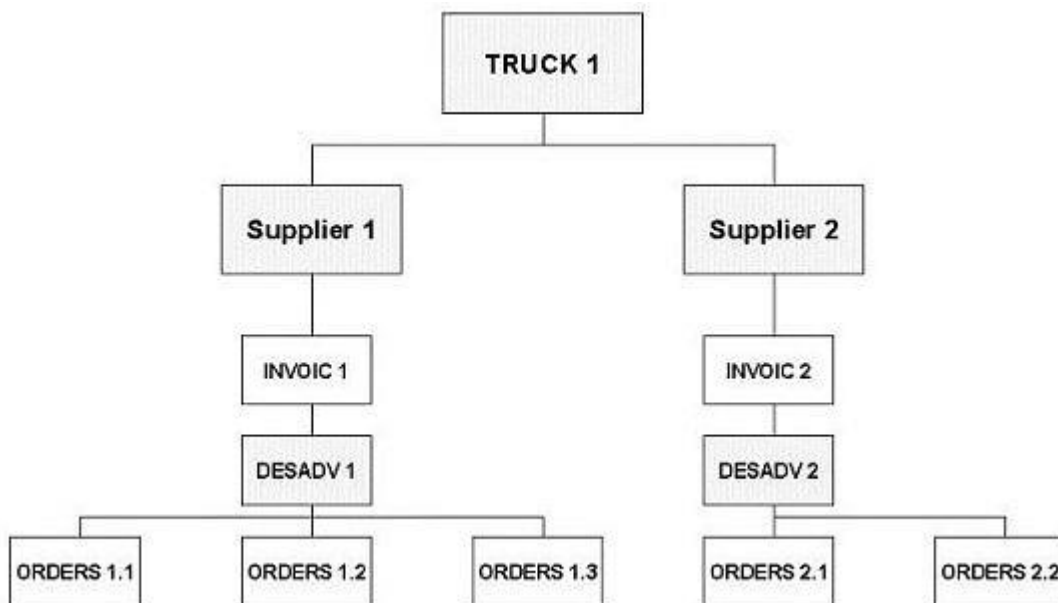
One truck transports consignments of different suppliers. Each consignment of a supplier relates to one purchase order (ORDERS) and is advised by one DESADV and will be followed by one commercial invoice (INVOIC).



Scenario 2: One despatch advice (DESADV) per supplier

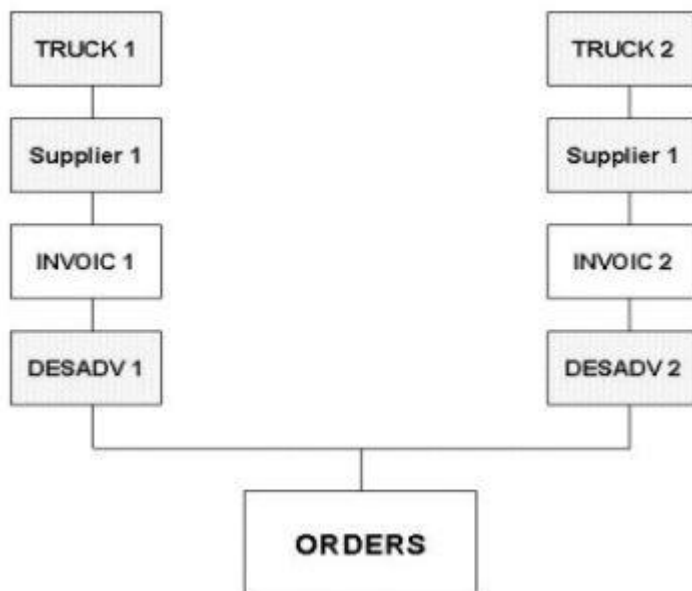
One truck transports consignments of different suppliers. Only one DESADV is sent per supplier. Each of them has references to different purchase orders (ORDERS). Every DESADV will be followed by one commercial invoice (INVOIC) containing a reference to this DESADV.

Einführung



Scenario 3: One despatch advice (DESADV) per truck

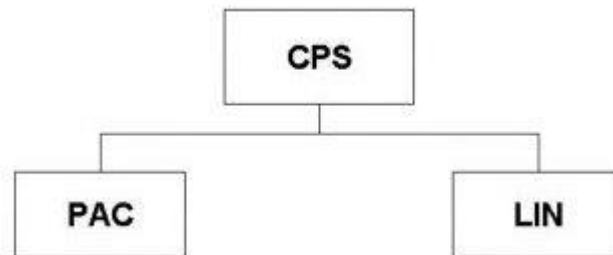
Initiated by one purchase order (ORDERS) different trucks transport one consignment of one supplier. For each truck a DESADV is sent, all referencing to one ORDERS. In the following procedure one commercial invoice (INVOIC) is generated per DESADV.



Sequence of the segment groups SG11 (PAC) and SG17 (LIN)

As the PAC and LIN group are on the same hierarchy level of the detail section different ways of interpretation are possible about the sequence of information relating the packages (PAC) and goods (LIN) in the DESADV.

Einführung



If the detail section provides information about packages and the contained goods the related LIN group should follow immediately the PAC group. The PAC group should NOT be used to describe all packages first and then be followed by the LIN group describing all goods.

Example:

...	
CPS+2+1'	Second consignment level, 1. pallet
PAC+1++201'	One ISO-1-pallet
MEA+PD+AAB+KGM:263.2'	Pallet gross weight 263,2 kg
PCI+39'	Pallet marked with SSCC
GIN+AW+354107280000001051'	SSCC 354107280000001051
PAC+20++CT'	Pallet contains 20 cartons
LIN+1++5410738000152:SRV'	The product is identified by GTIN 5410738000152
QTY+12:20'	Delivered quantity 20
...	

Indication of SSCC

In general the SSCC of the package is to be indicated within the PAC group. The PCI group below LIN primary provides information about the article. An example of the use is 17 = supplier's instructions followed by GIN containing a serial number, batch number, etc.

Description of the consignment hierarchy (CPS)

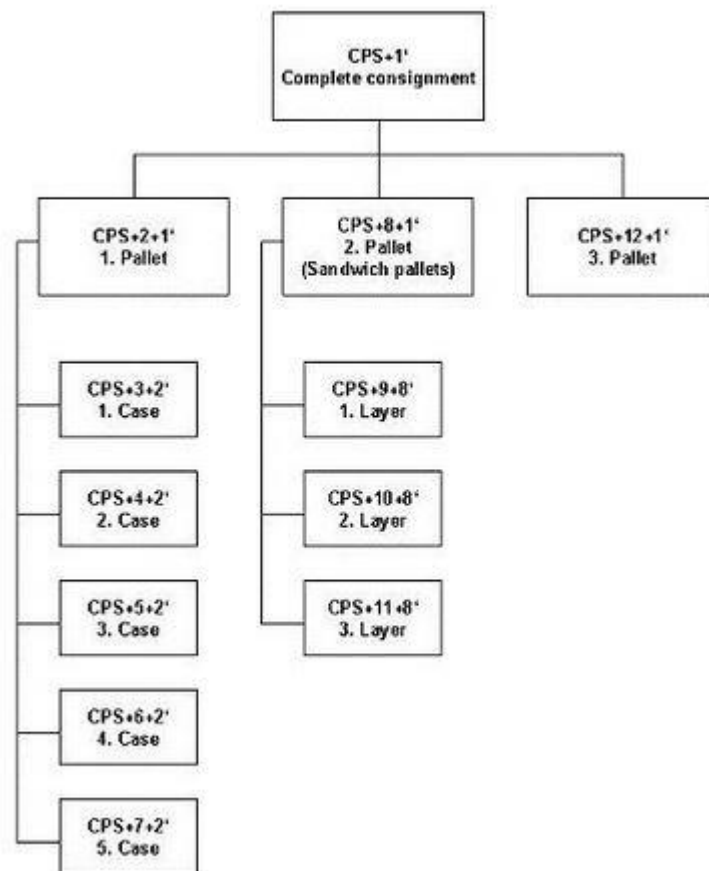
The following example describes a consignment containing of three pallets.

The first pallet contains 5 cartons marked with SSCC.

The second pallet describes a "sandwich pallet" separating single layers with a pallet. Each pallet of each layer is marked with SSCC. The creation of a hierarchy shows one pallet with multiple layers (pallets).

The third pallet contains only one type of article.

Einführung



The CPS segment should describe all despatch units within the hierarchy that are marked with package identification (SSCC).

Example 1
One pallet contains 10 cartons marked with SSCC

Einführung

CPS+1'	Highest package hierarchy
PAC	Pallet contains 10 cartons
PCI	Pallet is marked with SSCC
GIN	SSCC of the pallet
CPS+2+1'	1. Unit
PAC	One carton
PCI	Marked with SSCC
GIN	SSCC of the carton
LIN	Article contained in the carton
QTY	Quantity
CPS+3+1'	2. Unit
PAC	One carton
PCI	Marked with SSCC
GIN	SSCC of the carton
LIN	Article contained in the carton
QTY	Quantity
etc.	

Example 2 A consignment with sandwich pallets

The following example describes a DESADV containing one consignment to be send by a supplier identified by GLN 4005505000001. The buyer is identified by GLN 4300234000002 and the warehouse, where goods shall be delivered to by GLN 4306545000007.

The DESADV with reference number 3387 has been sent on 03.01.2003. Goods are described as a complete consignment of buyers ORDERS 4506102649. The consignment shall be delivered on 07.01.2003.

The DESADV describes a consignment consisting of 4 pallets, each uniquely identified by SSCC. All pallets are 800 mm x 1.200 mm standard pallets.

The first pallet is a sandwich pallet identified by SSCC 340055006337013062. It has 3 layers and 49 boxes. The first layer is identified by SSCC 340055007128841024 with 3 boxes containing a product with GTIN 400550073437. The second layer is identified by SSCC 340055007128855892 with 10 boxes containing a product with GTIN 405500073406. The third layer is identified by SSCC 340055007128841109 with 13 boxes containing a product with GTIN 400550072409 and 23 boxes containing a product with GTIN 4005500073802.

The second pallet is a homogene pallet identified by SSCC 340055007128841031 with 80 boxes containing a product with GTIN 4005500072904.

The third pallet is a homogene pallet identified by SSCC 340055007128869400 with 44 boxes containing a product with GTIN 400550073109.

The fourth pallet is a sandwich pallet identified by SSCC 340055000223707189. It has 3 layers and 52 boxes. The first layer is identified by SSCC 340055007128841109 with 4 boxes containing a product with GTIN 4005500073451. The second layer is identified by SSCC 340055005922028450 with 10 boxes containing a product with GTIN 405500073406. The third layer is identified by SSCC

Einführung

340055007128855540 with 8 boxes containing a product with GTIN 8000270043228 and 30 boxes containing a product with GTIN 4005500333623.

UNH+1+DESADV:D:01B:UN:EAN008'
BGM+351+3387+9'
DTM+137:20030103:102'
DTM+2:20030107:102'
RFF+DQ:80683239'
RFF+ON:4506102649'
NAD+BY+4300234000002::9'
NAD+DP+4306545000007::9'
NAD+SU+4005505000001::9'
CPS+1'
PAC+4++201'
CPS+2+1'
PAC+1+:52+201'
MEA+PD+LAY+H87:3'
PCI+39'
GIN+AW+340055006337013062'
PAC+49+:50+CT'
CPS+3+2'
PAC+1+:52+201'
PCI+39'
GIN+AW+340055007128841024'
PAC+3+:50+CT'
LIN+1+++4005500073437:SRV'
QTY+12:3'
CPS+4+2'
PAC+1+:52+201'
PCI+39'
GIN+AW+ 340055007128855892'
PAC+10+:50+CT'
LIN+2+++4005500073406:SRV'
QTY+12:10'
CPS+5+2'
PAC+1+:52+201'
PCI+39'
GIN+AW+ 340055007128841109'
PAC+36+:50+CT'
LIN+3+++4005500072409:SRV'
QTY+12:13'
LIN+4+++4005500073802:SRV'
QTY+12:23'
CPS+6+1'
PAC+1+:52+201'
PCI+39'
GIN+AW+340055007128841031'
PAC+80+:50+CT'
LIN+5+++4005500072904:SRV'
QTY+12:80'
CPS+7+1'
PAC+1+:52+201'
PCI+39'
GIN+AW+340055007128869400'

Einführung

PAC+44+:50+CT'
LIN+6+++4005500073109:SRV'
QTY+12:44'
CPS+8+1'
PAC+1+:52+201'
MEA+PD+LAY+H87:3'
PCI+39'
GIN+AW+340055000223707189'
PAC+52+:50+CT'
CPS+9+8'
PAC+1+:52+201'
PCI+39'
GIN+AW+340055007128841109'
PAC+4+:50+CT'
LIN+7+++4005500073451:SRV'
QTY+12:4'
CPS+10+8'
PAC+1+:52+201'
PCI+39'
GIN+AW+340055005922028450'
PAC+10+:50+CT'
LIN+8+++4005500073406:SRV'
QTY+12:10'
CPS+11+8'
PAC+1+:52+201'
PCI+39'
GIN+AW+340055007128855540'
PAC+38+:50+CT'
LIN+9+++8000270043228:SRV'
QTY+12:8'
LIN+10+++4005500333623:SRV'
QTY+12:30'
UNT+83+1'
UNZ+1+1'

REFERENCES IN THE MEDIA SECTOR

Supply of goods

The following references are used within the Media sectors to manage the supply of goods:

Einführung

		ORDERS		ORDRSP		DESADV		INVOIC
H e a d i n g S e c t i o n	Order number	BGM DE 1004	⇒	RFF ON	⇒	RFF ON	⇒	RFF ON
	Order number (supplier)	BGM DE 1004	⇒	RFF VN	⇒	RFF VN	⇒	RFF VN
	Customer reference number	RFF CR	⇒	RFF CR	⇒	RFF CR	⇒	RFF CR
	Sellers reference number	RFF SS	⇒	RFF SS	⇒	RFF SS	⇒	RFF SS
	Promotional Deal number	RFF PD	⇒	RFF PD	⇒	RFF PD	⇒	RFF PD
	Purchase order response no.			BGM DE 1004	⇒	RFF POR	⇒	RFF POR
	Despatch advice number					BGM DE 1004	⇒	RFF AAK
	Delivery note number					RFF DQ	⇒	RFF DQ
Sales department number				⇒	RFF SD	⇒	RFF SD	
D e t a i l S e c t i o n	Sales department number	RFF SD		RFF SD	⇒	RFF SD	⇒	RFF SD
	Sellers reference number	RFF SS	⇒	RFF SS	⇒	RFF SS	⇒	RFF SS
	Customer reference number	RFF CR	⇒	RFF CR	⇒	RFF CR	⇒	RFF CR
	Delivery note number					RFF DQ	⇒	RFF DQ
	Promotional Deal number	RFF PD	⇒	RFF PD	⇒	RFF PD	⇒	RFF PD

BGM segments are mandatory. RFF-Segments printed in bold are depending. They must be specified in the detail section as far as a default is not defined in the heading section.

In general the customer reference number (RFF+CR) is depending. If the order is generated by the supplier (agent order, VMI) this reference is replaced by the sellers reference number (RFF+SS). Only one reference number is indicated, either the customer reference number or the sellers reference number.

Einführung

Note to the detail section of the documentation

Within the detail section it is possible to transmit SSCC to identify the consignment and/or consignment lines.

Additionally it is possible to describe the hierarchy of the consignment. Therefore the detail section is presented in two paragraphs:

1. Detail section - Presentation of the entire consignment

This detail section is mandatory in the message, (e.g., description of a pallet).

2. Detail section - Presentation if despatch unit(s)

This detail section can be used in the message, (e.g., description of the cartons on the pallet).

Appendix: Codelist "Media"

To be used in conjunction with DE 3035 = 246 and DE 1131 = MEDIA.

Lable information (ORDERS), FTX:

AF	=	Box number
BF	=	User defined freetext
BI	=	Barcode information
EA	=	Lable type
HA	=	Handling information
NE	=	Customer name
PT	=	Price text
RN	=	Number of storage rack

Einführung

Order qualifier (ORDERS, ORDRSP, DESADV), FTX:			
	ORDERS	ORDRSP	DESADV
DUN = do not record dues (supply only if immediately available)	x	x	x
DUY = record dues (backorder if not immediately available)	x	x	x
ZRN = central settlement, no	x		
ZRY = central settlement, yes	x		
OWN = do not forward order to publisher	x		
OWY = forward order to publisher	x		
RWN = remittance, no	x		
RWY = remittance, yes	x		
ACN = consignment order, no	x		
ACY = consignment order, yes	x		
PKN = backorder, no (until agreed order volume is reached)	x	x	
PKY = backorder, yes (until agreed order volume is reached)	x	x	
TUN = do not supply replacement article	x	x	
TUY = automatic supply replacement article	x	x	
PWN = batch bonus, no	x		
PWY = batch bonus, yes	x		
FSN = order not forwarded to publisher		x	
FSY = order forwarded to publisher		x	

Reasons for return (RETANN, RETINS), CDI:

AC	= Over-shipped
AG	= Delivered too late
ALP	= Change of fixed retail price
AT	= Item not ordered
DME	= Damaged
FLG	= Wrong delivery
VEV	= according contract
X39	= Goods technical failings (inclusive misprints)

Glossary

Order

A purchase order of a buyer basically leads to an order at the supplier (in EANCOM the purchase order corresponds to the order). The purchase order can be generated either by the buyer or in case of CRP by the supplier. It should correspond to an individual purchase order, i.e. a place of delivery and a delivery date should be specified.

Transportation

The transportation (physical movement of goods) by means of transport vessels from one place to another.

Means of transport

Is a unit of a means of transport (ship, plane, train, truck) for transporting goods or people.

Einführung

Transport equipment / transport vessel

The unit in which goods are transported outside buildings by various means of transport: Trailer, swap body, semi-trailer, wagon, container, etc. Unlike the means of transport, the transport vessel does not have its own drive.

Cargo

Is the quantity of goods assembled and transported for one trip in/on a means of transport. The cargo may include one or more consignments.

Consignment

Quantity of goods which is taken over by a consignor at a dispatch point at the same time and transported and unloaded to a consignee at a receiving point and for a delivery date.

Delivery

A delivery is formed on the basis of orders or call-offs and can consist of one or more delivery units, which are transported from the sender of the goods (e.g. supplier, manufacturer) to the recipient of the goods (e.g. retail warehouse). In principle, a delivery can be distributed to different shipments, correspond to a shipment or be part of a shipment. However, in the context of this recommendation, the upper limit for a delivery should be a consignment, i.e. a delivery may correspond to a consignment or be part of a consignment. Delivery includes fulfillment or partial fulfillment of an order.

Shipping Unit

Physical, identifiable, unchangeable and traceable handling unit in the logistics chain. The identification is done via the NVE. This definition also applies to so-called sandwich pallets, which are treated as a handling unit in the logistics chain.

Loading equipment

Means of combining and securing goods to form a loading unit, e.g. pallet, container, mesh box.

Business Terms

Business Term	EANCOM-Segment		Data Element	
	Seg.-No.	Segment SG	DEG	DE
Acknowledgement request	2	UNB		0031
Address for reverse routing	2	UNB	S002	0008
Aggregated level unique identifier (aUI)	143	RFF SG10#3\SG17#1\SG18#12	C506	1154
Application reference	2	UNB		0026
Article group code (Display content)	155	PIA SG10#3\SG17#2	C212	7140
Article long description	117	IMD SG10#3\SG17#1	C273	7008
Article long description (Display content)	161	IMD SG10#3\SG17#2	C273	7008
Articles promotional variant	108	PIA SG10#3\SG17#1	C212	7140
Articles promotional variant	112	PIA SG10#3\SG17#1	C212	7140
Articles promotional variant (Display content)	156	PIA SG10#3\SG17#2	C212	7140
Batch number	109	PIA SG10#3\SG17#1	C212	7140
Batch number	112	PIA SG10#3\SG17#1	C212	7140
Batch number (Display content)	156	PIA SG10#3\SG17#2	C212	7140
Batch number (package)	148	GIN SG10#3\SG17#1\SG22#1\SG23#1	C208	7402
Best before date	146	DTM SG10#3\SG17#1\SG22#1	C507	2380
Blanket order number	21	RFF SG1#13	C506	1154
Business type, code	10	ALI		4183
Buyer's part number (Display content)	155	PIA SG10#3\SG17#2	C212	7140
Buyers additional identification	33	RFF SG2#1\SG3#1	C506	1154
Buyers article number	107	PIA SG10#3\SG17#1	C212	7140
Buyers order number	11	RFF SG1#1	C506	1154
Buyers order number (Detail section articles)	134	RFF SG10#3\SG17#1\SG18#3	C506	1154
Character set	2	UNB	S001	0001
Class of goods	111	PIA SG10#3\SG17#1	C212	7140
Colour identifier	115	IMD SG10#3\SG17#1	C273	7009
Colour name	115	IMD SG10#3\SG17#1	C273	7008
Communication number (Ultimate customer)	61	COM SG2#9\SG4#1	C076	3148
Communication number receiver of goods/services	41	COM SG2#3\SG4#1	C076	3148

Business Terms

Business Term	EANCOM-Segment		Data Element	
	Seg.-No.	Segment SG	DEG	DE
Communication number receiver of goods/services	47	COM SG2#4\SG4#1	C076	3148
Company registration number (German ElektroG)	53	RFF SG2#6\SG3#3	C506	1154
Company registration number (German ElektroG)	135	RFF SG10#3\SG17#1\SG18#4	C506	1154
Component data element separator	1	UNA		UNA1
Consumer unit	159	IMD SG10#3\SG17#2	C273	7009
Contact person	35	CTA SG2#1\SG4#1	C056	3412
Contact person or department (Ultimate customer)	60	CTA SG2#9\SG4#1	C056	3413
Contact person or department receiver of goods/services	40	CTA SG2#3\SG4#1	C056	3413
Contact person or department receiver of goods/services	46	CTA SG2#4\SG4#1	C056	3413
Control value	163	CNT	C270	6066
Country of receiver, coded	42	NAD SG2#4		3207
Creation date	5	DTM	C507	2380
Data element separator	1	UNA		UNA2
Date of availability	128	DTM SG10#3\SG17#1	C507	2380
Decimal notation	1	UNA		UNA3
Delivered quantity	124	QTY SG10#3\SG17#1	C186	6060
Delivery date	7	DTM	C507	2380
Delivery date requested by the outlet	8	DTM	C507	2380
Delivery note	15	RFF SG1#6	C506	1154
Delivery note number	140	RFF SG10#3\SG17#1\SG18#9	C506	1154
Delivery party additional identification	43	RFF SG2#4\SG3#1	C506	1154
Delivery party identification	42	NAD SG2#4	C082	3039
Delivery schedule number	18	RFF SG1#10	C506	1154
Despatch date	6	DTM	C507	2380
Display	118	IMD SG10#3\SG17#1	C273	7009
Document Number	4	BGM	C106	1004
EANCOM	2	UNB		0032
ECO controlling agency	30	RFF SG1#20	C506	1154
ECO controlling agency (article)	142	RFF SG10#3\SG17#1\SG18#11	C506	1154
Economic operator identifier (EO-ID)	34	RFF SG2#1\SG3#2	C506	1154
Economic operator identifier (EO-ID)	44	RFF SG2#4\SG3#2	C506	1154

Business Terms

Business Term	EANCOM-Segment		Data Element	
	Seg.-No.	Segment SG	DEG	DE
Economic operator identifier (EO-ID)	54	RFF SG2#6\SG3#4	C506	1154
Empties (deposit)	160	IMD SG10#3\SG17#2	C273	7009
End of the transmission file, Number of messages or message groups	165	UNZ		0036
Expiry date	147	DTM SG10#3\SG17#1\SG22#1	C507	2380
Facility identifier (F-ID)	45	RFF SG2#4\SG3#3	C506	1154
File creation date	2	UNB	S004	0017
File creation time	2	UNB	S004	0019
Free goods quantity	126	QTY SG10#3\SG17#1	C186	6060
Freight forwarder	55	NAD SG2#7	C082	3039
Freight forwarders additional identification	56	RFF SG2#7\SG3#1	C506	1154
GLN of the ultimate customer	59	NAD SG2#9	C082	3039
Global Individual Asset Identifier (GIAI) (despatch unit/s / articles)	99	GIN SG10#3\SG11#1\SG13#3\SG15#1	C208	7402
Global Individual Asset Identifier (GIAI) (despatch unit/s)	85	GIN SG10#2\SG11#1\SG13#3\SG15#1	C208	7402
Global Returnable Asset Identifier (GRAI) (despatch units)	83	GIN SG10#2\SG11#1\SG13#2\SG15#1	C208	7402
Global Returnable Asset Identifier (GRAI) (despatch units/articles)	97	GIN SG10#3\SG11#1\SG13#2\SG15#1	C208	7402
GPC - Attribute type	114	PIA SG10#3\SG17#1	C212	7140
GPC - Attribute type	158	PIA SG10#3\SG17#2	C212	7140
GPC - Attribute value	114	PIA SG10#3\SG17#1	C212	7140
GPC - Attribute value	158	PIA SG10#3\SG17#2	C212	7140
GPC - GS1 Global Product Classification	113	PIA SG10#3\SG17#1	C212	7140
GPC - GS1 Global Product Classification	157	PIA SG10#3\SG17#2	C212	7140
Gross weight of a package	76	MEA SG10#2\SG11#1	C502	6313
Gross weight of a package (despatch units / articles)	90	MEA SG10#3\SG11#1	C502	6313
Gross weight of a single unit	121	MEA SG10#3\SG17#1	C502	6313
Gross weight of the consignment	70	MEA SG10#1\SG11#1	C502	6313

Business Terms

Business Term	EANCOM-Segment		Data Element	
	Seg.-No.	Segment SG	DEG	DE
Gross weight of the consignment	93	MEA SG10#3\SG11#1	C502	6313
GTIN (package)	149	GIN SG10#3\SG17#1\SG22#1\SG23#2	C208	
GTIN Article identification	102	LIN SG10#3\SG17#1	C212	7140
GTIN Article identification (Display content)	153	LIN SG10#3\SG17#2	C212	7140
Handling instructions	79	HAN SG10#2\SG11#1\SG12#1	C524	4079
Harmonised system	112	PIA SG10#3\SG17#1	C212	7140
Harmonised system (Display content)	156	PIA SG10#3\SG17#2	C212	7140
Height of package	78	MEA SG10#2\SG11#1	C502	6313
Height of package (despatch units / articles)	92	MEA SG10#3\SG11#1	C502	6313
Hierarchy level	73	CPS SG10#2		7166
Hierarchy level (despatch units / articles)	87	CPS SG10#3		7166
Identification of buyer/invoicee	32	NAD SG2#1	C082	3039
Identification of invoicee	36	NAD SG2#2	C082	3039
Identification of ship from place	62	NAD SG2#10	C082	3039
Identification of the receiver of the transmission file	2	UNB	S003	0010
Identification of the sender of the transmission file	2	UNB	S002	0004
Instruction of returns date	29	DTM SG1#19	C507	2380
Interchange control reference, beginnig	2	UNB		0020
Interchange control reference, end	165	UNZ		0020
Invoice number	20	RFF SG1#12	C506	1154
Invoicees additional identification	37	RFF SG2#2\SG3#1	C506	1154
Label type, code	101	PCI SG10#3\SG11#1\SG13#5	C210	7102
Label type, code (Article)	151	PCI SG10#3\SG17#1\SG22#2	C210	7102
Label, description/content	101	PCI SG10#3\SG11#1\SG13#5	C210	7102
Label, description/content (article)	151	PCI SG10#3\SG17#1\SG22#2	C210	7102
Line item number	102	LIN SG10#3\SG17#1		1082
Line item number (Display content)	153	LIN SG10#3\SG17#2		1082

Business Terms

Business Term	EANCOM-Segment		Data Element	
	Seg.-No.	Segment SG	DEG	DE
Line item reference (line level)	141	RFF SG10#3\SG17#1\SG18#10	C506	1154
Logistic service provider	57	NAD SG2#8	C082	3039
Logistic service provider additional identification	58	RFF SG2#8\SG3#1	C506	1154
Marking on package	145	PCI SG10#3\SG17#1\SG22#1		4233
Marking with GIAI (despatch unit/s /articles)	98	PCI SG10#3\SG11#1\SG13#3		4233
Marking with GIAI (despatch unit/s)	84	PCI SG10#2\SG11#1\SG13#3		4233
Marking with GRAI (despatch units)	82	PCI SG10#2\SG11#1\SG13#2		4233
Marking with GRAI (despatch units/articles)	96	PCI SG10#3\SG11#1\SG13#2		4233
Marking with number of a package (consignment)	86	PCI SG10#2\SG11#1\SG13#4		4233
Marking with number of a package (consignment)	100	PCI SG10#3\SG11#1\SG13#4		4233
Marking with SSCC (despatch units / articles)	94	PCI SG10#3\SG11#1\SG13#1		4233
Marking with SSCC (despatch units)	80	PCI SG10#2\SG11#1\SG13#1		4233
Message reference number	3	UNH		0062
Name 1 of the receiver	42	NAD SG2#4	C080	3036
Name 1 of the ultimate cosignee	48	NAD SG2#5	C080	3036
Name 1 of the ultimate customer	59	NAD SG2#9	C080	3036
Name 2 of the receiver	42	NAD SG2#4	C080	3036
Name 2 of the ultimate consignee	48	NAD SG2#5	C080	3036
Name 2 of the ultimate customer	59	NAD SG2#9	C080	3036
Name 3 of the receiver	42	NAD SG2#4	C080	3036
Name 3 of the ultimate consignee	48	NAD SG2#5	C080	3036
Name 3 of the ultimate customer	59	NAD SG2#9	C080	3036
Net weight of a single unit	120	MEA SG10#3\SG17#1	C502	6313
No empties available	125	QTY SG10#3\SG17#1	C186	6060
Number of a package	86	PCI SG10#2\SG11#1\SG13#4	C210	7102
Number of a package	100	PCI SG10#3\SG11#1\SG13#4	C210	7102
Number of connected DESADV	17	RFF SG1#8	C506	1154
Number of instruction for returns	28	RFF SG1#19	C506	1154

Business Terms

Business Term	EANCOM-Segment		Data Element	
	Seg.-No.	Segment SG	DEG	DE
Number of layers (sandwich pallet)	75 MEA	SG10#2\SG11#1	C502	6313
Number of layers (sandwich pallet)	89 MEA	SG10#3\SG11#1	C502	6313
Number of packages (Consignment)	69 PAC	SG10#1\SG11#1		7224
Number of packages (despatch units / articles)	88 PAC	SG10#3\SG11#1		7224
Number of packages (despatch units)	74 PAC	SG10#2\SG11#1		7224
Number of salesdepartment	25 RFF	SG1#17	C506	1154
Number of salesdepartment	132 RFF	SG10#3\SG17#1\SG18#1	C506	1154
Number of transport pallet footprints	72 MEA	SG10#1\SG11#1	C174	6314
Order line item number	134 RFF	SG10#3\SG17#1\SG18#3	C506	1156
Order qualifier	129 FTX	SG10#3\SG17#1	C107	4441
Order reference	22 RFF	SG1#14	C506	1154
Order reference	137 RFF	SG10#3\SG17#1\SG18#6	C506	1154
Order response date	27 DTM	SG1#18	C507	2380
Ordered quantity	127 QTY	SG10#3\SG17#1	C186	6060
Password interchange	2 UNB		S005	0022
Pick up place additional identification	39 RFF	SG2#3\SG3#1	C506	1154
Pick up place identification	38 NAD	SG2#3	C082	3039
Pick-up date	9 DTM		C507	2380
Place of receiver - name of a city (town, village) for addressing purposes.	42 NAD	SG2#4		3164
Place of ultimate consignee - name of a city (town, village) for addressing purposes.	48 NAD	SG2#5		3164
Place of ultimate customer - name of a city (town, village) for addressing purposes.	59 NAD	SG2#9		3164
Postcode of receiver	42 NAD	SG2#4		3251
Postcode of ultimate consignee	48 NAD	SG2#5		3251
Postcode of ultimate customer	59 NAD	SG2#9		3251
Promotion deal number	24 RFF	SG1#16	C506	1154
Promotion deal number (line level)	136 RFF	SG10#3\SG17#1\SG18#5	C506	1154
Purchasing contact department	35 CTA	SG2#1\SG4#1	C056	3413
Quantity content display(s)	162 QTY	SG10#3\SG17#2	C186	6060

Business Terms

Business Term	EANCOM-Segment		Data Element	
	Seg.-No.	Segment SG	DEG	DE
Quantity difference	152	QVR SG10#3\SG17#1\SG25#1	C279	6064
Rack number	139	RFF SG10#3\SG17#1\SG18#8	C506	1154
Reason qualifier	131	FTX SG10#3\SG17#1	C107	4441
Reference to connected DESADV	16	RFF SG1#7	C506	1154
Release character	1	UNA		UNA4
Reserved for future use	1	UNA		UNA5
Routing address	2	UNB	S003	0014
Seal number connected to the equipment	67	SEL SG8#1		9308
Segment terminator	1	UNA		UNA6
Sellers reference number	23	RFF SG1#15	C506	1154
Sellers reference number	138	RFF SG10#3\SG17#1\SG18#7	C506	1154
Sequence of packages within the consignment	68	CPS SG10#1		7164
Sequence of the packages (despatch units / articles)	87	CPS SG10#3		7164
Sequence of the packages (despatch units)	73	CPS SG10#2		7164
Serial number	110	PIA SG10#3\SG17#1	C212	7140
Serial number (Display content)	155	PIA SG10#3\SG17#2	C212	7140
Serial Shipping Container Code (SSCC at article)	95	GIN SG10#3\SG11#1\SG13#1\SG15#1	C208	7402
Serial Shipping Container Code (SSCC)	81	GIN SG10#2\SG11#1\SG13#1\SG15#1	C208	7402
Serialized GTIN (package)	150	GIN SG10#3\SG17#1\SG22#1\SG23#3	C208	7402
Size of fruit/vegetables or textiles	116	IMD SG10#3\SG17#1	C273	7008
Size, identifier	116	IMD SG10#3\SG17#1	C273	7009
Statements on business letters	51	RFF SG2#6\SG3#1	C506	1154
Street and number of receiver	42	NAD SG2#4	C059	3042
Street of ultimate consignee	48	NAD SG2#5	C059	3042
Street of ultimate customer	59	NAD SG2#9	C059	3042
Sub line to describe assortment/display. Listing of included units.	153	LIN SG10#3\SG17#2		1082
Substitute article	105	PIA SG10#3\SG17#1	C212	7140
Supplier identification	50	NAD SG2#6	C082	3039

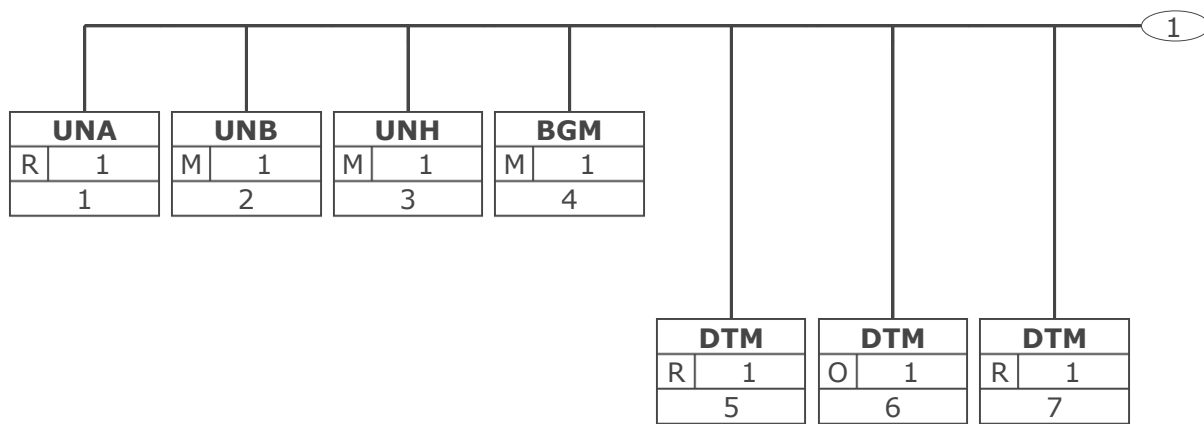
Business Terms

Business Term	EANCOM-Segment		Data Element	
	Seg.-No.	Segment SG	DEG	DE
Suppliers article number	104 PIA	SG10#3\SG17#1	C212	7140
Suppliers article number (Display content)	154 PIA	SG10#3\SG17#2	C212	7140
Suppliers additional identification	52 RFF	SG2#6\SG3#2	C506	1154
Suppliers article number (Display content)	155 PIA	SG10#3\SG17#2	C212	7140
Suppliers article number (secondary indent.)	106 PIA	SG10#3\SG17#1	C212	7140
Suppliers order number	12 RFF	SG1#3	C506	1154
Suppliers purchase order response number	26 RFF	SG1#18	C506	1154
Suppliers reference number for empties return	13 RFF	SG1#4	C506	1154
Syntax version	2 UNB		S001	0002
Test indicator	2 UNB			0035
Total number of segments in the message	164 UNT			0074
Total volume of the consignment	71 MEA	SG10#1\SG11#1	C502	6313
Total weight of the line item	123 MEA	SG10#3\SG17#1	C502	6313
Tracking URL	130 FTX	SG10#3\SG17#1	C108	4440
Transport document number	14 RFF	SG1#5	C506	1154
Transport means	63 TDT	SG6#1	C228	8179
Transport Medium Unit (Pallet, Container,)	119 IMD	SG10#3\SG17#1	C273	7009
Type number	103 PIA	SG10#3\SG17#1	C212	7140
Ultimate consignee additional identification	49 RFF	SG2#5\SG3#1	C506	1154
Ultimate consignee identification	48 NAD	SG2#5	C082	3039
Ultimate customers order line number	133 RFF	SG10#3\SG17#1\SG18#2	C506	1156
Ultimate customers order number	133 RFF	SG10#3\SG17#1\SG18#2	C506	1154
Unit load device	64 EQD	SG8#1		8053
Unit load device identification number	19 RFF	SG1#11	C506	1154
Unit packet level unique identifier (upID)	31 RFF	SG1#21	C506	1154
Unit packet level unique identifier (upID)	31 RFF	SG1#21	C506	1156
Unit packet level unique identifier (upUI)	144 RFF	SG10#3\SG17#1\SG18#13	C506	1154
Volume of a single unit	122 MEA	SG10#3\SG17#1	C502	6313

Business Terms

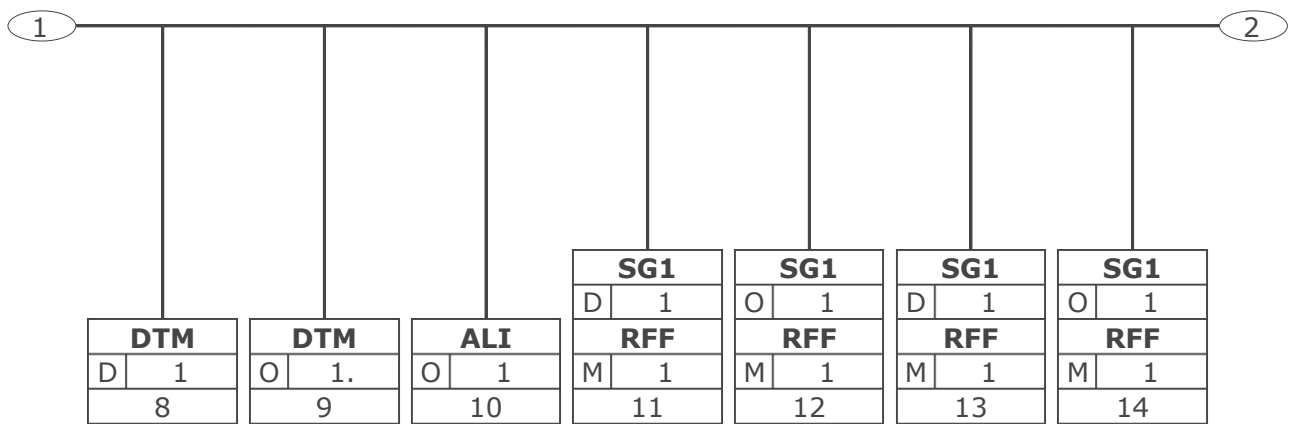
Business Term	EANCOM-Segment		Data Element	
	Seg.-No.	Segment SG	DEG	DE
Volume of equipment	66 MEA	SG8#1	C502	6313
Volume of package	77 MEA	SG10#2\SG11#1	C502	6313
Volume of package	91 MEA	SG10#3\SG11#1	C502	6313
Weight of equipment	65 MEA	SG8#1	C502	6313

Branching Diagram



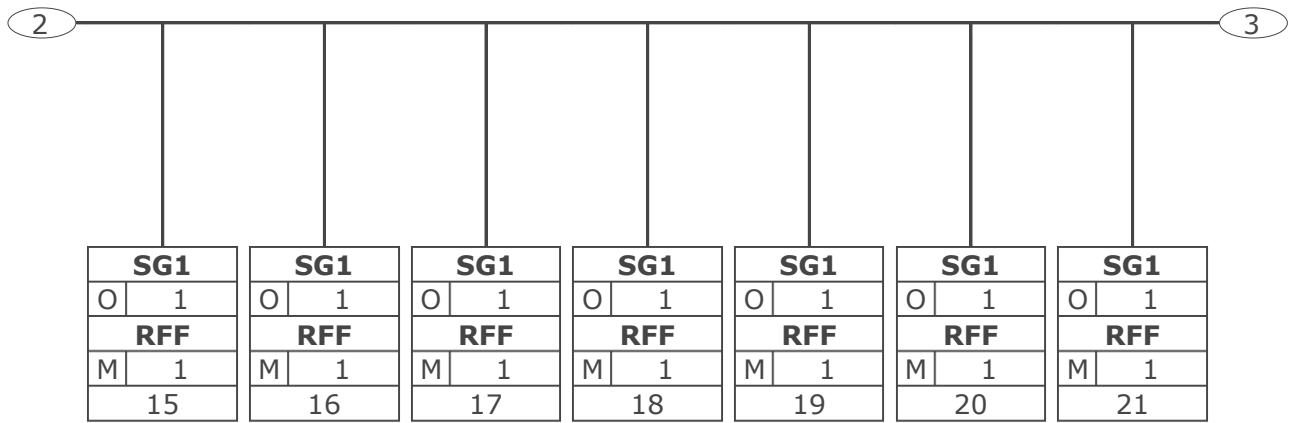
Tag	Tag = Segment/Group Tag
St	MaxOcc St = Status (M=Mandatory, C=Conditional, R=Required, O=Optional, A=Advised, D=Dependent)
No	MaxOcc = Maximum occurrence of the segment/group; No = Consecutive segment number

Branching Diagram



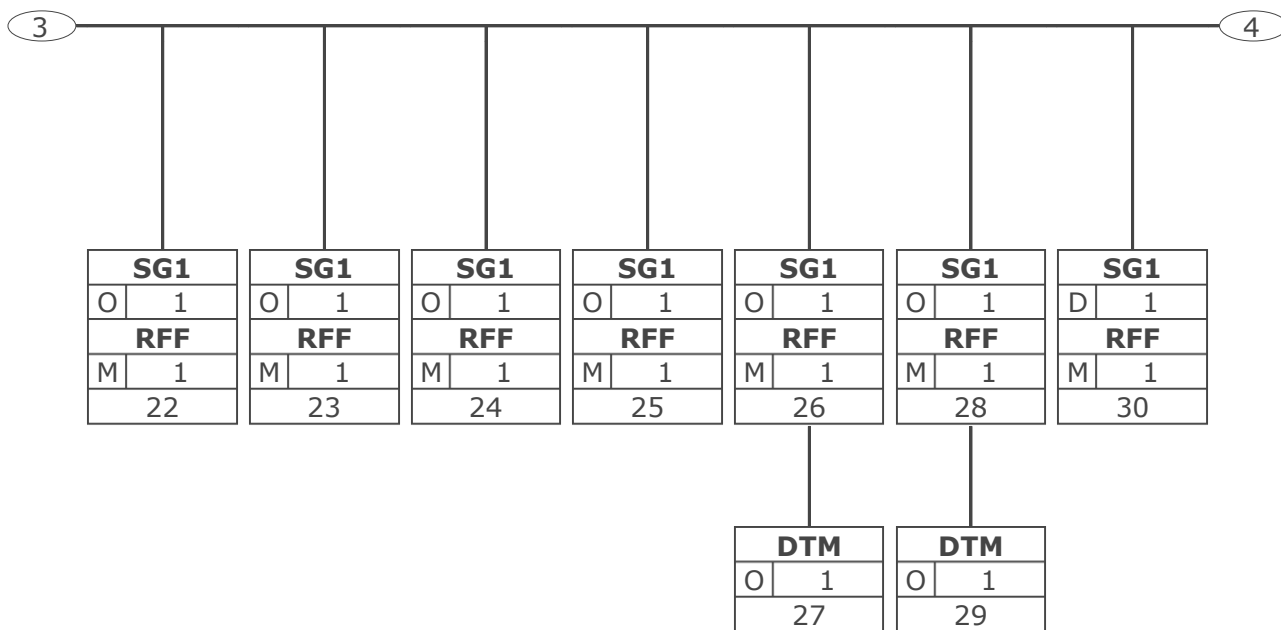
Tag	Tag = Segment/Group Tag
St MaxOcc	St = Status (M=Mandatory, C=Conditional, R=Required, O=Optional, A=Advised, D=Dependent)
No	MaxOcc = Maximum occurrence of the segment/group; No = Consecutive segment number

Branching Diagram



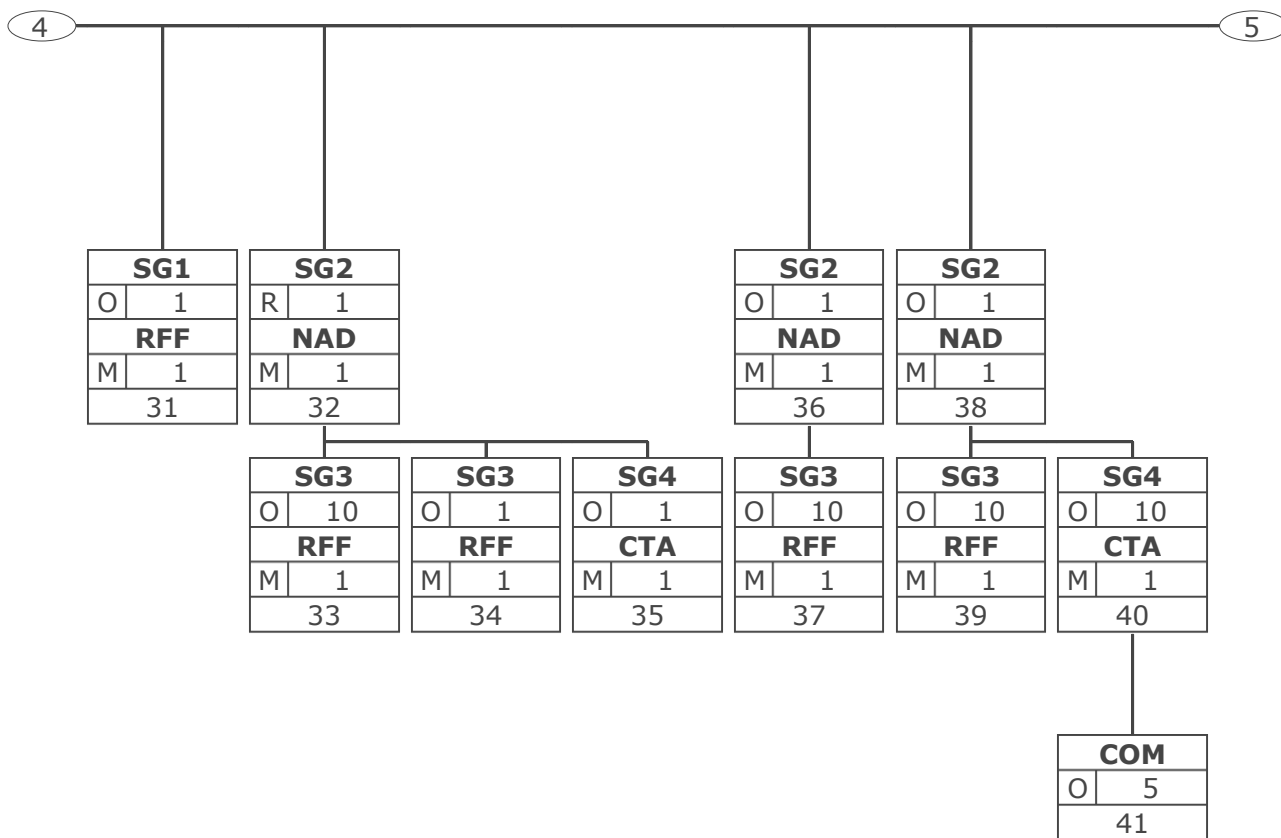
Tag	Tag = Segment/Group Tag
St MaxOcc	St = Status (M=Mandatory, C=Conditional, R=Required, O=Optional, A=Advised, D=Dependent)
No	MaxOcc = Maximum occurrence of the segment/group; No = Consecutive segment number

Branching Diagram



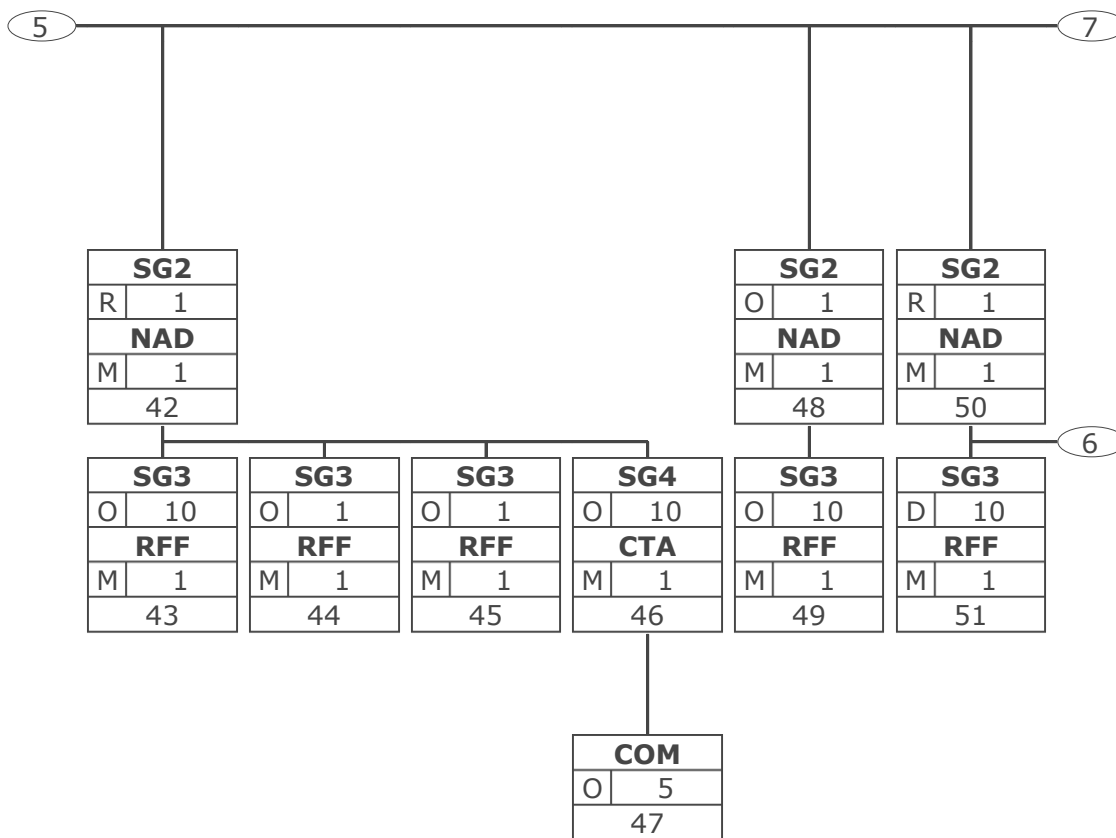
Tag	Tag = Segment/Group Tag
St MaxOcc	St = Status (M=Mandatory, C=Conditional, R=Required, O=Optional, A=Advised, D=Dependent)
No	MaxOcc = Maximum occurrence of the segment/group; No = Consecutive segment number

Branching Diagram



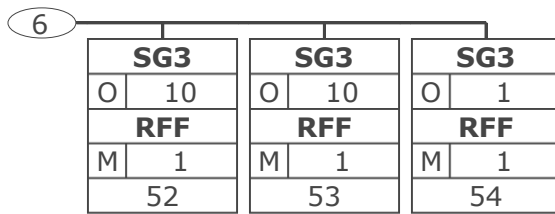
Tag	Tag = Segment/Group Tag
St MaxOcc	St = Status (M=Mandatory, C=Conditional, R=Required, O=Optional, A=Advised, D=Dependent)
No	MaxOcc = Maximum occurrence of the segment/group; No = Consecutive segment number

Branching Diagram



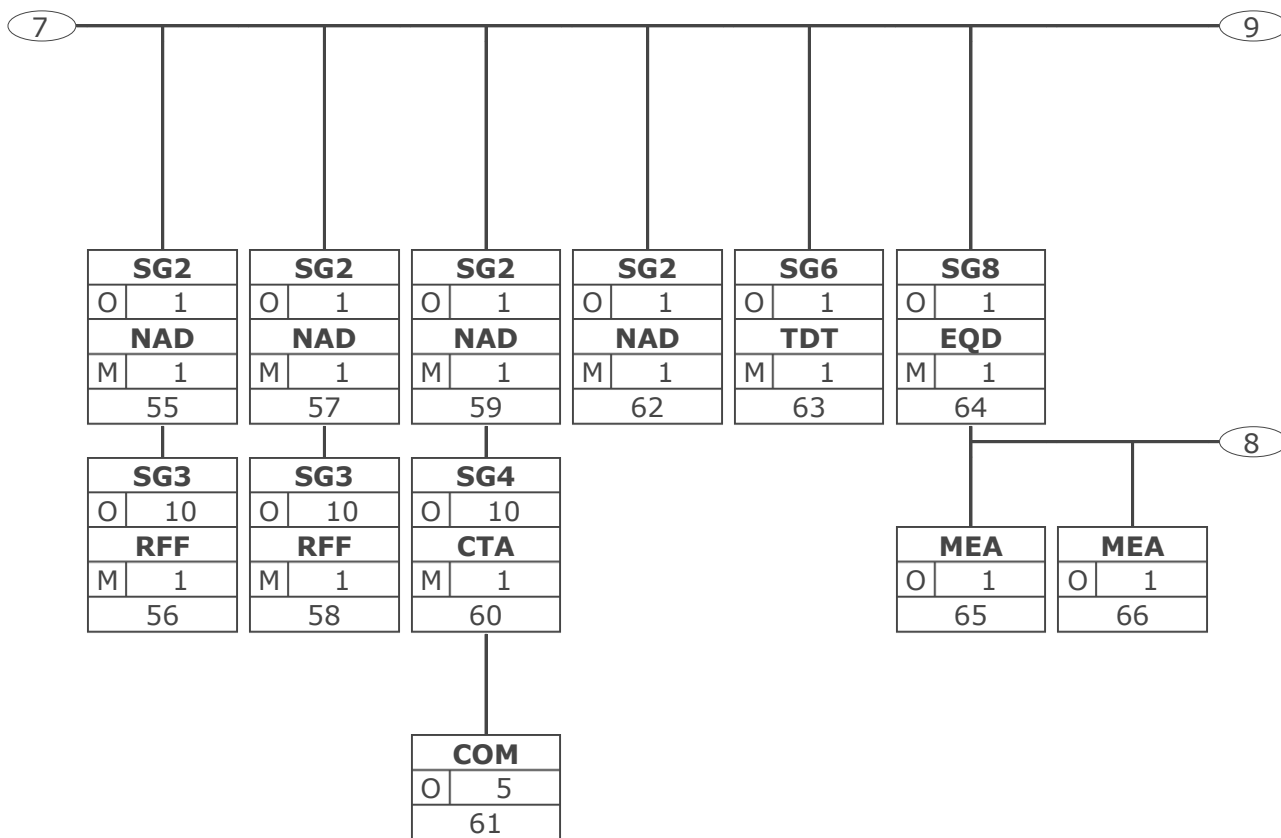
Tag	Tag = Segment/Group Tag
St	MaxOcc St = Status (M=Mandatory, C=Conditional, R=Required, O=Optional, A=Advised, D=Dependent)
No	MaxOcc = Maximum occurrence of the segment/group; No = Consecutive segment number

Branching Diagram



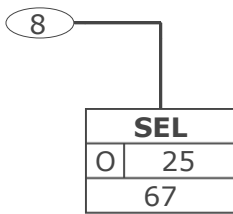
Tag	Tag = Segment/Group Tag
St	MaxOcc St = Status (M=Mandatory, C=Conditional, R=Required, O=Optional, A=Advised, D=Dependent)
No	MaxOcc = Maximum occurrence of the segment/group; No = Consecutive segment number

Branching Diagram



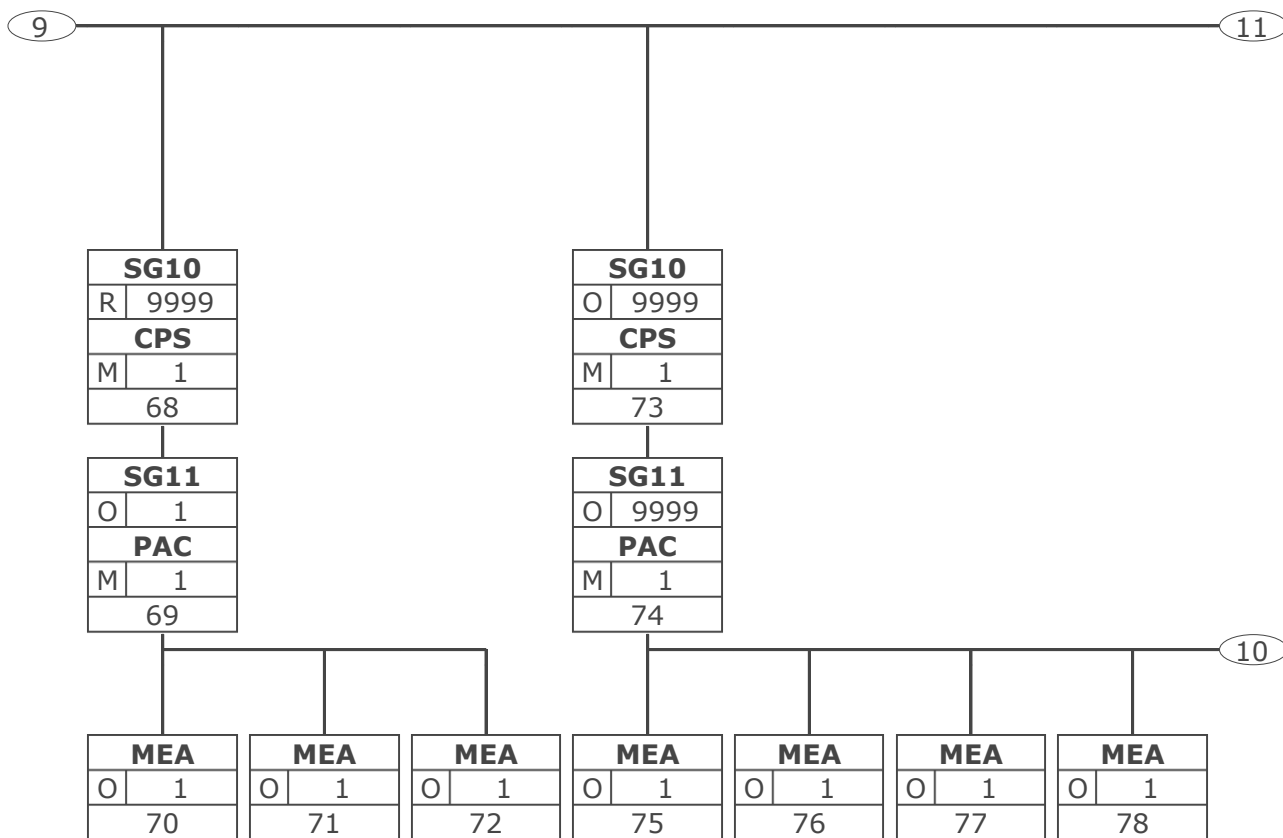
Tag	Tag = Segment/Group Tag
St	MaxOcc St = Status (M=Mandatory, C=Conditional, R=Required, O=Optional, A=Advised, D=Dependent)
No	MaxOcc = Maximum occurrence of the segment/group; No = Consecutive segment number

Branching Diagram



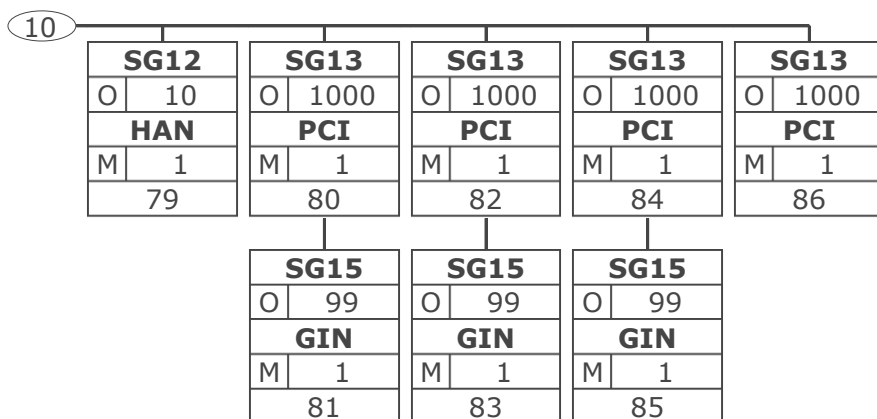
Tag	Tag = Segment/Group Tag
St MaxOcc	St = Status (M=Mandatory, C=Conditional, R=Required, O=Optional, A=Advised, D=Dependent)
No	MaxOcc = Maximum occurrence of the segment/group; No = Consecutive segment number

Branching Diagram



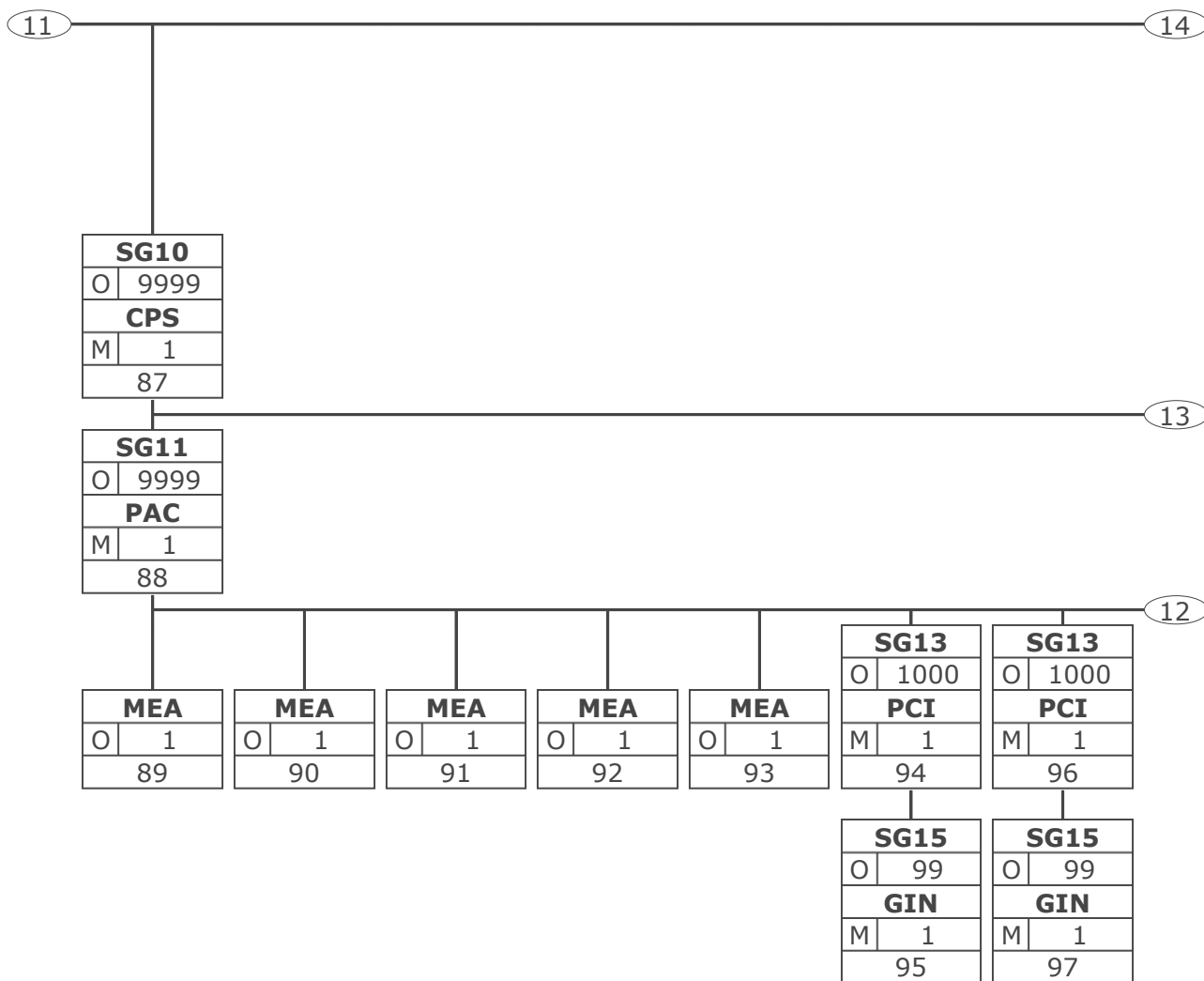
Tag	Tag = Segment/Group Tag
St	St = Status (M=Mandatory, C=Conditional, R=Required, O=Optional, A=Advised, D=Dependent)
No	MaxOcc = Maximum occurrence of the segment/group; No = Consecutive segment number

Branching Diagram



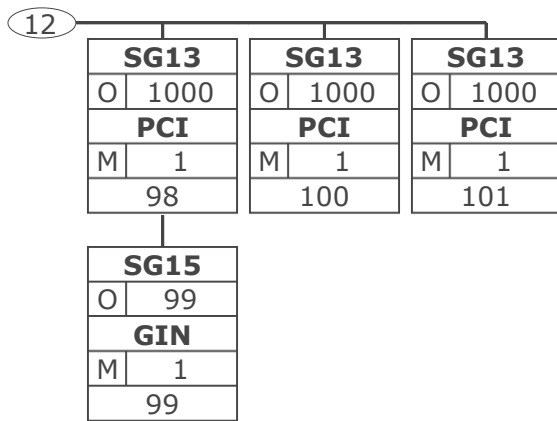
Tag	Tag = Segment/Group Tag
St MaxOcc	St = Status (M=Mandatory, C=Conditional, R=Required, O=Optional, A=Advised, D=Dependent)
No	MaxOcc = Maximum occurrence of the segment/group; No = Consecutive segment number

Branching Diagram



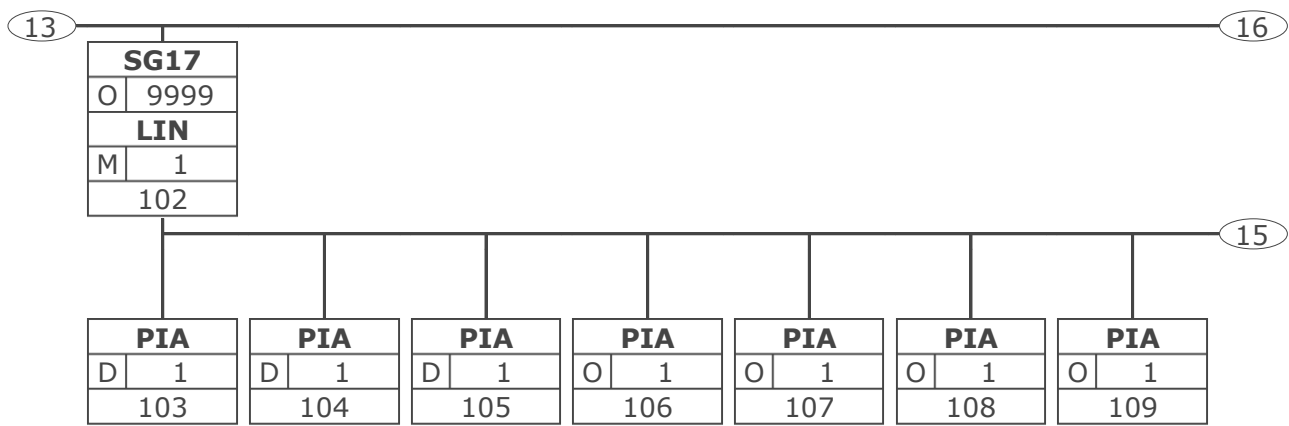
Tag	Tag = Segment/Group Tag
St	MaxOcc St = Status (M=Mandatory, C=Conditional, R=Required, O=Optional, A=Advised, D=Dependent)
No	MaxOcc = Maximum occurrence of the segment/group; No = Consecutive segment number

Branching Diagram



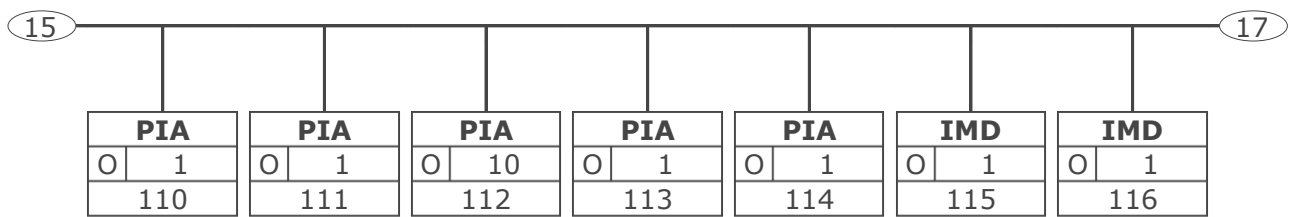
Tag	Tag = Segment/Group Tag
St	MaxOcc St = Status (M=Mandatory, C=Conditional, R=Required, O=Optional, A=Advised, D=Dependent)
No	MaxOcc = Maximum occurrence of the segment/group; No = Consecutive segment number

Branching Diagram



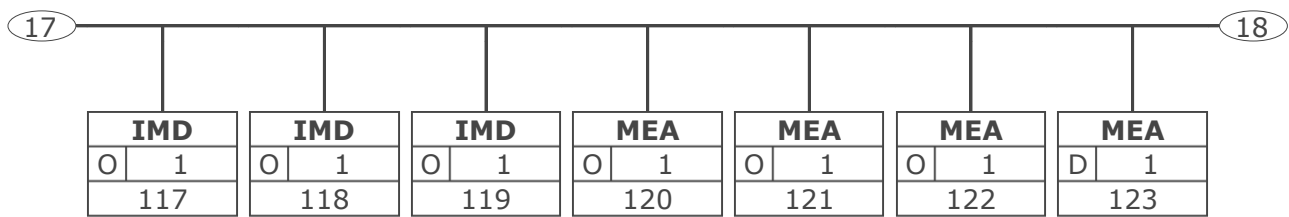
Tag	Tag = Segment/Group Tag
St MaxOcc	St = Status (M=Mandatory, C=Conditional, R=Required, O=Optional, A=Advised, D=Dependent)
No	MaxOcc = Maximum occurrence of the segment/group; No = Consecutive segment number

Branching Diagram



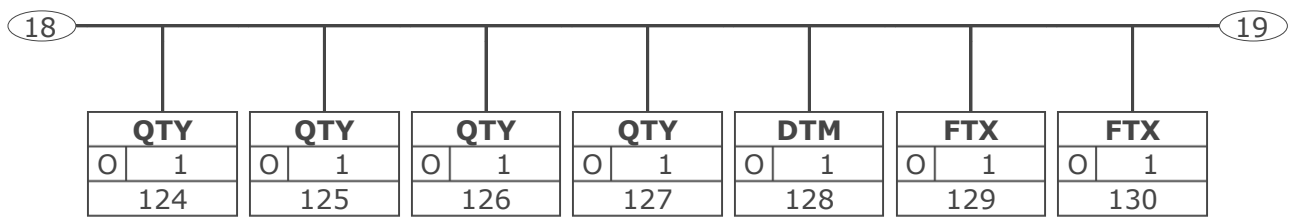
Tag	Tag = Segment/Group Tag
St MaxOcc	St = Status (M=Mandatory, C=Conditional, R=Required, O=Optional, A=Advised, D=Dependent)
No	MaxOcc = Maximum occurrence of the segment/group; No = Consecutive segment number

Branching Diagram



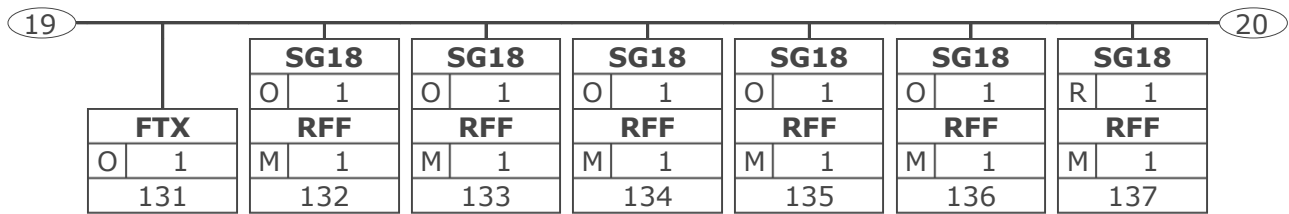
Tag	Tag = Segment/Group Tag
St MaxOcc	St = Status (M=Mandatory, C=Conditional, R=Required, O=Optional, A=Advised, D=Dependent)
No	MaxOcc = Maximum occurrence of the segment/group; No = Consecutive segment number

Branching Diagram



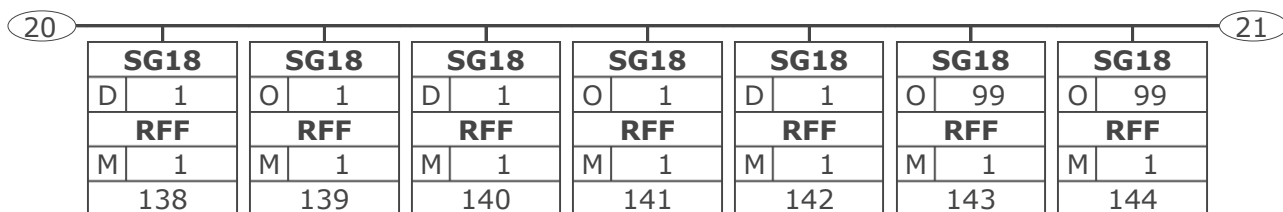
Tag	Tag = Segment/Group Tag
St MaxOcc	St = Status (M=Mandatory, C=Conditional, R=Required, O=Optional, A=Advised, D=Dependent)
No	MaxOcc = Maximum occurrence of the segment/group; No = Consecutive segment number

Branching Diagram



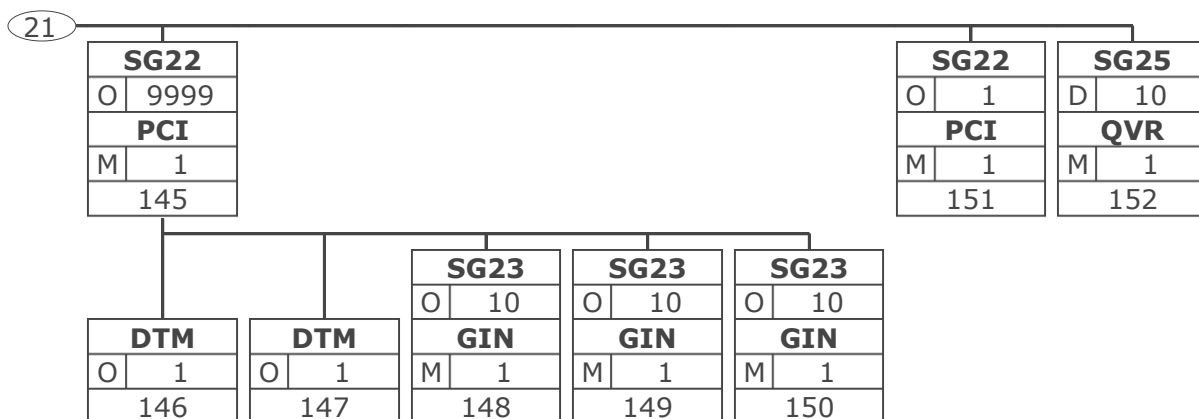
Tag	Tag = Segment/Group Tag
St MaxOcc	St = Status (M=Mandatory, C=Conditional, R=Required, O=Optional, A=Advised, D=Dependent)
No	MaxOcc = Maximum occurrence of the segment/group; No = Consecutive segment number

Branching Diagram



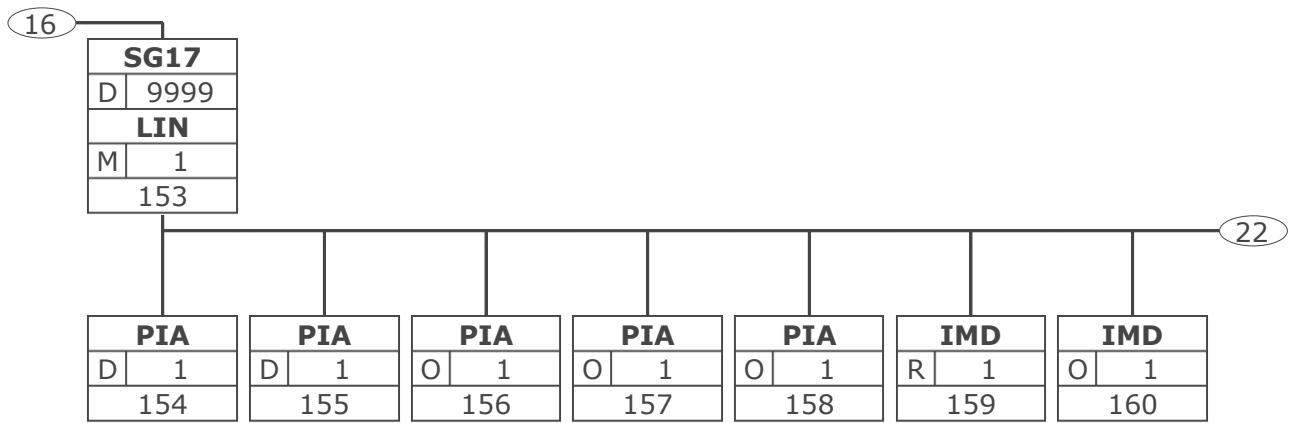
Tag	Tag = Segment/Group Tag
St MaxOcc	St = Status (M=Mandatory, C=Conditional, R=Required, O=Optional, A=Advised, D=Dependent)
No	MaxOcc = Maximum occurrence of the segment/group; No = Consecutive segment number

Branching Diagram



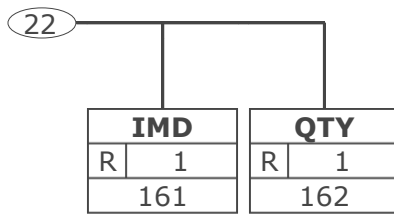
Tag	Tag = Segment/Group Tag
St	St = Status (M=Mandatory, C=Conditional, R=Required, O=Optional, A=Advised, D=Dependent)
No	MaxOcc = Maximum occurrence of the segment/group; No = Consecutive segment number

Branching Diagram



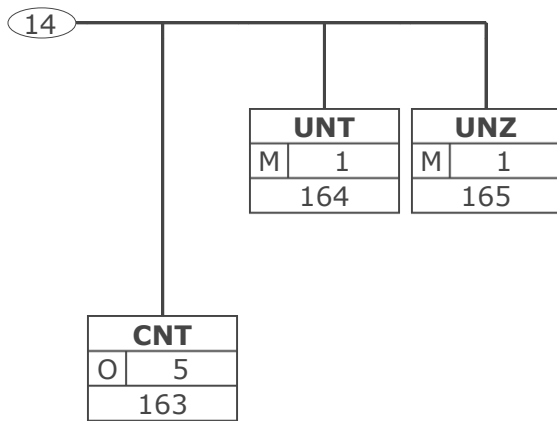
Tag	Tag = Segment/Group Tag
St MaxOcc	St = Status (M=Mandatory, C=Conditional, R=Required, O=Optional, A=Advised, D=Dependent)
No	MaxOcc = Maximum occurrence of the segment/group; No = Consecutive segment number

Branching Diagram



Tag	Tag = Segment/Group Tag
St MaxOcc	St = Status (M=Mandatory, C=Conditional, R=Required, O=Optional, A=Advised, D=Dependent)
No	MaxOcc = Maximum occurrence of the segment/group; No = Consecutive segment number

Branching Diagram



Tag	Tag = Segment/Group Tag
St	MaxOcc St = Status (M=Mandatory, C=Conditional, R=Required, O=Optional, A=Advised, D=Dependent)
No	MaxOcc = Maximum occurrence of the segment/group; No = Consecutive segment number

Message Structure

Seg.	No.	Status	Max Occ	Segment
UNA	1	R	1	Used character set
UNB	2	M	1	Beginning of transmission file
Heading section				
UNH	3	M	1	Beginn of message
BGM	4	M	1	Document Number
DTM	5	R	1	Creation date
DTM	6	O	1	Despatch date
DTM	7	R	1	Delivery date
DTM	8	D	1	Delivery date at outlet
DTM	9	O	1	Pick-up date
ALI	10	O	1	Business Type
SG1		D	1	RFF-DTM
RFF	11	M	1	Buyers order number
SG1		O	1	RFF-DTM
RFF	12	M	1	Suppliers order number
SG1		D	1	RFF-DTM
RFF	13	M	1	Suppliers reference number for empties return
SG1		O	1	RFF-DTM
RFF	14	M	1	Transport document number
SG1		O	1	RFF-DTM
RFF	15	M	1	Delivery note
SG1		O	1	RFF-DTM
RFF	16	M	1	Reference to connected DESADV
SG1		O	1	RFF-DTM
RFF	17	M	1	Number of connected DESADV
SG1		O	1	RFF-DTM
RFF	18	M	1	Delivery schedule number
SG1		O	1	RFF-DTM
RFF	19	M	1	Unit load device identification number
SG1		O	1	RFF-DTM
RFF	20	M	1	Invoice number
SG1		O	1	RFF-DTM
RFF	21	M	1	Blanket order number
SG1		O	1	RFF-DTM
RFF	22	M	1	Order reference
SG1		O	1	RFF-DTM
RFF	23	M	1	Sellers reference
SG1		O	1	RFF-DTM
RFF	24	M	1	Promotion deal number
SG1		O	1	RFF-DTM
RFF	25	M	1	Department reference
SG1		O	1	RFF-DTM
RFF	26	M	1	Suppliers order response number
DTM	27	O	1	Order response date
SG1		O	1	RFF-DTM
RFF	28	M	1	Instruction for return number
DTM	29	O	1	Instruction for return date
SG1		D	1	RFF-DTM
RFF	30	M	1	BIO-ECO Labelling

Max. Occ. = Maximum occurrence of the segment/group, Status: M=Mandatory, C=Conditional, R=Required, O=Optional, A=Advised, D=Dependent

Message Structure

Seg.	No.	Status	Max Occ	Segment
SG1		O	1	RFF-DTM
RFF	31	M	1	Unit packet level unique identifier (upID)
SG2		R	1	NAD-LOC-SG3-SG4
NAD	32	M	1	Identification of buyer/invoicee
SG3		O	10	RFF
RFF	33	M	1	Buyers additional identification
SG3		O	1	RFF
RFF	34	M	1	Economic operator identifier (EO-ID)
SG4		O	1	CTA-COM
CTA	35	M	1	Contact person
SG2		O	1	NAD-LOC-SG3-SG4
NAD	36	M	1	Identification of invoicee
SG3		O	10	RFF
RFF	37	M	1	Invoicees additional identification
SG2		O	1	NAD-LOC-SG3-SG4
NAD	38	M	1	Pick up place identification
SG3		O	10	RFF
RFF	39	M	1	Pick up place additional identification
SG4		O	10	CTA-COM
CTA	40	M	1	Contact person or department receiver of goods/services
COM	41	O	5	Communication number receiver of goods/services
SG2		R	1	NAD-LOC-SG3-SG4
NAD	42	M	1	Delivery party identification
SG3		O	10	RFF
RFF	43	M	1	Delivery party additional identification
SG3		O	1	RFF
RFF	44	M	1	Economic operator identifier (EO-ID)
SG3		O	1	RFF
RFF	45	M	1	Facility identifier (F-ID)
SG4		O	10	CTA-COM
CTA	46	M	1	Contact person or department receiver of goods/services
COM	47	O	5	Communication number receiver of goods/services
SG2		O	1	NAD-LOC-SG3-SG4
NAD	48	M	1	Ultimate consignee identification
SG3		O	10	RFF
RFF	49	M	1	Ultimate consignee additional identification
SG2		R	1	NAD-LOC-SG3-SG4
NAD	50	M	1	Supplier identification
SG3		D	10	RFF
RFF	51	M	1	Statements on business letters
SG3		O	10	RFF
RFF	52	M	1	Suppliers additional identification
SG3		O	10	RFF

Max. Occ. = Maximum occurrence of the segment/group, Status: M=Mandatory, C=Conditional, R=Required, O=Optional, A=Advised, D=Dependent

Message Structure

Seg.	No.	Status	Max Occ	Segment
RFF	53	M	1	Company registration number (German ElektroG)
SG3		O	1	RFF
RFF	54	M	1	Economic operator identifier (EO-ID)
SG2		O	1	NAD-LOC-SG3-SG4
NAD	55	M	1	Freight forwarder
SG3		O	10	RFF
RFF	56	M	1	Freight forwarders additional identification
SG2		O	1	NAD-LOC-SG3-SG4
NAD	57	M	1	Logistic service provider
SG3		O	10	RFF
RFF	58	M	1	Logistic service provider additional identification
SG2		O	1	NAD-LOC-SG3-SG4
NAD	59	M	1	GLN of the ultimate customer
SG4		O	10	CTA-COM
CTA	60	M	1	Contact person or department (Ultimate customer)
COM	61	O	5	Communication number (Ultimate customer)
SG2		O	1	NAD-LOC-SG3-SG4
NAD	62	M	1	Identification of the ship from place
SG6		O	1	TDT-SG7
TDT	63	M	1	Transport means
SG8		O	1	EQD-MEA-SEL
EQD	64	M	1	Unit load device
MEA	65	O	1	Weight of equipment
MEA	66	O	1	Volume of equipment
SEL	67	O	25	Seal number connected to the equipment

Detail section consignment

SG10		R	9999	CPS-FTX-SG11-SG17
CPS	68	M	1	Sequence of packages within the consignment
SG11		O	1	PAC-MEA-QTY-SG12-SG13
PAC	69	M	1	Number of packages
MEA	70	O	1	Gross weight of the consignment
MEA	71	O	1	Total volume of the consignment
MEA	72	O	1	Number of transport pallet footprints

Detail section despatch units

SG10		O	9999	CPS-FTX-SG11-SG17
CPS	73	M	1	Hierarchy level
SG11		O	9999	PAC-MEA-QTY-SG12-SG13
PAC	74	M	1	Number of packages
MEA	75	O	1	Sandwich pallet
MEA	76	O	1	Gross weight of a package
MEA	77	O	1	Volume of package
MEA	78	O	1	Height of package
SG12		O	10	HAN

Max. Occ. = Maximum occurrence of the segment/group, Status: M=Mandatory, C=Conditional, R=Required, O=Optional, A=Advised, D=Dependent

Message Structure

Seg.	No.	Status	Max Occ	Segment
└─ HAN	79	M	1	Handling instructions
└─ SG13		O	1000	PCI-RFF-DTM-SG15
└─ PCI	80	M	1	Marking with SSCC
└─ SG15		O	99	GIN
└─ GIN	81	M	1	Serial Shipping Container Code (SSCC)
└─ SG13		O	1000	PCI-RFF-DTM-SG15
└─ PCI	82	M	1	Marking with GRAI
└─ SG15		O	99	GIN
└─ GIN	83	M	1	GRAI of despatch unit/s
└─ SG13		O	1000	PCI-RFF-DTM-SG15
└─ PCI	84	M	1	Marking with GIAI (despatch unit/s)
└─ SG15		O	99	GIN
└─ GIN	85	M	1	GIAI of despatch unit/s
└─ SG13		O	1000	PCI-RFF-DTM-SG15
└─ PCI	86	M	1	Marking with number of a package

Detail section despatch units / articles

└─ SG10		O	9999	CPS-FTX-SG11-SG17
└─ CPS	87	M	1	Hierarchy level
└─ SG11		O	9999	PAC-MEA-QTY-SG12-SG13
└─ PAC	88	M	1	Number of packages
└─ MEA	89	O	1	Sandwich pallet
└─ MEA	90	O	1	Gross weight of a package
└─ MEA	91	O	1	Volume of a package
└─ MEA	92	O	1	Height of a package
└─ MEA	93	O	1	Gross weight of the consignment
└─ SG13		O	1000	PCI-RFF-DTM-SG15
└─ PCI	94	M	1	Marking with SSCC
└─ SG15		O	99	GIN
└─ GIN	95	M	1	Serial Shipping Container Code (SSCC)
└─ SG13		O	1000	PCI-RFF-DTM-SG15
└─ PCI	96	M	1	Marking with GRAI
└─ SG15		O	99	GIN
└─ GIN	97	M	1	GRAI of despatch unit/s /articles
└─ SG13		O	1000	PCI-RFF-DTM-SG15
└─ PCI	98	M	1	Marking with GIAI (despatch unit/s / articles)
└─ SG15		O	99	GIN
└─ GIN	99	M	1	GIAI of despatch unit/s /articles
└─ SG13		O	1000	PCI-RFF-DTM-SG15
└─ PCI	100	M	1	Marking with number of a package
└─ SG13		O	1000	PCI-RFF-DTM-SG15
└─ PCI	101	M	1	Label information
└─ SG17		O	9999	LIN-PIA-IMD-MEA-QTY-ALI-DLM-DTM-FTX-MOA-SG18-SG20-SG22-SG25
└─ LIN	102	M	1	GTIN Article identification
└─ PIA	103	D	1	Type number empties
└─ PIA	104	D	1	Product identification without GTIN
└─ PIA	105	D	1	Substitute article

Max. Occ. = Maximum occurrence of the segment/group, Status: M=Mandatory, C=Conditional, R=Required, O=Optional, A=Advised, D=Dependent

Message Structure

Seg.	No.	Status	Max Occ	Segment
PIA	106	O	1	Suppliers article number (secondary indent.)
PIA	107	O	1	Buyers article number
PIA	108	O	1	Articles promotional variant
PIA	109	O	1	Batch number
PIA	110	O	1	Serial number
PIA	111	O	1	Class of goods
PIA	112	O	10	Additional possibilities for product identification
PIA	113	O	1	Additional possibilities for product identification GPC (Brick)
PIA	114	O	1	Additional possibilities for product identification GPC (Attributtype, Attribute value)
IMD	115	O	1	Colour identifier
IMD	116	O	1	Size (fresh food/textile)
IMD	117	O	1	Article long description
IMD	118	O	1	Display
IMD	119	O	1	Transport Medium Unit
MEA	120	O	1	Net weight of a single unit
MEA	121	O	1	Gross weight of a single unit
MEA	122	O	1	Volume of a single unit
MEA	123	D	1	Weight of the line item
QTY	124	O	1	Delivered quantity
QTY	125	O	1	No empties
QTY	126	O	1	Free goods quantity
QTY	127	O	1	Ordered quantity
DTM	128	O	1	Date of availability
FTX	129	O	1	Order qualifier
FTX	130	O	1	Tracking URL
FTX	131	O	1	Reason qualifier
SG18		O	1	RFF-DTM
RFF	132	M	1	Department reference
SG18		O	1	RFF-DTM
RFF	133	M	1	Ultimate customers order number
SG18		O	1	RFF-DTM
RFF	134	M	1	Buyers order number
SG18		O	1	RFF-DTM
RFF	135	M	1	Company registration number (German ElektroG)
SG18		O	1	RFF-DTM
RFF	136	M	1	Promotion deal number
SG18		R	1	RFF-DTM
RFF	137	M	1	Order reference
SG18		D	1	RFF-DTM
RFF	138	M	1	Sellers reference
SG18		O	1	RFF-DTM
RFF	139	M	1	Rack number
SG18		D	1	RFF-DTM
RFF	140	M	1	Delivery Note
SG18		O	1	RFF-DTM

Max. Occ. = Maximum occurrence of the segment/group, Status: M=Mandatory, C=Conditional, R=Required, O=Optional, A=Advised, D=Dependent

Message Structure

Seg.	No.	Status	Max Occ	Segment
RFF	141	M	1	Order indicator (Line item reference)
SG18		D	1	RFF-DTM
RFF	142	M	1	BIO-ECO Labelling
SG18		O	99	RFF-DTM
RFF	143	M	1	Aggregated level unique identifier (aUI)
SG18		O	99	RFF-DTM
RFF	144	M	1	Unit packet level unique identifier (upUI)
SG22		O	9999	PCI-DTM-MEA-QTY-SG23-SG24
PCI	145	M	1	Marking on package
DTM	146	O	1	Best before date
DTM	147	O	1	Expiry date
SG23		O	10	GIN-DLM
GIN	148	M	1	Batch number
SG23		O	10	GIN-DLM
GIN	149	M	1	GTIN
SG23		O	10	GIN-DLM
GIN	150	M	1	GTIN
SG22		O	1	PCI-DTM-MEA-QTY-SG23-SG24
PCI	151	M	1	Label information (Article)
SG25		D	10	QVR-DTM
QVR	152	M	1	Quantity difference

2.Detail section - units included in assortment

SG17		D	9999	LIN-PIA-IMD-MEA-QTY-ALI-DLM-DTM-FTX-MOA-SG18-SG20-SG22-SG25
LIN	153	M	1	GTIN Article identifikation
PIA	154	D	1	Product identification without GTIN
PIA	155	D	1	Additional possibilities for product identification
PIA	156	O	1	Additional possibilities for product identification
PIA	157	O	1	Additional possibilities for product identification GPC (Brick)
PIA	158	O	1	Additional possibilities for product identification GPC (Attributtype, Attribute value)
IMD	159	R	1	Consumer unit
IMD	160	O	1	Empties (deposit)
IMD	161	R	1	Article long description
QTY	162	R	1	Quantity content display(s)

Summary section

CNT	163	O	5	Control value
UNT	164	M	1	End of message
UNZ	165	M	1	End of the transmission file

Max. Occ. = Maximum occurrence of the segment/group, Status: M=Mandatory, C=Conditional, R=Required, O=Optional, A=Advised, D=Dependent

Segment Layout

No. Seg	St	Max. Occ.			
1	UNA	R 1	Service string advice		
To define the characters selected for use as delimiters and indicators in the rest of the interchange that follows.					
Business Term	DE	EDIFACT	Format	St	* Description
Component data element separator	UNA1	Component data element separator	an1	M	Default value: ":"
Data element separator	UNA2	Data element separator	an1	M	Default value: "+"
Decimal notation	UNA3	Decimal notation	an1	M	Default value: "."
Release character	UNA4	Release indicator	an1	M	Default value: "?"
Reserved for future use	UNA5	Reserved for future use	an1	M	(Default value: space)
Segment terminator	UNA6	Segment terminator	an1	M	Default value: "' "
Segmentstatus: Mandatory					
The use of the UNA segment is mandatory, if character set "A" (UNB,DE0001) is not used.					
For international EDI the use of character set UNOA is recommended. For national (German) EDI the use of UNOC is reasonable because it contains lower case letters and umlauts.					
Example: UNA:+.? ' '					
The UNA segment contains the default service string characters.					

Max. Occ. = Maximum Occurrence, St = Status, * = Restricted Codes
 Status: M=Mandatory, R=Required, O=Optional, D=Dependent, A=Advised, N=Not used

Segment Layout

No. Seg	St	Max. Occ.				
2	UNB	M 1	Interchange header To start, identify and specify an interchange.			
Business Term	DE	EDIFACT	Format	St	*	Description
	S001	Syntax identifier		M		
Character set	0001	Syntax identifier	a4	M	*	UNOA UN/ECE level A UNOB UN/ECE level B UNOC UN/ECE level C UNOD UN/ECE level D UNOE UN/ECE level E UNOF UN/ECE level F
Syntax version	0002	Syntax version number	n1	M	*	3 Version 3
	S002	Interchange sender		M		
Indentification of the sender of the transmission file	0004	Sender identification	an..35	M		= Global Location Number (GLN)
	0007	Partner identification code qualifier	an..4	R	*	14 GS1
Address for reverse routing	0008	Address for reverse routing	an..14	O		See note
	S003	Interchange recipient		M		
Indentification of the receiver of the transmission file	0010	Recipient identification	an..35	M		= Global Location Number (GLN)
	0007	Partner identification code qualifier	an..4	R	*	14 GS1
Routing address	0014	Routing address	an..14	O		See note
	S004	Date/time of preparation		M		
File creation date	0017	Date of preparation	n6	M		= Dateformat JJMMTT
File creation time	0019	Time of preparation	n4	M		= Timeformat HHMM
Interchange control reference, beginnig	0020	Interchange control reference	an..14	M		= Unique senders reference
	S005	Recipient's reference, password		O		
Password interchange	0022	Recipient's reference/ password	an..14	M		
	0025	Recipient's reference/ password qualifier	an2	O	*	AA Reference BB Password
Application reference	0026	Application reference	an..14	O		Message type if the transmission fole contains only one message type
	0029	Processing priority code	a1	O	*	A Highest priority
Acknowledgement request	0031	Acknowledgement request	n1	O		
EANCOM	0032	Communications agreement ID	an..35	R		= EANCOM... EDIFACT subset identification (see note)
Test indicator	0035	Test indicator	n1	O	*	1 Interchange is a

Max. Occ. = Maximum Occurrence, St = Status, * = Restricted Codes
Status: M=Mandatory, R=Required, O=Optional, D=Dependent, A=Advised, N=Not used

Segment Layout

Business Term	DE	EDIFACT	Format	St	*	Description
						test
<p>Segmentstatus: Mandatory</p> <p>This segment is used to envelope the interchange, as well as to identify both, the party to whom the interchange is sent and the party who has sent the interchange.</p> <p>For international EDI the use of character set UNOA is recommended. For national (German) EDI the use of UNOC is reasonable because it contains lower case letters and umlauts.</p> <p>Note DE 0008: The address for reverse routing is provided by the interchange sender to inform the interchange recipient of the address within the sender's (source) system to which responding interchanges must be sent. It is recommended that the GLN be used for this purpose.</p> <p>Note DE 0014: The routing address is used to identify the receiver, if a provider adds service values for the actual receiver (e.g. consolidated companies, corporate group). The use of the identification system (e.g. GLN) has to be agreed bilaterally.</p> <p>Note DE 0020: This data element must contain a consistent sequential number per interchange between sender and receiver of the transmission.</p> <p>Note DE 0032: This data element is used to identify any underlying agreements which control the exchange of data. Within EANCOM , the identity of such agreements must start with the letters 'EANCOM', the remaining characters within the data element being filled according to bilateral agreements.</p> <p>Example: UNB+UNOC:3+4012345000009:14:4012345000018+4000004000002:14:4000004000099+181013:1043+4711+REF:AA+++EANCOM+1' The EANCOM file 4711 dated 13.10.2018, 10 h 43 is sent by the issuer identified with GLN 4012345000009 to the receiver identified with GLN 4000004000002.</p>						

Max. Occ. = Maximum Occurrence, St = Status, * = Restricted Codes
 Status: M=Mandatory, R=Required, O=Optional, D=Dependent, A=Advised, N=Not used

Segment Layout

Heading section
 Heading section

No. Seg	St	Max. Occ.				
3	UNH	M 1	Message header To head, identify and specify a message.			
Business Term	DE	EDIFACT	Format	St	*	Description
Message reference number	0062	Message reference number	an..14	M		Sender's unique message reference. Sequence number of messages in the interchange. DE 0062 in UNT will have the same value. Generated by the sender.
	S009	Message identifier		M		
	0065	Message type	an..6	M	*	DESADV Despatch advice message
	0052	Message version number	an..3	M	*	D Draft version/ UN/EDIFACT Directory
	0054	Message release number	an..3	M	*	01B Release 2001 - B
	0051	Controlling agency	an..2	M	*	UN UN/CEFACT
	0057	Association assigned code	an..6	R	*	EAN008 GS1 version control number (GS1 Permanent Code)
Segmentstatus: Mandatory						
This segment is used to head, identify and specify a message.						
Example: UNH+ME000001+DESADV:D:01B:UN:EAN008'						
The reference number of the DESADV message is ME000001.						

Max. Occ. = Maximum Occurrence, St = Status, * = Restricted Codes
 Status: M=Mandatory, R=Required, O=Optional, D=Dependent, A=Advised, N=Not used

Segment Layout

Heading section

No. Seg	St	Max. Occ.				
4	BGM	M 1	Beginning of message To indicate the type and function of a message and to transmit the identifying number.			
Business Term	DE	EDIFACT	Format	St	*	Description
	C002	Document/message name		R		
	1001	Document name code	an..3	R	*	351 Despatch advice 345 Ready for despatch advice 729 Returns advice (Old code value: 35E) YA5 Intermediate handling cross docking despatch advice (GS1 Temporary Code) YA6 Pre-packed cross docking [transshipment] despatch advice (GS1 Temporary Code) YA7 Consignment despatch advice (GS1 Temporary Code) YC3 Consumer pickup delivery note (GS1 Permanent Code) YC4 Consumer home delivery note (GS1 Permanent Code)
	1131	Code list identification code	an..17	N		
	3055	Code list responsible agency code	an..3	D	*	9 GS1
	1000	Document name	an..35	O		
	C106	Document/message identification		R		
Document Number	1004	Document identifier	an..35	R		Document number assigned by sender
	1225	Message function code	an..3	R	*	9 Original
Segmentstatus: Mandatory						
This segment is used to indicate the type and function of a message and to transmit the identifying number.						

Max. Occ. = Maximum Occurrence, St = Status, * = Restricted Codes
Status: M=Mandatory, R=Required, O=Optional, D=Dependent, A=Advised, N=Not used

Segment Layout

Heading section

Example: BGM+351::9:X+87441+9'

The document number is 87441.

Max. Occ. = Maximum Occurrence, St = Status, * = Restricted Codes
Status: M=Mandatory, R=Required, O=Optional, D=Dependent, A=Advised, N=Not used

Segment Layout

Heading section

No. Seg	St	Max. Occ.				
5	DTM	R 1	Date/time/period To specify date, and/or time, or period.			
Business Term	DE	EDIFACT	Format	St	*	Description
	C507	Date/time/period		M		
	2005	Date or time or period function code qualifier	an..3	M	*	137 Document/ message date/ time
Creation date	2380	Date or time or period value	an..35	R		
	2379	Date or time or period format code	an..3	R		102 CCYYMMDD 203 CCYYMMDDHHMM
<p>Segmentstatus: Mandatory</p> <p>Identification of the 'Document/message date/time' (code value 137) is mandatory in the invoice message.</p> <p>Example: <code>DTM+137:20181020:102'</code> The message was created on the 20th of October 2018.</p>						

Max. Occ. = Maximum Occurrence, St = Status, * = Restricted Codes
 Status: M=Mandatory, R=Required, O=Optional, D=Dependent, A=Advised, N=Not used

Segment Layout

Heading section

No. Seg	St	Max. Occ.				
6	DTM	O 1	Date/time/period To specify date, and/or time, or period.			
Business Term	DE	EDIFACT	Format	St	*	Description
	C507	Date/time/period		M		
	2005	Date or time or period function code qualifier	an..3	M	*	11 Despatch date and/or time
Despatch date	2380	Date or time or period value	an..35	R		
	2379	Date or time or period format code	an..3	R		102 CCYYMMDD 203 CCYYMMDDHHMM
Segmentstatus: Optional						
Date on which good have been/will be despatched						
Example: DTM+11:20181028:102'						
The despatch date is the 28th of October 2018.						

Max. Occ. = Maximum Occurrence, St = Status, * = Restricted Codes
 Status: M=Mandatory, R=Required, O=Optional, D=Dependent, A=Advised, N=Not used

Segment Layout

Heading section

No. Seg	St	Max. Occ.				
7	DTM	R 1	Date/time/period To specify date, and/or time, or period.			
Business Term	DE	EDIFACT	Format	St	*	Description
	C507	Date/time/period		M		
	2005	Date or time or period function code qualifier	an..3	M	*	17 Delivery date/ time, estimated
Delivery date	2380	Date or time or period value	an..35	R		
	2379	Date or time or period format code	an..3	R		102 CCYYMMDD 203 CCYYMMDDHHMM
Segmentstatus: Mandatory Date on which goods have been/will be delivered. This delivery date relates to the first delivery place. Example: DTM+17:20181028:102' The estimated delivery date is the 28th of October 2018.						

Max. Occ. = Maximum Occurrence, St = Status, * = Restricted Codes
 Status: M=Mandatory, R=Required, O=Optional, D=Dependent, A=Advised, N=Not used

Segment Layout

Heading section

No. Seg	St	Max. Occ.				
8	DTM	D 1	Date/time/period To specify date, and/or time, or period.			
Business Term	DE	EDIFACT	Format	St	*	Description
	C507	Date/time/period		M		
	2005	Date or time or period function code qualifier	an..3	M	*	2 Delivery date/ time, requested
Delivery date requested by the outlet	2380	Date or time or period value	an..35	R		
	2379	Date or time or period format code	an..3	R		102 CCYYMMDD 203 CCYYMMDDHHMM
Segmentstatus: Depending						
In case of cross docking the delivery date requested by the outlet is indicated here.						
Note: In case of differences to the delivery date storage is not allowed, but only a time delay of distribution. Otherwise the central idea of cross docking is ignored.						
Example: DTM+2:20181028:102' The delivery date requested by the outlet is the 28th of October 2018.						

Max. Occ. = Maximum Occurrence, St = Status, * = Restricted Codes
 Status: M=Mandatory, R=Required, O=Optional, D=Dependent, A=Advised, N=Not used

Segment Layout

Heading section

No. Seg	St	Max. Occ.				
9	DTM	O 1.	Date/time/period To specify date, and/or time, or period.			
Business Term	DE	EDIFACT	Format	St	*	Description
	C507	Date/time/period		M		
	2005	Date or time or period function code qualifier	an..3	M	*	200 Pick-up/collection date/time of cargo
Pick-up date	2380	Date or time or period value	an..35	R		
	2379	Date or time or period format code	an..3	R		102 CCYYMMDD 203 CCYYMMDDHHMM
<p>Segmentstatus: Optional</p> <p>This segment is used to specify, where required, requested dates concerning the delivery/pick up of the goods.</p> <p>Example: <code>DTM+200:20181028:102'</code> This example requires the pick up of consignment on the 28th of October 2018.</p>						

Max. Occ. = Maximum Occurrence, St = Status, * = Restricted Codes
 Status: M=Mandatory, R=Required, O=Optional, D=Dependent, A=Advised, N=Not used

Segment Layout

Heading section

No. Seg	St	Max. Occ.				
10	ALI	O 1	Additional information To indicate that special conditions due to the origin, customs preference, fiscal or commercial factors are applicable.			
Business Term	DE	EDIFACT	Format	St	*	Description
	3239	Country of origin name code	an..3	N		
	9213	Duty regime type code	an..3	N		
Business type, code	4183	Special condition code	an..3	R	*	109 Sale or return 66 Delivery without change of ownership (Concessions) 69 Supply for consignment 84 Supply of goods for warehousing for foreign account 90 Supply of good in, standard exchange given rise to payment
Segmentstatus: Optional This segment is only used, to identify the business type. This indication is valid for all articles of the entire order. Example: ALI+++109' Business type Commission						

Max. Occ. = Maximum Occurrence, St = Status, * = Restricted Codes
 Status: M=Mandatory, R=Required, O=Optional, D=Dependent, A=Advised, N=Not used

Segment Layout

Heading section

No.	Seg	St	Max. Occ.				
11	SG1	D	1	RFF-DTM			
	RFF	M	1	Reference			
To specify a reference.							
Business Term		DE	EDIFACT	Format	St	*	Description
		C506	Reference		M		
		1153	Reference code qualifier	an..3	M	*	ON Order number (buyer)
Buyers order number		1154	Reference identifier	an..70	R		
<p>Segmentstatus: Depending</p> <p>This segment can contain a reference to buyers order number. In case of CRP orders this number is not available.</p> <p>Note: SG1 may be repeated max. 10 times.</p> <p>Example: RFF+ON:4711'</p> <p>The message references to buyers order number 4711.</p>							

Max. Occ. = Maximum Occurrence, St = Status, * = Restricted Codes
 Status: M=Mandatory, R=Required, O=Optional, D=Dependent, A=Advised, N=Not used

Segment Layout

Heading section

No.	Seg	St	Max. Occ.				
12	SG1	O	1	RFF-DTM			
	RFF	M	1	Reference			
To specify a reference.							
Business Term		DE	EDIFACT	Format	St	*	Description
		C506	Reference		M		
		1153	Reference code qualifier	an..3	M	*	VN Order number (supplier)
Suppliers order number		1154	Reference identifier	an..70	R		
Segmentstatus: Optional							
This segment is used to provide the (internal) order number of the supplier.							
In case of returns and movement between outlets this information is not available.							
Note: SG1 may be repeated max. 10 times.							
Example: RFF+VN:4712'							
The message references to suppliers order number 4712.							

Max. Occ. = Maximum Occurrence, St = Status, * = Restricted Codes
 Status: M=Mandatory, R=Required, O=Optional, D=Dependent, A=Advised, N=Not used

Segment Layout

Heading section

No.	Seg	St	Max. Occ.				
13	SG1	D	1	RFF-DTM			
	RFF	M	1	Reference To specify a reference.			
Business Term		DE	EDIFACT	Format	St	*	Description
		C506	Reference		M		
		1153	Reference code qualifier	an..3	M	*	SRN Shipment reference number
Suppliers reference number for empties return		1154	Reference identifier	an..70	R		
<p>Segmentstatus: Mandatory if the receiver (industry) issued the return of empties.</p> <p>This segment is used to provide the (internal) reference number of the supplier.</p> <p>Note: SG1 may be repeated max. 10 times.</p> <p>Example: RFF+SRN:4712' The message references to suppliers document number 4712.</p>							

Max. Occ. = Maximum Occurrence, St = Status, * = Restricted Codes
 Status: M=Mandatory, R=Required, O=Optional, D=Dependent, A=Advised, N=Not used

Segment Layout

Heading section

No.	Seg	St	Max. Occ.			
14	SG1	O	1	RFF-DTM		
	RFF	M	1	Reference		
To specify a reference.						
Business Term	DE	EDIFACT	Format	St	*	Description
	C506	Reference		M		
	1153	Reference code qualifier	an..3	M	*	AAS Transport document number
Transport document number	1154	Reference identifier	an..70	R		
Segmentstatus: Optional						
This document can be used to give a reference to the transport document number of the carrier or his agent.						
Note: SG1 may be repeated max. 10 times.						
Example: RFF+AAS:4713'						
The message references to transport document number 4713.						

Max. Occ. = Maximum Occurrence, St = Status, * = Restricted Codes
 Status: M=Mandatory, R=Required, O=Optional, D=Dependent, A=Advised, N=Not used

Segment Layout

Heading section

No.	Seg	St	Max. Occ.				
15	SG1	O	1	RFF-DTM			
	RFF	M	1	Reference			
To specify a reference.							
Business Term		DE	EDIFACT	Format	St	*	Description
		C506	Reference		M		
		1153	Reference code qualifier	an..3	M	*	DQ Delivery note number
Delivery note		1154	Reference identifier	an..70	R		

Segmentstatus: Optional

This segment can be used to reference the delivery note number.

This indication is valid for all articles of the entire despatch advice and can be overwritten in the detail-section.

Note: SG1 may be repeated max. 10 times.

Example: **RFF+DQ:4714'**

The message references to delivery note number 4714.

Max. Occ. = Maximum Occurrence, St = Status, * = Restricted Codes
 Status: M=Mandatory, R=Required, O=Optional, D=Dependent, A=Advised, N=Not used

Segment Layout

Heading section

No.	Seg	St	Max. Occ.			
16	SG1	O	1	RFF-DTM		
	RFF	M	1	Reference		
To specify a reference.						
Business Term	DE	EDIFACT	Format	St	*	Description
	C506	Reference		M		
	1153	Reference code qualifier	an..3	M	*	AAK Despatch advice number
Reference to connected DESADV	1154	Reference identifier	an..70	R		
<p>Segmentstatus: Optional</p> <p>If an ORDERS is split into different consignments (e.g. comission in different stores), repetitions of this segment can be used to show which and how much DESADV messages belong together. DE 1154 provides the document number (BGM, DE 1004) of the related DESADV. The use of this procedure must be bilaterally agreed and tested.</p> <p>Note: SG1 may be repeated max. 10 times.</p> <p>Example: RFF+AAK:4714' The message references to a related DESADV 4714.</p>						

Max. Occ. = Maximum Occurrence, St = Status, * = Restricted Codes
 Status: M=Mandatory, R=Required, O=Optional, D=Dependent, A=Advised, N=Not used

Segment Layout

Heading section

No. Seg	St	Max. Occ.				
17	SG1	O 1	RFF-DTM			
	RFF	M 1	Reference			
To specify a reference.						
Business Term	DE	EDIFACT	Format	St	*	Description
	C506	Reference		M		
	1153	Reference code qualifier	an..3	M	*	ALL Message batch number
Number of connected DESADV	1154	Reference identifier	an..70	R		
<p>Segmentstatus: Optional</p> <p>If an ORDERS is split into different consignments (e.g. comission in different stores), and the use of RFF+AAK is not possible, this segment can be used instead to indicate the number of related DESADV messages. The use of this procedure must be bilaterally agreed and tested.</p> <p>Note: SG1 may be repeated max. 10 times.</p> <p>Example: RFF+ALL:3' Three DESADV are connected.</p>						

Max. Occ. = Maximum Occurrence, St = Status, * = Restricted Codes
 Status: M=Mandatory, R=Required, O=Optional, D=Dependent, A=Advised, N=Not used

Segment Layout

Heading section

No.	Seg	St	Max. Occ.			
18	SG1	O	1	RFF-DTM		
	RFF	M	1	Reference		
To specify a reference.						
Business Term	DE	EDIFACT	Format	St	*	Description
	C506	Reference		M		
	1153	Reference code qualifier	an..3	M	*	AAN Delivery schedule number
Delivery schedule number	1154	Reference identifier	an..70	R		
Segmentstatus: Optional						
This segment can be used to indicate the delivery schedule number, which has been announced with the ORDER message. It helps to allocate the receipt of goods.						
Note: SG1 may be repeated max. 10 times.						
Example: RFF+AAN:4715'						
The message references to delivery schedule number 4715.						

Max. Occ. = Maximum Occurrence, St = Status, * = Restricted Codes
 Status: M=Mandatory, R=Required, O=Optional, D=Dependent, A=Advised, N=Not used

Segment Layout

Heading section

No. Seg	St	Max. Occ.				
19	SG1	O 1	RFF-DTM			
	RFF	M 1	Reference To specify a reference.			
Business Term	DE	EDIFACT	Format	St	*	Description
	C506	Reference		M		
	1153	Reference code qualifier	an..3	M	*	AAQ Unit load device (e.g. container) identification number
Unit load device identification number	1154	Reference identifier	an..70	R		
<p>Segmentstatus: Optional</p> <p>This segment can be used to give information about the unit load device identification number, e.g. Container-no.</p> <p>Note: SG1 may be repeated max. 10 times.</p> <p>Example: RFF+AAQ:5015'</p> <p>The message references to unit load device identification number 5015.</p>						

Max. Occ. = Maximum Occurrence, St = Status, * = Restricted Codes
 Status: M=Mandatory, R=Required, O=Optional, D=Dependent, A=Advised, N=Not used

Segment Layout

Heading section

No.	Seg	St	Max. Occ.				
20	SG1	O	1	RFF-DTM			
	RFF	M	1	Reference To specify a reference.			
Business Term		DE	EDIFACT	Format	St	*	Description
		C506	Reference		M		
		1153	Reference code qualifier	an..3	M	*	IV Invoice number
Invoice number		1154	Reference identifier	an..70	R		
<p>Segmentstatus: Optional</p> <p>This segment can be used to indicate the invoice number when already known.</p> <p>Note: SG1 may be repeated max. 10 times.</p> <p>Example: RFF+IV:4716'</p> <p>The message references to invoice number 4716.</p>							

Max. Occ. = Maximum Occurrence, St = Status, * = Restricted Codes
 Status: M=Mandatory, R=Required, O=Optional, D=Dependent, A=Advised, N=Not used

Segment Layout

Heading section

No.	Seg	St	Max. Occ.				
21	SG1	O	1	RFF-DTM			
	RFF	M	1	Reference To specify a reference.			
Business Term		DE	EDIFACT	Format	St	*	Description
		C506	Reference		M		
		1153	Reference code qualifier	an..3	M	*	BO Blanket order number
Blanket order number		1154	Reference identifier	an..70	R		
<p>Segmentstatus: Optional</p> <p>This RFF segment is used to specify a blanket order number.</p> <p>Note: SG1 may be repeated max. 10 times.</p> <p>Example: RFF+BO:5698' This despatch advise is based on blanket order 5698.</p>							

Max. Occ. = Maximum Occurrence, St = Status, * = Restricted Codes
 Status: M=Mandatory, R=Required, O=Optional, D=Dependent, A=Advised, N=Not used

Segment Layout

Heading section

No. Seg	St	Max. Occ.				
22	SG1	O 1	RFF-DTM			
	RFF	M 1	Reference			
To specify a reference.						
Business Term	DE	EDIFACT	Format	St	*	Description
	C506	Reference		M		
	1153	Reference code qualifier	an..3	M	*	CR Customer reference number
Order reference	1154	Reference identifier	an..70	R		
Segmentstatus: Optional						
This RFF segment is used to indicate a order reference number relevant for the entire despatch advice.						
This indication is valid for all articles of the entire despatch advice and can be overwritten in the detail-section.						
Note: SG1 may be repeated max. 10 times.						
Example: RFF+CR:4711'						
The despatch advice is based on order reference no. 4711.						

Max. Occ. = Maximum Occurrence, St = Status, * = Restricted Codes
 Status: M=Mandatory, R=Required, O=Optional, D=Dependent, A=Advised, N=Not used

Segment Layout

Heading section

No.	Seg	St	Max.	Occ.			
23	SG1	O	1		RFF-DTM		
	RFF	M	1		Reference To specify a reference.		
Business Term		DE	EDIFACT	Format	St	*	Description
		C506	Reference		M		
		1153	Reference code qualifier	an..3	M	*	SS Seller's reference number
Sellers reference number		1154	Reference identifier	an..70	R		
<p>Segmentstatus: Optional</p> <p>This RFF segment is used to indicate a sellers reference number relevant for the entire despatch advice.</p> <p>This indication is valid for all articles of the entire despatch advice and can be overwritten in the detail-section.</p> <p>Note: SG1 may be repeated max. 10 times.</p> <p>Example: RFF+SS:4711 ' The despatch advice is based on sellers reference no. 4711.</p>							

Max. Occ. = Maximum Occurrence, St = Status, * = Restricted Codes
 Status: M=Mandatory, R=Required, O=Optional, D=Dependent, A=Advised, N=Not used

Segment Layout

Heading section

No. Seg	St	Max. Occ.				
24	SG1	O 1	RFF-DTM			
	RFF	M 1	Reference To specify a reference.			
Business Term	DE	EDIFACT	Format	St	*	Description
	C506	Reference		M		
	1153	Reference code qualifier	an..3	M	*	PD Promotion deal number
Promotion deal number	1154	Reference identifier	an..70	R		
<p>Segmentstatus: Optional</p> <p>This RFF segment is used to indicate a promotion deal number relevant for the entire despatch advice.</p> <p>This indication is valid for all articles of the entire despatch advice and can be overwritten in the detail-section.</p> <p>Note: SG1 may be repeated max. 10 times.</p> <p>Example: RFF+PD:4711' The despatch advice is based on promotion deal no. 4711.</p>						

Max. Occ. = Maximum Occurrence, St = Status, * = Restricted Codes
 Status: M=Mandatory, R=Required, O=Optional, D=Dependent, A=Advised, N=Not used

Segment Layout

Heading section

No.	Seg	St	Max. Occ.				
25	SG1	O	1	RFF-DTM			
	RFF	M	1	Reference To specify a reference.			
Business Term		DE	EDIFACT	Format	St	*	Description
		C506	Reference		M		
		1153	Reference code qualifier	an..3	M	*	SD Sales department number
Number of salesdepartment		1154	Reference identifier	an..70	R		
<p>Segmentstatus: Optional</p> <p>This RFF segment is used to indicate a department reference relevant for the entire despatch advice.</p> <p>This indication is valid for all articles of the entire despatch advice and can be overwritten in the detail-section.</p> <p>Note: SG1 may be repeated max. 10 times.</p> <p>Example: RFF+SD:4711' The despatch advice is for department 4711.</p>							

Max. Occ. = Maximum Occurrence, St = Status, * = Restricted Codes
 Status: M=Mandatory, R=Required, O=Optional, D=Dependent, A=Advised, N=Not used

Segment Layout

Heading section

No.	Seg	St	Max. Occ.				
26	SG1	O	1	RFF-DTM			
	RFF	M	1	Reference To specify a reference.			
Business Term		DE	EDIFACT	Format	St	*	Description
		C506	Reference		M		
		1153	Reference code qualifier	an..3	M	*	POR Purchase order response number
Suppliers purchase order response number		1154	Reference identifier	an..70	R		
<p>Segmentstatus: Optional</p> <p>This segment can contain a reference to suppliers order response number</p> <p>Note: SG1 may be repeated max. 10 times.</p> <p>Example: RFF+POR:4711-R' The message references to suppliers order response number 4711-R.</p>							

Max. Occ. = Maximum Occurrence, St = Status, * = Restricted Codes
 Status: M=Mandatory, R=Required, O=Optional, D=Dependent, A=Advised, N=Not used

Segment Layout

Heading section

No. Seg	St	Max. Occ.				
27	SG1	O 1	RFF-DTM			
	DTM	O 1	Date/time/period To specify date, and/or time, or period.			
Business Term	DE	EDIFACT	Format	St	*	Description
	C507	Date/time/period		M		
	2005	Date or time or period function code qualifier	an..3	M	*	171 Reference date/ time
Order response date	2380	Date or time or period value	an..35	R		
	2379	Date or time or period format code	an..3	R		102 CCYYMMDD
Segmentstatus: Optional						
This segment is used to specify any dates related to the references given in the previous RFF segment.						
Example: DTM+171:20180301:102' Suppliers order response is the 01th of March 2018.						

Max. Occ. = Maximum Occurrence, St = Status, * = Restricted Codes
 Status: M=Mandatory, R=Required, O=Optional, D=Dependent, A=Advised, N=Not used

Segment Layout

Heading section

No. Seg	St	Max. Occ.				
28	SG1	O 1	RFF-DTM			
	RFF	M 1	Reference			
To specify a reference.						
Business Term	DE	EDIFACT	Format	St	*	Description
	C506	Reference		M		
	1153	Reference code qualifier	an..3	M	*	AXB Instruction for returns number (Old code value: IRN)
Number of instruction for returns	1154	Reference identifier	an..70	R		
<p>Segmentstatus: Optional</p> <p>This segment can be used to specify the instruction of returns.</p> <p>Example: RFF+AXB:8711' The instruction of returns no. 8711 is valid.</p>						

Max. Occ. = Maximum Occurrence, St = Status, * = Restricted Codes
 Status: M=Mandatory, R=Required, O=Optional, D=Dependent, A=Advised, N=Not used

Segment Layout

Heading section

No. Seg	St	Max. Occ.				
29	SG1	O 1	RFF-DTM			
	DTM	O 1	Date/time/period To specify date, and/or time, or period.			
Business Term	DE	EDIFACT	Format	St	*	Description
	C507	Date/time/period		M		
	2005	Date or time or period function code qualifier	an..3	M	*	171 Reference date/ time
Instruction of returns date	2380	Date or time or period value	an..35	R		
	2379	Date or time or period format code	an..3	R		102 CCYYMMDD
<p>Segmentstatus: Optional</p> <p>This segment is used to specify any dates related to the references given in the previous RFF segment.</p> <p>Example: DTM+171:20180301:102' The date of the instruction of returns is the 01th of March 2018.</p>						

Max. Occ. = Maximum Occurrence, St = Status, * = Restricted Codes
 Status: M=Mandatory, R=Required, O=Optional, D=Dependent, A=Advised, N=Not used

Segment Layout

Heading section

No. Seg	St	Max. Occ.				
30	SG1	D 1	RFF-DTM			
	RFF	M 1	Reference To specify a reference.			
Business Term	DE	EDIFACT	Format	St	*	Description
	C506	Reference		M		
	1153	Reference code qualifier	an..3	M	*	AXO Product certification number (Old code value: XC1)
ECO controlling agency	1154	Reference identifier	an..70	R		
<p>Segmentstatus: Depending</p> <p>This segment services the requirements of EC 834/2007.</p> <p>Note: SG1 may be repeated max. 10 times.</p> <p>Example: RFF+AXO:AT-N-01-BIO'</p> <p>The message contains only BIO products. All of them are certified by the control agency AT-N-01-BIO, as long as no other information is given at line level.</p>						

Max. Occ. = Maximum Occurrence, St = Status, * = Restricted Codes
 Status: M=Mandatory, R=Required, O=Optional, D=Dependent, A=Advised, N=Not used

Segment Layout

1.Detail section - invoiced unit

No.	Seg	St	Max. Occ.				
31	SG1	O	1	RFF-DTM			
	RFF	M	1	Reference To specify a reference.			
Business Term		DE	EDIFACT	Format	St	*	Description
		C506	Reference		M		
		1153	Reference code qualifier	an..3	M	*	TUU Aggregated level unique identifier (upUI) see note
Unit packet level unique identifier (upID)		1154	Reference identifier	an..70	R		
Unit packet level unique identifier (upID)		1156	Document line identifier	an..6	O		
<p>Segmentstatus: Optional</p> <p>This segment is used to reference the unit packet level unique identifier (upID).</p> <p>This segment will only be used, if different deliveries are accumulated on invoice line level.</p> <p>This indication overwrites the information given in the heading-section.</p> <p>Example: RFF+TUU:4714:1'</p> <p>The message references to the unit packet level unique identifier (upID) 4714, line 1.</p>							

Max. Occ. = Maximum Occurrence, St = Status, * = Restricted Codes
 Status: M=Mandatory, R=Required, O=Optional, D=Dependent, A=Advised, N=Not used

Segment Layout

Heading section

No. Seg	St	Max. Occ.				
32	SG2	R 1	NAD-LOC-SG3-SG4			
	NAD	M 1	Name and address			
To specify the name/address and their related function, either by C082 only and/or unstructured by C058 or structured by C080 thru 3207.						
Business Term	DE	EDIFACT	Format	St	*	Description
	3035	Party function code qualifier	an..3	M	*	BY Buyer
	C082	Party identification details		R		
Identification of buyer/invoicee	3039	Party identifier	an..35	M		Global Location Number (GLN)- Format n13
	1131	Code list identification code	an..17	N		
	3055	Code list responsible agency code	an..3	R	*	9 GS1
Segmentstatus: Mandatory						
The buyer/invoicee is identified by GLN.						
Example: NAD+BY+4071615111110: :9'						
The buyer/invoicee is identified by GLN 4071615111110.						

Max. Occ. = Maximum Occurrence, St = Status, * = Restricted Codes
 Status: M=Mandatory, R=Required, O=Optional, D=Dependent, A=Advised, N=Not used

Segment Layout

Heading section

No.	Seg	St	Max. Occ.	
	SG2	R	1	NAD-LOC-SG3-SG4
	SG3	O	10	RFF
33	RFF	M	1	Reference

To specify a reference.

Business Term	DE	EDIFACT	Format	St	*	Description
	C506	Reference		M		
	1153	Reference code qualifier	an..3	M	*	YC1 Additional party identification (GS1 Temporary Code)
Buyers additional identification	1154	Reference identifier	an..70	R		

Segmentstatus: Optional

The RFF segment following the NAD segment can specify an agreed additional identification.

If no functional or organisational differences are necessary within one company only the GLN is used for communication purposes, if applicable the receiver links within the inhouse system. Additional identifications should be agreed only in those cases when different functional entities need to be distinguished at one location.

Example: RFF+YC1:0815'

The additional identification is 0815.

Max. Occ. = Maximum Occurrence, St = Status, * = Restricted Codes
 Status: M=Mandatory, R=Required, O=Optional, D=Dependent, A=Advised, N=Not used

Segment Layout

Heading section

No. Seg	St	Max. Occ.				
SG2	R	1	NAD-LOC-SG3-SG4			
SG3	O	1	RFF			
34 RFF	M	1	Reference			
To specify a reference.						
Business Term	DE	EDIFACT	Format	St	*	Description
	C506	Reference		M		
	1153	Reference code qualifier	an..3	M	*	EID Economic operator identifier (EO-ID) see note
Economic operator identifier (EO-ID)	1154	Reference identifier	an..70	R		
<p>Segmentstatus: Optional</p> <p>The RFF segment following the NAD segment can specify the economic operator identifier (EO-ID) number, e.g. in tobacco traceability.</p> <p>If no functional or organisational differences are necessary within one company only the GLN is used for communication purposes, if applicable the receiver links within the inhouse system. Additional identifications should be agreed only in those cases when different functional entities need to be distinguished at one location.</p> <p>Note to DE 1153: Code value EID: A corresponding work request was made within the framework of the GSMP. Later code adjustments can be made.</p> <p>Example: RFF+EID:0815' The Economic operator identifier (EO-ID) is 0815.</p>						

Max. Occ. = Maximum Occurrence, St = Status, * = Restricted Codes
 Status: M=Mandatory, R=Required, O=Optional, D=Dependent, A=Advised, N=Not used

Segment Layout

Heading section

No. Seg	St	Max. Occ.				
35	SG2	R 1	NAD-LOC-SG3-SG4			
	SG4	O 1	CTA-COM			
	CTA	M 1	Contact information To identify a person or a department to whom communication should be directed.			
Business Term	DE	EDIFACT	Format	St	*	Description
	3139	Contact function code	an..3	R		PD Purchasing contact
	C056	Department or employee details		O		
Purchasing contact department	3413	Department or employee name code	an..17	O		
Contact person	3412	Department or employee name	an..35	O		
Segmentstatus: Optional						
This segment is used to identify the department and/or person within the party specified in the NAD.						
Example: CTA+PD+AG-TI406:Herr Schmidt' Purchasing contact person is Mr. Schmidt						

Max. Occ. = Maximum Occurrence, St = Status, * = Restricted Codes
 Status: M=Mandatory, R=Required, O=Optional, D=Dependent, A=Advised, N=Not used

Segment Layout

Heading section

No. Seg	St	Max. Occ.				
36	SG2	O 1	NAD-LOC-SG3-SG4			
	NAD	M 1	Name and address To specify the name/address and their related function, either by C082 only and/or unstructured by C058 or structured by C080 thru 3207.			
Business Term	DE	EDIFACT	Format	St	*	Description
	3035	Party function code qualifier	an..3	M	*	IV Invoicee
	C082	Party identification details		R		
Identification of invoicee	3039	Party identifier	an..35	M		Global Location Number (GLN)- Format n13
	1131	Code list identification code	an..17	N		
	3055	Code list responsible agency code	an..3	R	*	9 GS1
Segmentstatus: Optional						
The invoicee is identified by GLN if not identical with buyer.						
Example: NAD+IV+4071615111235::9' Invoicee is identified by GLN 4071615111235.						

Max. Occ. = Maximum Occurrence, St = Status, * = Restricted Codes
Status: M=Mandatory, R=Required, O=Optional, D=Dependent, A=Advised, N=Not used

Segment Layout

Heading section

No.	Seg	St	Max. Occ.	
	SG2	O	1	NAD-LOC-SG3-SG4
	SG3	O	10	RFF
37	RFF	M	1	Reference

To specify a reference.

Business Term	DE	EDIFACT	Format	St	*	Description
	C506	Reference		M		
	1153	Reference code qualifier	an..3	M	*	YC1 Additional party identification (GS1 Temporary Code)
Invoictees additional identification	1154	Reference identifier	an..70	R		

Segmentstatus: Optional

The RFF segment following the NAD segment can specify an agreed additional identification.

If no functional or organisational differences are necessary within one company only the GLN is used for communication purposes, if applicable the receiver links within the inhouse system. Additional identifications should be agreed only in those cases when different functional entities need to be distinguished at one location.

Example: RFF+YC1:0847'

The additional identification is 0847.

Max. Occ. = Maximum Occurrence, St = Status, * = Restricted Codes
 Status: M=Mandatory, R=Required, O=Optional, D=Dependent, A=Advised, N=Not used

Segment Layout

Heading section

No. Seg	St	Max. Occ.				
38	SG2	O 1	NAD-LOC-SG3-SG4			
	NAD	M 1	Name and address			
To specify the name/address and their related function, either by C082 only and/or unstructured by C058 or structured by C080 thru 3207.						
Business Term	DE	EDIFACT	Format	St	*	Description
	3035	Party function code qualifier	an..3	M	*	PW Despatch party
	C082	Party identification details		R		
Pick up place identification	3039	Party identifier	an..35	M		Global Location Number (GLN) - Format n13
	1131	Code list identification code	an..17	N		
	3055	Code list responsible agency code	an..3	R	*	9 GS1
Segmentstatus: Optional						
The existence of this segment indicates the pick up of goods by a third party.						
The collection place is identified by Global Location Number (GLN).						
Example: NAD+PW+4071615111250::9' The collection place is identified by GLN 4071615111250.						

Max. Occ. = Maximum Occurrence, St = Status, * = Restricted Codes
 Status: M=Mandatory, R=Required, O=Optional, D=Dependent, A=Advised, N=Not used

Segment Layout

Heading section

No.	Seg	St	Max. Occ.	
	SG2	O	1	NAD-LOC-SG3-SG4
	SG3	O	10	RFF
39	RFF	M	1	Reference

To specify a reference.

Business Term	DE	EDIFACT	Format	St	*	Description
	C506	Reference		M		
	1153	Reference code qualifier	an..3	M	*	YC1 Additional party identification (GS1 Temporary Code)
Pick up place additional identification	1154	Reference identifier	an..70	R		

Segmentstatus: Optional

The RFF segment following the NAD segment can specify an agreed additional identification.

If no functional or organisational differences are necessary within one company only the GLN is used for communication purposes, if applicable the receiver links within the inhouse system. Additional identifications should be agreed only in those cases when different functional entities need to be distinguished at one location.

Example: RFF+YC1:0808'

The additional identification is 0808.

Max. Occ. = Maximum Occurrence, St = Status, * = Restricted Codes
 Status: M=Mandatory, R=Required, O=Optional, D=Dependent, A=Advised, N=Not used

Segment Layout

Heading section

No. Seg	St	Max. Occ.				
40	SG2	O 1	NAD-LOC-SG3-SG4			
	SG4	O 10	CTA-COM			
	CTA	M 1	Contact information To identify a person or a department to whom communication should be directed.			
Business Term	DE	EDIFACT	Format	St	*	Description
	3139	Contact function code	an..3	R		PD Purchasing contact
	C056	Department or employee details		O		
Contact person or department receiver of goods/services	3413	Department or employee name code	an..17	R		
Segmentstatus: Optional						
For possible checkback this segment can provide a person to turn to.						
Example: CTA+PD+Claus Früh' Contact person is Claus Früh.						

Max. Occ. = Maximum Occurrence, St = Status, * = Restricted Codes
 Status: M=Mandatory, R=Required, O=Optional, D=Dependent, A=Advised, N=Not used

Segment Layout

Heading section

No. Seg	St	Max. Occ.				
41	SG2	O 1	NAD-LOC-SG3-SG4			
	SG4	O 10	CTA-COM			
	COM	O 5	Communication contact			
To identify a communication number of a department or a person to whom communication should be directed.						
Business Term	DE	EDIFACT	Format	St	*	Description
	C076	Communication contact		M		
Communication number receiver of goods/services	3148	Communication address identifier	an..51	M		
	3155	Communication address code qualifier	an..3	M		EM Electronic mail FX Fax TE Telephone XF X.400
Segmentstatus: Optional						
Communication contact of the person to turn to.						
Example: COM+kölsch@früh.de:EM' E-mail of Mr. Früh is kölsch@früh.de						

Max. Occ. = Maximum Occurrence, St = Status, * = Restricted Codes
 Status: M=Mandatory, R=Required, O=Optional, D=Dependent, A=Advised, N=Not used

Segment Layout

Heading section

No. Seg	St	Max. Occ.				
42	SG2	R 1	NAD-LOC-SG3-SG4			
	NAD	M 1	Name and address			
To specify the name/address and their related function, either by C082 only and/or unstructured by C058 or structured by C080 thru 3207.						
Business Term	DE	EDIFACT	Format	St	*	Description
	3035	Party function code qualifier	an..3	M	*	DP Delivery party
	C082	Party identification details		A		
Delivery party identification	3039	Party identifier	an..35	M		Global Location Number (GLN) - Format n13
	1131	Code list identification code	an..17	N		
	3055	Code list responsible agency code	an..3	R	*	9 GS1
	C058	Name and address		N		
	3124	Name and address description	an..35			
	C080	Party name		D		
Name 1 of the receiver	3036	Party name	an..35	M		
Name 2 of the receiver	3036	Party name	an..35	D		
Name 3 of the receiver	3036	Party name	an..35	D		
	C059	Street		D		
Street and number of receiver	3042	Street and number or post office box identifier	an..35	M		
Place of receiver - name of a city (town, village) for addressing purposes.	3164	City name	an..35	D		
	C819	Country sub-entity details		D		
	3229	Country sub-entity name code	an..9	O		Identification of the name of sub-entities (state, province) defined by appropriate governmental agencies
Postcode of receiver	3251	Postal identification code	an..17	D		
Country of receiver, coded	3207	Country name code	an..3	D		
Segmentstatus: Mandatory						
This NAD segment always identifies the first delivery place.						
DE 3039: The delivery party is identified by GLN. Party name and address in clear text may only be used, if a GLN is not (yet) available.						
If the delivery party is not known (e.g. pick up by third party), the GLN of the buyer is indicated in DE 3039.						

Max. Occ. = Maximum Occurrence, St = Status, * = Restricted Codes
 Status: M=Mandatory, R=Required, O=Optional, D=Dependent, A=Advised, N=Not used

Segment Layout

Heading section

Example: NAD+DP+4089876511118::9++Warenempfänger-Name 1:Warenempfänger-Name 2:Warenempfänger-Name 3+Industriestr.13+Köln++50825+DE'
The delivery party is identified by GLN 4089876511118.

Max. Occ. = Maximum Occurrence, St = Status, * = Restricted Codes
Status: M=Mandatory, R=Required, O=Optional, D=Dependent, A=Advised, N=Not used

Segment Layout

Heading section

No.	Seg	St	Max. Occ.	
	SG2	R	1	NAD-LOC-SG3-SG4
	SG3	O	10	RFF
43	RFF	M	1	Reference

To specify a reference.

Business Term	DE	EDIFACT	Format	St	*	Description
	C506	Reference		M		
	1153	Reference code qualifier	an..3	M	*	YC1 Additional party identification (GS1 Temporary Code)
Delivery party additional identification	1154	Reference identifier	an..70	R		

Segmentstatus: Optional

The RFF segment following the NAD segment can specify an agreed additional identification.

If no functional or organisational differences are necessary within one company only the GLN is used for communication purposes, if applicable the receiver links within the inhouse system. Additional identifications should be agreed only in those cases when different functional entities need to be distinguished at one location.

Example: RFF+YC1:0816'

The additional identification is 0816.

Max. Occ. = Maximum Occurrence, St = Status, * = Restricted Codes
 Status: M=Mandatory, R=Required, O=Optional, D=Dependent, A=Advised, N=Not used

Segment Layout

Heading section

No.	Seg	St	Max. Occ.	
44	SG2	R	1	NAD-LOC-SG3-SG4
	SG3	O	1	RFF
	RFF	M	1	Reference

To specify a reference.

Business Term	DE	EDIFACT	Format	St	*	Description
	C506	Reference		M		
	1153	Reference code qualifier	an..3	M	*	EID Economic operator identifier (EO-ID) see note
Economic operator identifier (EO-ID)	1154	Reference identifier	an..70	R		

Segmentstatus: Optional

The RFF segment following the NAD segment can specify the economic operator identifier (EO-ID) number, e.g. in tobacco traceability.

If no functional or organisational differences are necessary within one company only the GLN is used for communication purposes, if applicable the receiver links within the inhouse system. Additional identifications should be agreed only in those cases when different functional entities need to be distinguished at one location.

Note to DE 1153:

Code value EID: A corresponding work request was made within the framework of the GSMP. Later code adjustments can be made.

Example: **RFF+EID:0815'**

The Economic operator identifier (EO-ID) is 0815.

Max. Occ. = Maximum Occurrence, St = Status, * = Restricted Codes
Status: M=Mandatory, R=Required, O=Optional, D=Dependent, A=Advised, N=Not used

Segment Layout

Heading section

No.	Seg	St	Max. Occ.			
45	SG2	R	1	NAD-LOC-SG3-SG4		
	SG3	O	1	RFF		
	RFF	M	1	Reference To specify a reference.		
Business Term		DE	EDIFACT	Format	St	* Description
		C506	Reference		M	
		1153	Reference code qualifier	an..3	M	* FID Facility identifier (F-ID) see note
Facility identifier (F-ID)		1154	Reference identifier	an..70	R	
<p>Segmentstatus: Optional</p> <p>The RFF segment following the NAD segment can specify the Facility identifier (F-ID) number, e.g. in tobacco traceability.</p> <p>If no functional or organisational differences are necessary within one company only the GLN is used for communication purposes, if applicable the receiver links within the inhouse system. Additional identifications should be agreed only in those cases when different functional entities need to be distinguished at one location.</p> <p>Note to DE 1153: Code value FID: A corresponding work request was made within the framework of the GSMP. Later code adjustments can be made.</p> <p>Example: RFF+FID:0815' The Facility identifier (F-ID) is 0815.</p>						

Max. Occ. = Maximum Occurrence, St = Status, * = Restricted Codes
 Status: M=Mandatory, R=Required, O=Optional, D=Dependent, A=Advised, N=Not used

Segment Layout

Heading section

No. Seg	St	Max. Occ.				
46	SG2	R 1	NAD-LOC-SG3-SG4			
	SG4	O 10	CTA-COM			
	CTA	M 1	Contact information To identify a person or a department to whom communication should be directed.			
Business Term	DE	EDIFACT	Format	St	*	Description
	3139	Contact function code	an..3	R		PD Purchasing contact
	C056	Department or employee details		O		
Contact person or department receiver of goods/services	3413	Department or employee name code	an..17	R		
Segmentstatus: Optional						
For possible checkback this segment can provide a person to turn to.						
Example: CTA+PD+Claus Früh' Contact person is Claus Früh.						

Max. Occ. = Maximum Occurrence, St = Status, * = Restricted Codes
 Status: M=Mandatory, R=Required, O=Optional, D=Dependent, A=Advised, N=Not used

Segment Layout

Heading section

No. Seg	St	Max. Occ.				
47	SG2	R 1	NAD-LOC-SG3-SG4			
	SG4	O 10	CTA-COM			
	COM	O 5	Communication contact			
To identify a communication number of a department or a person to whom communication should be directed.						
Business Term	DE	EDIFACT	Format	St	*	Description
	C076	Communication contact		M		
Communication number receiver of goods/services	3148	Communication address identifier	an..51	M		
	3155	Communication address code qualifier	an..3	M		EM Electronic mail FX Fax TE Telephone XF X.400
Segmentstatus: Optional						
Communication contact of the person to turn to.						
Example: COM+kölsch@früh.de:EM' E-mail of Mr. Früh is kölsch@früh.de						

Max. Occ. = Maximum Occurrence, St = Status, * = Restricted Codes
 Status: M=Mandatory, R=Required, O=Optional, D=Dependent, A=Advised, N=Not used

Segment Layout

Heading section

No. Seg	St	Max. Occ.				
48	SG2	O 1	NAD-LOC-SG3-SG4			
	NAD	M 1	Name and address			
To specify the name/address and their related function, either by C082 only and/or unstructured by C058 or structured by C080 thru 3207.						
Business Term	DE	EDIFACT	Format	St	*	Description
	3035	Party function code qualifier	an..3	M	*	UC Ultimate consignee
	C082	Party identification details		A		
Ultimate consignee identification	3039	Party identifier	an..35	M		Global Location Number (GLN) - Format n13
	1131	Code list identification code	an..17	N		
	3055	Code list responsible agency code	an..3	R	*	9 GS1
	C058	Name and address		N		
	3124	Name and address description	an..35			
	C080	Party name		D		
Name 1 of the ultimate consignee	3036	Party name	an..35	M		
Name 2 of the ultimate consignee	3036	Party name	an..35	D		
Name 3 of the ultimate consignee	3036	Party name	an..35	D		
	C059	Street		D		
Street of ultimate consignee	3042	Street and number or post office box identifier	an..35	M		
Place of ultimate consignee - name of a city (town, village) for addressing purposes.	3164	City name	an..35	D		
	C819	Country sub-entity details		D		
	3229	Country sub-entity name code	an..9	O		
Postcode of ultimate consignee	3251	Postal identification code	an..17	D		
	3207	Country name code	an..3	D		ISO 3166 two alpha code
Segmentstatus: Optional						
This NAD segment identifies the secondary delivery place.						
If the warehouse is the delivery party (DE 3035 = DP) and the consignment is addressed to a specific outlet, that outlet is identified as ultimate consignee.						

Max. Occ. = Maximum Occurrence, St = Status, * = Restricted Codes
 Status: M=Mandatory, R=Required, O=Optional, D=Dependent, A=Advised, N=Not used

Segment Layout

Heading section

DE 3039: The ultimate consignee is identified by GLN. Party name and address in clear text may only be used, if a GLN is not (yet) available.

Example: NAD+UC+4089876986411::9++Endempfänger-Name 1:Endempfänger-Name 2:Endempfänger-Name
3+Maarweg 104+Köln++50825+DE'

The ultimate consignee is identified by GLN 4089876986411.

Max. Occ. = Maximum Occurrence, St = Status, * = Restricted Codes

Status: M=Mandatory, R=Required, O=Optional, D=Dependent, A=Advised, N=Not used

Segment Layout

Heading section

No. Seg	St	Max. Occ.	
SG2	O	1	NAD-LOC-SG3-SG4
SG3	O	10	RFF
RFF	M	1	Reference

49

To specify a reference.

Business Term	DE	EDIFACT	Format	St	*	Description
	C506	Reference		M		
	1153	Reference code qualifier	an..3	M	*	YC1 Additional party identification (GS1 Temporary Code)
Ultimate consignee additional identification	1154	Reference identifier	an..70	R		

Segmentstatus: Optional

The RFF segment following the NAD segment can specify an agreed additional identification.

If no functional or organisational differences are necessary within one company only the GLN is used for communication purposes, if applicable the receiver links within the inhouse system. Additional identifications should be agreed only in those cases when different functional entities need to be distinguished at one location.

Example: RFF+YC1:0816'

The additional identification is 0816.

Max. Occ. = Maximum Occurrence, St = Status, * = Restricted Codes
 Status: M=Mandatory, R=Required, O=Optional, D=Dependent, A=Advised, N=Not used

Segment Layout

Heading section

No. Seg	St	Max. Occ.				
50	SG2	R 1	NAD-LOC-SG3-SG4			
	NAD	M 1	Name and address			
To specify the name/address and their related function, either by C082 only and/or unstructured by C058 or structured by C080 thru 3207.						
Business Term	DE	EDIFACT	Format	St	*	Description
	3035	Party function code qualifier	an..3	M	*	SU Supplier
	C082	Party identification details		A		
Supplier identification	3039	Party identifier	an..35	M		Global Location Number (GLN) - Format n13
	1131	Code list identification code	an..17	N		
	3055	Code list responsible agency code	an..3	R	*	9 GS1
	C058	Name and address		O		This composite may only be used to fulfill the requirements of directive 2003/58/EG, article 4. If applicable the message sender gets the possibility to give the relevant statements at this place. If C058 ist not sufficient, more declaration can be given in following RFF+GN... segments.
	3124	Name and address description	an..35	M		
	3124	Name and address description	an..35	O		
	3124	Name and address description	an..35	O		
	3124	Name and address description	an..35	O		
	3124	Name and address description	an..35	O		
Segmentstatus: Mandatory						
The supplier is identified by GLN.						
Example: NAD+SU+4389876511113::9+X:X:X:X'						
The supplier is identified by GLN 4389876511113.						

Max. Occ. = Maximum Occurrence, St = Status, * = Restricted Codes
 Status: M=Mandatory, R=Required, O=Optional, D=Dependent, A=Advised, N=Not used

Segment Layout

Heading section

No. Seg	St	Max. Occ.				
51	SG2	R 1	NAD-LOC-SG3-SG4			
	SG3	D 10	RFF			
	RFF	M 1	Reference			
To specify a reference.						
Business Term	DE	EDIFACT	Format	St	*	Description
	C506	Reference		M		
	1153	Reference code qualifier	an..3	M	*	GN Government reference number
Statements on business letters	1154	Reference identifier	an..70	R		
Segmentstatus: Depending						
This RFF segment may only be used if the preceding NAD has not enough space to fulfill the requirements of directive 2003/58/EG, article 4.						
Example: RFF+GN:HRB-471111'						
German statements on business letters: HRB-471111						

Max. Occ. = Maximum Occurrence, St = Status, * = Restricted Codes
 Status: M=Mandatory, R=Required, O=Optional, D=Dependent, A=Advised, N=Not used

Segment Layout

Heading section

No.	Seg	St	Max. Occ.	
	SG2	R	1	NAD-LOC-SG3-SG4
	SG3	O	10	RFF
52	RFF	M	1	Reference

To specify a reference.

Business Term	DE	EDIFACT	Format	St	*	Description
	C506	Reference		M		
	1153	Reference code qualifier	an..3	M	*	YC1 Additional party identification (GS1 Temporary Code)
Suppliers additional identification	1154	Reference identifier	an..70	R		

Segmentstatus: Optional

The RFF segment following the NAD segment can specify an agreed additional identification.

If no functional or organisational differences are necessary within one company only the GLN is used for communication purposes, if applicable the receiver links within the inhouse system. Additional identifications should be agreed only in those cases when different functional entities need to be distinguished at one location.

Example: RFF+YC1:0817'

The additional identification is 0817.

Max. Occ. = Maximum Occurrence, St = Status, * = Restricted Codes
 Status: M=Mandatory, R=Required, O=Optional, D=Dependent, A=Advised, N=Not used

Segment Layout

Heading section

No. Seg	St	Max. Occ.				
SG2	R	1	NAD-LOC-SG3-SG4			
SG3	O	10	RFF			
53 RFF	M	1	Reference			
To specify a reference.						
Business Term	DE	EDIFACT	Format	St	*	Description
	C506	Reference		M		
	1153	Reference code qualifier	an..3	M	*	XA Company/place registration number
Company registration number (German ElektroG)	1154	Reference identifier	an..70	R		
<p>Segmentstatus: Optional</p> <p>The RFF segment can specify the registration number to identify the manufacturer of electric and electronic parts.</p> <p>Structure DE 1154: Code "WEEE" followed by a blank and the registration number.</p> <p>Example: RFF+XA:WEEE DE 13345678'</p> <p>The WEEE registration number is DE 13345678.</p>						

Max. Occ. = Maximum Occurrence, St = Status, * = Restricted Codes
 Status: M=Mandatory, R=Required, O=Optional, D=Dependent, A=Advised, N=Not used

Segment Layout

Heading section

No.	Seg	St	Max. Occ.	
54	SG2	R	1	NAD-LOC-SG3-SG4
	SG3	O	1	RFF
	RFF	M	1	Reference

To specify a reference.

Business Term	DE	EDIFACT	Format	St	*	Description
	C506	Reference		M		
	1153	Reference code qualifier	an..3	M	*	EID Economic operator identifier (EO-ID) see note
Economic operator identifier (EO-ID)	1154	Reference identifier	an..70	R		

Segmentstatus: Optional

The RFF segment following the NAD segment can specify the economic operator identifier (EO-ID) number, e.g. in tobacco traceability.

If no functional or organisational differences are necessary within one company only the GLN is used for communication purposes, if applicable the receiver links within the inhouse system. Additional identifications should be agreed only in those cases when different functional entities need to be distinguished at one location.

Note to DE 1153:

Code value EID: A corresponding work request was made within the framework of the GSMP. Later code adjustments can be made.

Example: **RFF+EID:0815'**

The Economic operator identifier (EO-ID) is 0815.

Max. Occ. = Maximum Occurrence, St = Status, * = Restricted Codes
 Status: M=Mandatory, R=Required, O=Optional, D=Dependent, A=Advised, N=Not used

Segment Layout

Heading section

No. Seg	St	Max. Occ.				
55	SG2	O 1	NAD-LOC-SG3-SG4			
	NAD	M 1	Name and address To specify the name/address and their related function, either by C082 only and/or unstructured by C058 or structured by C080 thru 3207.			
Business Term	DE	EDIFACT	Format	St	*	Description
	3035	Party function code qualifier	an..3	M	*	FW Freight forwarder
	C082	Party identification details		R		
Freight forwarder	3039	Party identifier	an..35	M		Global Location Number (GLN) - Format n13
	1131	Code list identification code	an..17	N		
	3055	Code list responsible agency code	an..3	R	*	9 GS1
Segmentstatus: Optional						
The freight forwarder is identified by GLN.						
Example: NAD+FW+4154321000005::9' The freight forwarder is identified by GLN 4154321000005.						

Max. Occ. = Maximum Occurrence, St = Status, * = Restricted Codes
Status: M=Mandatory, R=Required, O=Optional, D=Dependent, A=Advised, N=Not used

Segment Layout

Heading section

No. Seg	St	Max. Occ.				
SG2	O	1	NAD-LOC-SG3-SG4			
SG3	O	10	RFF			
56 RFF	M	1	Reference			
To specify a reference.						
Business Term	DE	EDIFACT	Format	St	*	Description
	C506	Reference		M		
	1153	Reference code qualifier	an..3	M	*	YC1 Additional party identification (GS1 Temporary Code)
Freight forwarders additional identification	1154	Reference identifier	an..70	R		
<p>Segmentstatus: Optional</p> <p>The RFF segment following the NAD segment can specify an agreed additional identification.</p> <p>If no functional or organisational differences are necessary within one company only the GLN is used for communication purposes, if applicable the receiver links within the inhouse system. Additional identifications should be agreed only in those cases when different functional entities need to be distinguished at one location.</p> <p>Example: RFF+YC1:0818' The additional identification is 0818.</p>						

Max. Occ. = Maximum Occurrence, St = Status, * = Restricted Codes
 Status: M=Mandatory, R=Required, O=Optional, D=Dependent, A=Advised, N=Not used

Segment Layout

Heading section

No. Seg	St	Max. Occ.				
57	SG2	O 1	NAD-LOC-SG3-SG4			
	NAD	M 1	Name and address To specify the name/address and their related function, either by C082 only and/or unstructured by C058 or structured by C080 thru 3207.			
Business Term	DE	EDIFACT	Format	St	*	Description
	3035	Party function code qualifier	an..3	M	*	DGC Logistic service provider (Old code value: LSP)
	C082	Party identification details		R		
Logistic service provider	3039	Party identifier	an..35	M		Global Location Number (GLN) - Format n13
	1131	Code list identification code	an..17	N		
	3055	Code list responsible agency code	an..3	R	*	9 GS1
<p>Segmentstatus: Optional</p> <p>The logistic service provider is identified by GLN.</p> <p>Example: <code>NAD+DGC+4212345000005 : :9'</code> The logistic service provider is identified by GLN 4212345000005.</p>						

Max. Occ. = Maximum Occurrence, St = Status, * = Restricted Codes
 Status: M=Mandatory, R=Required, O=Optional, D=Dependent, A=Advised, N=Not used

Segment Layout

Heading section

No. Seg	St	Max. Occ.	
SG2	O	1	NAD-LOC-SG3-SG4
SG3	O	10	RFF
58 RFF	M	1	Reference

To specify a reference.

Business Term	DE	EDIFACT	Format	St	*	Description
	C506	Reference		M		
	1153	Reference code qualifier	an..3	M	*	YC1 Additional party identification (GS1 Temporary Code)
Logistic service provider additional identification	1154	Reference identifier	an..70	R		

Segmentstatus: Optional

The RFF segment following the NAD segment can specify an agreed additional identification. additional identification.

If no functional or organisational differences are necessary within one company only the GLN is used for communication purposes, if applicable the receiver links within the inhouse system. Additional identifications should be agreed only in those cases when different functional entities need to be distinguished at one location.

Example: RFF+YC1:0819'

The additional identification is 0819.

Max. Occ. = Maximum Occurrence, St = Status, * = Restricted Codes
Status: M=Mandatory, R=Required, O=Optional, D=Dependent, A=Advised, N=Not used

Segment Layout

Heading section

No. Seg	St	Max. Occ.				
59	SG2	O 1	NAD-LOC-SG3-SG4			
	NAD	M 1	Name and address			
To specify the name/address and their related function, either by C082 only and/or unstructured by C058 or structured by C080 thru 3207.						
Business Term	DE	EDIFACT	Format	St	*	Description
	3035	Party function code qualifier	an..3	M	*	UD Ultimate customer
	C082	Party identification details		D		
GLN of the ultimate customer	3039	Party identifier	an..35	M		Global Location Number (GLN) - Format n13
	1131	Code list identification code	an..17	N		
	3055	Code list responsible agency code	an..3	R	*	9 GS1
	C058	Name and address		N		
	3124	Name and address description	an..35			
	C080	Party name		D		
Name 1 of the ultimate customer	3036	Party name	an..35	M		
Name 2 of the ultimate customer	3036	Party name	an..35	D		
Name 3 of the ultimate customer	3036	Party name	an..35	D		
	C059	Street		D		
Street of ultimate customer	3042	Street and number or post office box identifier	an..35	M		
Place of ultimate customer - name of a city (town, village) for addressing purposes.	3164	City name	an..35	D		
	C819	Country sub-entity details		D		
	3229	Country sub-entity name code	an..9	O		
Postcode of ultimate customer	3251	Postal identification code	an..17	D		
	3207	Country name code	an..3	D		ISO 3166 two alpha code
<p>Segmentstatus: Optional This NAD segment is used to specify name and address of the ultimate consignee, e.g. receiver of a swimming pool.</p> <p>Use of the GLN, the specification of the Global Location Number is sufficient.</p> <p>For ultimate customers, who do not have GLN, the address is indicated as clear text. The group C082 remains empty in this case.</p>						

Max. Occ. = Maximum Occurrence, St = Status, * = Restricted Codes
 Status: M=Mandatory, R=Required, O=Optional, D=Dependent, A=Advised, N=Not used

Segment Layout

Heading section

Example: NAD+UD+4399899175941::9++EDI-LAND:Herr Laufen:Garage+Bussardweg 5+Leopardshöhle++3818+DE'

The ultimate customer is identified by Global Location Number (GLN) 4399899175941.

An address in clear text is only allowed in exceptional cases.

Max. Occ. = Maximum Occurrence, St = Status, * = Restricted Codes

Status: M=Mandatory, R=Required, O=Optional, D=Dependent, A=Advised, N=Not used

Segment Layout

Heading section

No. Seg	St	Max. Occ.				
SG2	O	1	NAD-LOC-SG3-SG4			
SG4	O	10	CTA-COM			
60 CTA	M	1	Contact information To identify a person or a department to whom communication should be directed.			
Business Term	DE	EDIFACT	Format	St	*	Description
	3139	Contact function code	an..3	R		PD Purchasing contact OC Order contact
	C056	Department or employee details		O		
Contact person or department (Ultimate customer)	3413	Department or employee name code	an..17	R		
Segmentstatus: Optional						
For possible checkback this segment can provide a person to turn to.						
Example: CTA+PD+Claus Früh' Buyers contact person is Claus Früh.						

Max. Occ. = Maximum Occurrence, St = Status, * = Restricted Codes
 Status: M=Mandatory, R=Required, O=Optional, D=Dependent, A=Advised, N=Not used

Segment Layout

Heading section

No. Seg	St	Max. Occ.				
61	SG2	O 1	NAD-LOC-SG3-SG4			
	SG4	O 10	CTA-COM			
	COM	O 5	Communication contact			
To identify a communication number of a department or a person to whom communication should be directed.						
Business Term	DE	EDIFACT	Format	St	*	Description
	C076	Communication contact		M		
Communication number (Ultimate customer)	3148	Communication address identifier	an..51	M		
	3155	Communication address code qualifier	an..3	M		EM Electronic mail FX Fax TE Telephone XF X.400
Segmentstatus: Optional						
Communication contact of the person to turn to.						
Example: COM+kölsch@früh.de:EM' E-mail of Mr. Früh is kölsch@früh.de						

Max. Occ. = Maximum Occurrence, St = Status, * = Restricted Codes
 Status: M=Mandatory, R=Required, O=Optional, D=Dependent, A=Advised, N=Not used

Segment Layout

Heading section

No. Seg	St	Max. Occ.				
62	SG2	O 1	NAD-LOC-SG3-SG4			
	NAD	M 1	Name and address To specify the name/address and their related function, either by C082 only and/or unstructured by C058 or structured by C080 thru 3207.			
Business Term	DE	EDIFACT	Format	St	*	Description
	3035	Party function code qualifier	an..3	M	*	SF Ship from
	C082	Party identification details		R		
Identification of ship from place	3039	Party identifier	an..35	M		Global Location Number (GLN) - Format n13
	1131	Code list identification code	an..17	N		
	3055	Code list responsible agency code	an..3	R	*	9 GS1
Segmentstatus: Optional						
Identification of the ship fro place by Global Location Number (GLN).						
Example: NAD+SF+4012345000009: :9'						
The ship from place is identified by Global Location Number (GLN) 4012345000009.						

Max. Occ. = Maximum Occurrence, St = Status, * = Restricted Codes
 Status: M=Mandatory, R=Required, O=Optional, D=Dependent, A=Advised, N=Not used

Segment Layout

Heading section

No. Seg	St	Max. Occ.			
SG6	O	1	TDT-SG7		
			A group of segments identifying the mode and means of transport, location and relevant dates and times for transportation, relating to the whole order.		
63	TDT	M	1	Details of transport	
				To specify the transport details such as mode of transport, means of transport, its conveyance reference number and the identification of the means of transport.	
Business Term	DE	EDIFACT	Format	St	* Description
	8051	Transport stage code qualifier	an..3	M	20 Main-carriage transport
	8028	Means of transport journey identifier	an..17	N	
	C220	Mode of transport		N	
	8067	Transport mode name code	an..3		
	C228	Transport means		O	
Transport means	8179	Transport means description code	an..8	D	31 Truck 48 Van 21E Flat lorry 15t (GS1 Temporary Code) All codes can be used.
	8178	Transport means description	an..17	D	
	C040	Carrier		O	
	3127	Carrier identifier	an..17	O	GLN of the carrier
	1131	Code list identification code	an..17	N	
	3055	Code list responsible agency code	an..3	R	9 GS1
	3128	Carrier name	an..35	O	
Segmentstatus: Optional					
This segment is used to specify transport instructions for the whole despatch advice, such as requesting an express transport service.					
Example: TDT+20+++31+4012345123456::9:Transport GmbH Schnelle Bücher' Road parcel express: "Transport GmbH Schnelle Bücher"					

Max. Occ. = Maximum Occurrence, St = Status, * = Restricted Codes
Status: M=Mandatory, R=Required, O=Optional, D=Dependent, A=Advised, N=Not used

Segment Layout

Heading section

No. Seg	St	Max. Occ.				
64	SG8	O 1	EQD-MEA-SEL			
	EQD	M 1	Equipment details			
To identify a unit of equipment.						
Business Term	DE	EDIFACT	Format	St	*	Description
Unit load device	8053	Equipment type code qualifier	an..3	M	*	UL ULD (Unit load device)
Segmentstatus: Optional						
This segment indicates the use of unit load devices according national or international standards. The information is valid for the entire message.						
Example: EQD+UL ' the consignment is made up by unit load devices.						

Max. Occ. = Maximum Occurrence, St = Status, * = Restricted Codes
 Status: M=Mandatory, R=Required, O=Optional, D=Dependent, A=Advised, N=Not used

Segment Layout

Heading section

No. Seg	St	Max. Occ.				
65	SG8	O 1	EQD-MEA-SEL			
	MEA	O 1	Measurements			
To specify physical measurements, including dimension tolerances, weights and counts.						
Business Term	DE	EDIFACT	Format	St	*	Description
	6311	Measurement purpose code qualifier	an..3	M	*	PD Physical dimensions (product ordered)
	C502	Measurement details		A		
Weight of equipment	6313	Measured attribute code	an..3	A		AAB Unit gross weight
	6321	Measurement significance code	an..3	N		
	6155	Non-discrete measurement name code	an..17	N		
	6154	Non-discrete measurement name	an..70	N		
	C174	Value/range		R		
	6411	Measurement unit code	an..3	M		KGM kilogram TNE tonne (metric ton) All code values from EANCOM code list 6411 and UN/ECE Recommendation 20 code list available.
	6314	Measurement value	an..18	O		
<p>Segmentstatus: Optional</p> <p>This segment is used to specify physical measurements or dimensions of the equipment described in the EQD segment.</p> <p>Example: MEA+PD+AAB+KGM:50' The gross weight is 50kg.</p>						

Max. Occ. = Maximum Occurrence, St = Status, * = Restricted Codes
 Status: M=Mandatory, R=Required, O=Optional, D=Dependent, A=Advised, N=Not used

Segment Layout

Heading section

No. Seg	St	Max. Occ.				
66	SG8	O 1	EQD-MEA-SEL			
	MEA	O 1	Measurements			
To specify physical measurements, including dimension tolerances, weights and counts.						
Business Term	DE	EDIFACT	Format	St	*	Description
	6311	Measurement purpose code qualifier	an..3	M	*	PD Physical dimensions (product ordered)
	C502	Measurement details		A		
Volume of equipment	6313	Measured attribute code	an..3	A		AAW Gross volume
	6321	Measurement significance code	an..3	N		
	6155	Non-discrete measurement name code	an..17	N		
	6154	Non-discrete measurement name	an..70	N		
	C174	Value/range		R		
	6411	Measurement unit code	an..3	M		MTQ cubic metre LTR litre All code values from EANCOM code list 6411 and UN/ECE Recommendation 20 code list available.
	6314	Measurement value	an..18	O		
<p>Segmentstatus: Optional</p> <p>This segment is used to specify physical measurements or dimensions of the equipment described in the EQD segment.</p> <p>Example: MEA+PD+AAW+MTQ:20' The gross volume is 20 cubic metres.</p>						

Max. Occ. = Maximum Occurrence, St = Status, * = Restricted Codes
 Status: M=Mandatory, R=Required, O=Optional, D=Dependent, A=Advised, N=Not used

Segment Layout

Heading section

No. Seg	St	Max. Occ.				
67	SG8	O 1	EQD-MEA-SEL			
	SEL	O 25	Seal number			
To specify the seal number or a range of seal numbers.						
Business Term	DE	EDIFACT	Format	St	*	Description
Seal number connected to the equipment	9308	Seal identifier	an..35	R		
	C215	Seal issuer		A		
	9303	Sealing party name code	an..3	R		CU Customs SH Shipper
Segmentstatus: Optional						
This segment is used to specify a seal number which is connected to the equipment identified in the EQD segment.						
Example: SEL+ULD1212+SH'						
The seal number connected to the equipment is ULD1212						

Max. Occ. = Maximum Occurrence, St = Status, * = Restricted Codes
 Status: M=Mandatory, R=Required, O=Optional, D=Dependent, A=Advised, N=Not used

Segment Layout

Detail section consignment

No. Seg	St	Max. Occ.				
68	SG10	R 9999	CPS-FTX-SG11-SG17			
	CPS	M 1	Consignment packing sequence To identify the sequence in which physical packing is presented in the consignment, and optionally to identify the hierarchical relationship between packing layers.			
Business Term		DE	EDIFACT	Format	St	* Description
Sequence of packages within the consignment		7164	Hierarchical structure level identifier	an..35	M	Sequential numbering is recommended
Segmentstatus: Mandatory						
<p>The CPS segment starts the detail section of the message. The segments following the first occurrence of CPS (CPS+1) and previous to the following CPS (CPS+2+1) can provide physical dimensions for the entire consignment.</p> <p>This segment is used to identify the sequence in which packing of the consignment occurs, i.e. DE 7164 is increased by 1.</p> <p>Note for the first occurrence of SG 10: Due to a unique message structure the first SG 10 (CPS+1) is always only used to indicate the number of packages of a consignment and its total weight and volume, even if the consignment consists of only one package.</p> <p>Example: CPS+1 ' Sequence number one.</p>						

Max. Occ. = Maximum Occurrence, St = Status, * = Restricted Codes
 Status: M=Mandatory, R=Required, O=Optional, D=Dependent, A=Advised, N=Not used

Segment Layout

Detail section consignment

No. Seg	St	Max. Occ.				
SG10	R	9999	CPS-FTX-SG11-SG17			
SG11	O	1	PAC-MEA-QTY-SG12-SG13			
69 PAC	M	1	Package			
To describe the number and type of packages/physical units.						
Business Term	DE	EDIFACT	Format	St	*	Description
Number of packages (Consignment)	7224	Package quantity	n..8	O		
	C531	Packaging details		A		
	7075	Packaging level code	an..3	N		
	7233	Packaging related description code	an..3	O		50 Package barcoded EAN-13 or EAN-8 52 Package barcoded UCC or EAN-128 78 Package bar-coded and EPC tagged (former 55E) 79 Package EPC tagged only (former 56E)
	7073	Packaging terms and conditions code	an..3	O		
	C202	Package type		O		
	7065	Package type description code	an..17	A		201 Pallet ISO 1 - 1/1 EURO Pallet (GS1 Temporary Code) The use of any code value of this codes list is allowed.
	1131	Code list identification code	an..17	O		
	3055	Code list responsible agency code	an..3	D	*	9 GS1 Code value 9 is only used if DE 7065 contains a GS1 code.
Segmentstatus: Optional						
This segment can be used to indicate the total number of packages per package type within the consignment.						
Example: PAC+10+:52+201::9' 10 Pallets ISO 1 - 1/1 EURO Pallet						

Max. Occ. = Maximum Occurrence, St = Status, * = Restricted Codes
Status: M=Mandatory, R=Required, O=Optional, D=Dependent, A=Advised, N=Not used

Segment Layout

Detail section consignment

No.	Seg	St	Max.	Occ.	
	SG10	R	9999		CPS-FTX-SG11-SG17
	SG11	O	1		PAC-MEA-QTY-SG12-SG13
70	MEA	O	1		Measurements
To specify physical measurements, including dimension tolerances, weights and counts.					
Business Term	DE	EDIFACT	Format	St	* Description
	6311	Measurement purpose code qualifier	an..3	M	* PD Physical dimensions (product ordered)
	C502	Measurement details		A	
Gross weight of the consignment	6313	Measured attribute code	an..3	A	* AAD Total gross weight
	6321	Measurement significance code	an..3	N	
	6155	Non-discrete measurement name code	an..17	N	
	6154	Non-discrete measurement name	an..70	N	
	C174	Value/range		R	
	6411	Measurement unit code	an..3	M	KGM kilogram TNE tonne (metric ton) All code values from EANCOM code list 6411 and UN/ECE Recommendation 20 code list available.
	6314	Measurement value	an..18	O	
<p>Segmentstatus: Optional</p> <p>This segment is used to provide measurements or dimensions relevant to the packaging unit described in the PAC segment. After the first occurrence of the CPS segment the total gross weight of the consignment is provided.</p> <p>Example: MEA+PD+AAD+KGM:10' The gross weight is 10 kg.</p>					

Max. Occ. = Maximum Occurrence, St = Status, * = Restricted Codes
 Status: M=Mandatory, R=Required, O=Optional, D=Dependent, A=Advised, N=Not used

Segment Layout

Detail section consignment

No.	Seg	St	Max.	Occ.	
71	SG10	R	9999		CPS-FTX-SG11-SG17
	SG11	O	1		PAC-MEA-QTY-SG12-SG13
	MEA	O	1		Measurements
To specify physical measurements, including dimension tolerances, weights and counts.					
Business Term	DE	EDIFACT	Format	St	* Description
	6311	Measurement purpose code qualifier	an..3	M	* PD Physical dimensions (product ordered)
	C502	Measurement details		A	
Total volume of the consignment	6313	Measured attribute code	an..3	A	* AAW Gross volume
	6321	Measurement significance code	an..3	N	
	6155	Non-discrete measurement name code	an..17	N	
	6154	Non-discrete measurement name	an..70	N	
	C174	Value/range		R	
	6411	Measurement unit code	an..3	M	MTQ cubic metre LTR litre All code values from EANCOM code list 6411 and UN/ECE Recommendation 20 code list available.
	6314	Measurement value	an..18	O	
<p>Segmentstatus: Optional</p> <p>This segment is used to provide measurements or dimensions relevant to the packaging unit described in the PAC segment.</p> <p>Example: MEA+PD+AAW+MTQ:15' The gross volume is 1 cubic metre.</p>					

Max. Occ. = Maximum Occurrence, St = Status, * = Restricted Codes
 Status: M=Mandatory, R=Required, O=Optional, D=Dependent, A=Advised, N=Not used

Segment Layout

Detail section consignment

No. Seg	St	Max. Occ.				
SG10	R	9999	CPS-FTX-SG11-SG17			
SG11	O	1	PAC-MEA-QTY-SG12-SG13			
MEA	O	1	Measurements			
To specify physical measurements, including dimension tolerances, weights and counts.						
Business Term	DE	EDIFACT	Format	St	*	Description
	6311	Measurement purpose code qualifier	an..3	M	*	AAE Measurement
	C502	Measurement details		A		
	6313	Measured attribute code	an..3	A	*	NPP Number of pallet places (GS1 Temporary Code)
	C174	Value/range		R		
	6411	Measurement unit code	an..3	M	*	H87 Piece (Old code value: PCE)
Number of transport pallet footprints	6314	Measurement value	an..18	O		
Segmentstatus: Optional						
This segment contains information on number of transport pallet footprints.						
Example: MEA+AAE+NPP+H87:30'						
There are 30 transport pallet footprints.						

Max. Occ. = Maximum Occurrence, St = Status, * = Restricted Codes
 Status: M=Mandatory, R=Required, O=Optional, D=Dependent, A=Advised, N=Not used

Segment Layout

Detail section despatch units

No. Seg	St	Max. Occ.				
73	SG10	O 9999	CPS-FTX-SG11-SG17			
	CPS	M 1	Consignment packing sequence To identify the sequence in which physical packing is presented in the consignment, and optionally to identify the hierarchical relationship between packing layers.			
Business Term	DE	EDIFACT	Format	St	*	Description
Sequence of the packages (despatch units)	7164	Hierarchical structure level identifier	an..35	M		Sequential numbering is recommended
Hierarchy level	7166	Hierarchical structure parent identifier	an..35	A		
<p>Segmentstatus: Optional</p> <p>The detail section provides information about despatch units and associated SSCC.</p> <p>This segment is used to indicate the sequence of despatch units within the consignment, i.e. DE 7164 is increased by 1.</p> <p>If no hierarchical structure is described (first SG10 is mandatory), the message continues with SG 17 after fulfilling the requests of SG 10.</p> <p>Example: CPS+2+1' Sequence number two.</p>						

Max. Occ. = Maximum Occurrence, St = Status, * = Restricted Codes
 Status: M=Mandatory, R=Required, O=Optional, D=Dependent, A=Advised, N=Not used

Segment Layout

Detail section despatch units

No. Seg	St	Max. Occ.	
SG10	O	9999	CPS-FTX-SG11-SG17
SG11	O	9999	PAC-MEA-QTY-SG12-SG13
74 PAC	M	1	Package

To describe the number and type of packages/physical units.

Business Term	DE	EDIFACT	Format	St	*	Description
Number of packages (despatch units)	7224	Package quantity	n..8	O		
	C531	Packaging details		A		
	7075	Packaging level code	an..3	N		
	7233	Packaging related description code	an..3	O		50 Package barcoded EAN-13 or EAN-8 52 Package barcoded UCC or EAN-128 78 Package bar-coded and EPC tagged (Old code value: 55E) 79 Package EPC tagged only (Old code value: 56E)
	7073	Packaging terms and conditions code	an..3	O		Exchange pallet: 27 Package exchangeable at the point of delivery Rented pallet: 24 Rented One way pallet: XX4 No Exchange / No Return Pallet (GS1 Temporary Code)
	C202	Package type		O		
	7065	Package type description code	an..17	A		201 Pallet ISO 1 - 1/1 EURO Pallet (GS1 Temporary Code) The use of any code value of this codes list is allowed.
	1131	Code list identification code	an..17	O		
	3055	Code list responsible agency code	an..3	D	*	9 GS1 Code value 9 is only used if DE 7065 contains a GS1 code.

Segmentstatus: Optional

This segment can be used to indicate the total number of packages of the consignment within the hierarchy level defined in the CPS segment. The content of each package is described in the following LIN segments.

Max. Occ. = Maximum Occurrence, St = Status, * = Restricted Codes
Status: M=Mandatory, R=Required, O=Optional, D=Dependent, A=Advised, N=Not used

Segment Layout

Detail section despatch units

Example: PAC+1+:52:27+201:::9'

This consignment line contains 1 EURO pallet.

Max. Occ. = Maximum Occurrence, St = Status, * = Restricted Codes
Status: M=Mandatory, R=Required, O=Optional, D=Dependent, A=Advised, N=Not used

Segment Layout

Detail section despatch units

No. Seg	St	Max. Occ.	
SG10	O	9999	CPS-FTX-SG11-SG17
SG11	O	9999	PAC-MEA-QTY-SG12-SG13
75 MEA	O	1	Measurements

To specify physical measurements, including dimension tolerances, weights and counts.

Business Term	DE	EDIFACT	Format	St	*	Description
	6311	Measurement purpose code qualifier	an..3	M	*	PD Physical dimensions (product ordered)
	C502	Measurement details		A		
Number of layers (sandwich pallet)	6313	Measured attribute code	an..3	A	*	LAY Number of layers (GS1 Temporary Code)
	6321	Measurement significance code	an..3	N		
	6155	Non-discrete measurement name code	an..17	N		
	6154	Non-discrete measurement name	an..70	N		
	C174	Value/range		R		
	6411	Measurement unit code	an..3	M	*	H87 Piece (Old code value: PCE)
	6314	Measurement value	an..18	O		

Segmentstatus: Optional

This segment is only used to indicate the number of layers of a sandwich pallet.

Example: **MEA+PD+LAY+H87:3'**

The sandwich pallet has 3 layers.

Max. Occ. = Maximum Occurrence, St = Status, * = Restricted Codes
 Status: M=Mandatory, R=Required, O=Optional, D=Dependent, A=Advised, N=Not used

Segment Layout

Detail section despatch units

No. Seg	St	Max. Occ.				
SG10	O	9999	CPS-FTX-SG11-SG17			
SG11	O	9999	PAC-MEA-QTY-SG12-SG13			
76 MEA	O	1	Measurements			
To specify physical measurements, including dimension tolerances, weights and counts.						
Business Term	DE	EDIFACT	Format	St	*	Description
	6311	Measurement purpose code qualifier	an..3	M	*	PD Physical dimensions (product ordered)
	C502	Measurement details		A		
Gross weight of a package	6313	Measured attribute code	an..3	A	*	AAB Unit gross weight
	6321	Measurement significance code	an..3	N		
	6155	Non-discrete measurement name code	an..17	N		
	6154	Non-discrete measurement name	an..70	N		
	C174	Value/range		R		
	6411	Measurement unit code	an..3	M		KGM kilogram TNE tonne (metric ton) All code values from EANCOM code list 6411 and UN/ECE Recommendation 20 code list available.
	6314	Measurement value	an..18	O		
<p>Segmentstatus: Optional</p> <p>This segment is used to provide measurements or dimensions relevant to the packaging unit described in the PAC segment.</p> <p>Example: MEA+PD+AAB+KGM:5' The gross weight is 5 kg.</p>						

Max. Occ. = Maximum Occurrence, St = Status, * = Restricted Codes
 Status: M=Mandatory, R=Required, O=Optional, D=Dependent, A=Advised, N=Not used

Segment Layout

Detail section despatch units

No. Seg	St	Max. Occ.				
SG10	O	9999	CPS-FTX-SG11-SG17			
SG11	O	9999	PAC-MEA-QTY-SG12-SG13			
77 MEA	O	1	Measurements			
To specify physical measurements, including dimension tolerances, weights and counts.						
Business Term	DE	EDIFACT	Format	St	*	Description
	6311	Measurement purpose code qualifier	an..3	M	*	PD Physical dimensions (product ordered)
	C502	Measurement details		A		
Volume of package	6313	Measured attribute code	an..3	A		AAW Gross volume
	6321	Measurement significance code	an..3	N		
	6155	Non-discrete measurement name code	an..17	N		
	6154	Non-discrete measurement name	an..70	N		
	C174	Value/range		R		
	6411	Measurement unit code	an..3	M		MTQ cubic metre LTR litre All code values from EANCOM code list 6411 and UN/ECE Recommendation 20 code list available.
	6314	Measurement value	an..18	O		
<p>Segmentstatus: Optional</p> <p>This segment is used to provide measurements or dimensions relevant to the packaging unit described in the PAC segment.</p> <p>Example: MEA+PD+AAW+LTR:1' The gross volume is 1 cubic metre.</p>						

Max. Occ. = Maximum Occurrence, St = Status, * = Restricted Codes
 Status: M=Mandatory, R=Required, O=Optional, D=Dependent, A=Advised, N=Not used

Segment Layout

Detail section despatch units

No.	Seg	St	Max. Occ.	
	SG10	O	9999	CPS-FTX-SG11-SG17
	SG11	O	9999	PAC-MEA-QTY-SG12-SG13
78	MEA	O	1	Measurements

To specify physical measurements, including dimension tolerances, weights and counts.

Business Term	DE	EDIFACT	Format	St	*	Description
	6311	Measurement purpose code qualifier	an..3	M	*	PD Physical dimensions (product ordered)
	C502	Measurement details		A		
Height of package	6313	Measured attribute code	an..3	A		HT Height dimension WD Width dimension LN Length dimension AEB Stacking height
	6321	Measurement significance code	an..3	N		
	6155	Non-discrete measurement name code	an..17	N		
	6154	Non-discrete measurement name	an..70	N		
	C174	Value/range		R		
	6411	Measurement unit code	an..3	M		MMT millimetre MTR metre All code values from EANCOM code list 6411 and UN/ECE Recommendation 20 code list available.
	6314	Measurement value	an..18	O		

Segmentstatus: Optional

This segment is used to provide measurements or dimensions relevant to the packaging unit described in the PAC segment. The value of height is inclusive the height of consignment, e.g. pallet.

Example: MEA+PD+HT+MMT:1050'

The total height is 1050 mm

Max. Occ. = Maximum Occurrence, St = Status, * = Restricted Codes
Status: M=Mandatory, R=Required, O=Optional, D=Dependent, A=Advised, N=Not used

Segment Layout

Detail section despatch units

No. Seg	St	Max. Occ.	
SG10	O	9999	CPS-FTX-SG11-SG17
SG11	O	9999	PAC-MEA-QTY-SG12-SG13
SG12	O	10	HAN
A group of segments providing information on hazardous goods and handling.			
79			
HAN	M	1	Handling instructions
To specify handling and where necessary, notify hazards.			

Business Term	DE	EDIFACT	Format	St	*	Description
	C524	Handling instructions		A		
Handling instructions	4079	Handling instruction description code	an..3	R		BIG Outsized (GS1 Temporary Code) CRU Crushable (GS1 Temporary Code) EAT Foodstuffs (GS1 Temporary Code) HWC Handle with care (GS1 Temporary Code) STR Stacking restricted (GS1 Temporary Code) UST Unstackable (GS1 Temporary Code)
	1131	Code list identification code	an..17	A		
	3055	Code list responsible agency code	an..3	D	*	9 GS1 60 Assigned by national trade agency DE 3055 must be used if DE 4079 is used and does not contain an UN/EDIFACT code.

Segmentstatus: Optional

This segment is used to provide handling instructions relevant to the packaging unit and level described in the PAC segment.

Example: HAN+CRU: :9'

Packaging is crushable.

Max. Occ. = Maximum Occurrence, St = Status, * = Restricted Codes
Status: M=Mandatory, R=Required, O=Optional, D=Dependent, A=Advised, N=Not used

Segment Layout

Detail section despatch units

No.	Seg	St	Max. Occ.			
	SG10	O	9999	CPS-FTX-SG11-SG17		
	SG11	O	9999	PAC-MEA-QTY-SG12-SG13		
	SG13	O	1000	PCI-RFF-DTM-SG15		
80	PCI	M	1	Package identification		
To specify markings and labels on individual packages or physical units.						
Business Term	DE	EDIFACT	Format	St	*	Description
Marking with SSCC (despatch units)	4233	Marking instructions code	an..3	R	*	39 Marked with Serial Shipping Container Code (SSCC) (Old code value: 33E)
Segmentstatus: Optional						
The PCI segment details markings with SSCC.						
Example: PCI+39' Package identification						

Max. Occ. = Maximum Occurrence, St = Status, * = Restricted Codes
 Status: M=Mandatory, R=Required, O=Optional, D=Dependent, A=Advised, N=Not used

Segment Layout

Detail section despatch units

No. Seg	St	Max. Occ.				
SG10	O	9999	CPS-FTX-SG11-SG17			
SG11	O	9999	PAC-MEA-QTY-SG12-SG13			
SG13	O	1000	PCI-RFF-DTM-SG15			
SG15	O	99	GIN			
81 GIN	M	1	Goods identity number			
To give specific identification numbers, either as single numbers or ranges.						
Business Term	DE	EDIFACT	Format	St	*	Description
	7405	Object identification code qualifier	an..3	M	*	AW Serial shipping container code (Old code value: BJ)
	C208	Identity number range		M		
Serial Shipping Container Code (SSCC)	7402	Object identifier	an..35	M		
Segmentstatus: Optional						
This segment provides the SSCC to uniquely indentify individual packages.						
Example: GIN+AW+340123450000000014'						
The SSCC is 340123450000000014						

Max. Occ. = Maximum Occurrence, St = Status, * = Restricted Codes
 Status: M=Mandatory, R=Required, O=Optional, D=Dependent, A=Advised, N=Not used

Segment Layout

Detail section despatch units

No.	Seg	St	Max.	Occ.	
	SG10	O	9999		CPS-FTX-SG11-SG17
	SG11	O	9999		PAC-MEA-QTY-SG12-SG13
	SG13	O	1000		PCI-RFF-DTM-SG15
82	PCI	M	1		Package identification
To specify markings and labels on individual packages or physical units.					
Business Term	DE	EDIFACT	Format	St	* Description
Marking with GRAI (despatch units)	4233	Marking instructions code	an..3	R	* 47 Marked with GS1 Global Returnable Asset Identifier (GRAI) (Old code value: 41G)
Segmentstatus: Optional					
This segment is used to provide markings with GRAI.					
Example: PCI+47 ' Identification with GRAI					

Max. Occ. = Maximum Occurrence, St = Status, * = Restricted Codes
 Status: M=Mandatory, R=Required, O=Optional, D=Dependent, A=Advised, N=Not used

Segment Layout

Detail section despatch units

No.	Seg	St	Max. Occ.	
	SG10	O	9999	CPS-FTX-SG11-SG17
	SG11	O	9999	PAC-MEA-QTY-SG12-SG13
	SG13	O	1000	PCI-RFF-DTM-SG15
	SG15	O	99	GIN
83	GIN	M	1	Goods identity number

To give specific identification numbers, either as single numbers or ranges.

Business Term	DE	EDIFACT	Format	St	*	Description
	7405	Object identification code qualifier	an..3	M		DA GS1 Global Returnable Asset Identifier, without serial number DB GS1 Global Returnable Asset Identifier, with serial number (Old code value: RAG)
	C208	Identity number range		M		
Global Returnable Asset Identifier (GRAI) (despatch units)	7402	Object identifier	an..35	M		

Segmentstatus: Optional

This segment provides the GRAI. It may not be used to identify or track goods connected to the transport packaging and should therefore only be used in combination with SSCC.

Example: GIN+DA+401234500003000124'

The GRAI is 401234500003000124

Max. Occ. = Maximum Occurrence, St = Status, * = Restricted Codes
Status: M=Mandatory, R=Required, O=Optional, D=Dependent, A=Advised, N=Not used

Segment Layout

Detail section despatch units

No. Seg	St	Max. Occ.				
SG10	O	9999	CPS-FTX-SG11-SG17			
SG11	O	9999	PAC-MEA-QTY-SG12-SG13			
SG13	O	1000	PCI-RFF-DTM-SG15			
84 PCI	M	1	Package identification			
To specify markings and labels on individual packages or physical units.						
Business Term	DE	EDIFACT	Format	St	*	Description
Marking with GIAI (despatch unit/s)	4233	Marking instructions code	an..3	R	*	34 Marked GS1 Global Individual Asset Identifier (Old code value: 42G)
Segmentstatus: Optional						
This segment is used to provide markings with GIAI.						
Example: PCI+34' Identification with GIAI						

Max. Occ. = Maximum Occurrence, St = Status, * = Restricted Codes
 Status: M=Mandatory, R=Required, O=Optional, D=Dependent, A=Advised, N=Not used

Segment Layout

Detail section despatch units

No. Seg	St	Max. Occ.				
SG10	O	9999	CPS-FTX-SG11-SG17			
SG11	O	9999	PAC-MEA-QTY-SG12-SG13			
SG13	O	1000	PCI-RFF-DTM-SG15			
SG15	O	99	GIN			
85 GIN	M	1	Goods identity number			
To give specific identification numbers, either as single numbers or ranges.						
Business Term	DE	EDIFACT	Format	St	*	Description
	7405	Object identification code qualifier	an..3	M	*	CU GS1 Global Individual Asset Identifier (Old code value: IAG)
	C208	Identity number range		M		
Global Individual Asset Identifier (GIAI) (despatch unit/s)	7402	Object identifier	an..35	M		
Segmentstatus: Optional						
This segment provides the GIAI. It may not be used to identify or track contained goods and should therefore only be used in combination with SSCC.						
Example: GIN+CU+40123456XY156' The GIAI is 40123456XY156						

Max. Occ. = Maximum Occurrence, St = Status, * = Restricted Codes
 Status: M=Mandatory, R=Required, O=Optional, D=Dependent, A=Advised, N=Not used

Segment Layout

Detail section despatch units

No. Seg	St	Max. Occ.				
SG10	O	9999	CPS-FTX-SG11-SG17			
SG11	O	9999	PAC-MEA-QTY-SG12-SG13			
SG13	O	1000	PCI-RFF-DTM-SG15			
86 PCI	M	1	Package identification			
To specify markings and labels on individual packages or physical units.						
Business Term	DE	EDIFACT	Format	St	*	Description
Marking with number of a package (consignment)	4233	Marking instructions code	an..3	R	*	IEN Package Identity Number (GS1 Temporary Code)
	C210	Marks & labels		R		
Number of a package	7102	Shipping marks description	an..35	M		The number of a package may only be used additionally to SSCC.
Segmentstatus: Optional						
This segment is used to provide markings with a number of a package.						
Example: PCI+IEN+12337616644' Package identification						

Max. Occ. = Maximum Occurrence, St = Status, * = Restricted Codes
 Status: M=Mandatory, R=Required, O=Optional, D=Dependent, A=Advised, N=Not used

Segment Layout

Detail section despatch units / articles

No.	Seg	St	Max. Occ.				
87	SG10	O	9999	CPS-FTX-SG11-SG17			
	CPS	M	1	Consignment packing sequence To identify the sequence in which physical packing is presented in the consignment, and optionally to identify the hierarchical relationship between packing layers.			
Business Term		DE	EDIFACT	Format	St	*	Description
Sequence of the packages (despatch units / articles)		7164	Hierarchical structure level identifier	an..35	M		Sequential numbering is recommended
Hierarchy level (despatch units / articles)		7166	Hierarchical structure parent identifier	an..35	A		
<p>Segmentstatus: Optional</p> <p>The line level details package and SSCC information that have not master data character.</p> <p>This segment is used to provide the sequence of packages within the consignment, i.e. for each package starts a new line level by use of the CPS segment and DE 7164 is increased by 1.</p> <p>If for example the previous CPS segment (CPS+2+1) has been a pallet, it is possible to indicate the different layers in case of a sandwich pallet. By use of a sandwich pallet the lowest pallet is the first layer (CPS+3+2), the second layer is CPS+4+2, the third is CPS+5+2 etc. If the articles shall be described, SG10 is followed by SG17.</p> <p>Example: CPS+3+2' Sequence number three.</p>							

Max. Occ. = Maximum Occurrence, St = Status, * = Restricted Codes
 Status: M=Mandatory, R=Required, O=Optional, D=Dependent, A=Advised, N=Not used

Segment Layout

Detail section despatch units / articles

No. Seg	St	Max. Occ.				
88	SG10	O 9999	CPS-FTX-SG11-SG17			
	SG11	O 9999	PAC-MEA-QTY-SG12-SG13			
	PAC	M 1	Package			
To describe the number and type of packages/physical units.						
Business Term	DE	EDIFACT	Format	St	*	Description
Number of packages (despatch units / articles)	7224	Package quantity	n..8	O		
	C531	Packaging details		A		
	7075	Packaging level code	an..3	N		
	7233	Packaging related description code	an..3	O		50 Package barcoded EAN-13 or EAN-8 52 Package barcoded UCC or EAN-128 78 Package bar-coded and EPC tagged (Old code value: 55E) 79 Package EPC tagged only (Old code value: 56E)
	7073	Packaging terms and conditions code	an..3	O		Exchange pallet: 27 Package exchangeable at the point of delivery Rented pallet: 24 Rented (Old code value: 4E) One way pallet: XX4 No Exchange / No Return Pallet (GS1 Temporary Code)
	C202	Package type		O		
	7065	Package type description code	an..17	A		201 Pallet ISO 1 - 1/1 EURO Pallet (GS1 Temporary Code) The use of any code value of this codes list is allowed.
	1131	Code list identification code	an..17	O		
	3055	Code list responsible agency code	an..3	D	*	9 GS1 Code value 9 is only used if DE 7065 contains a GS1 code.
Segmentstatus: Optional						
This segment can be used to indicate the total number of packages of the consignment within the hierarchy level defined in the CPS segment. The content of each package is described in the						

Max. Occ. = Maximum Occurrence, St = Status, * = Restricted Codes
Status: M=Mandatory, R=Required, O=Optional, D=Dependent, A=Advised, N=Not used

Segment Layout

Detail section despatch units / articles

following LIN segments.

Example: PAC+1+:52:27+201:::9'

This consignment line contains 1 EURO pallet.

Max. Occ. = Maximum Occurrence, St = Status, * = Restricted Codes
Status: M=Mandatory, R=Required, O=Optional, D=Dependent, A=Advised, N=Not used

Segment Layout

Detail section despatch units / articles

No. Seg	St	Max. Occ.				
89	SG10	O 9999	CPS-FTX-SG11-SG17			
	SG11	O 9999	PAC-MEA-QTY-SG12-SG13			
	MEA	O 1	Measurements			
To specify physical measurements, including dimension tolerances, weights and counts.						
Business Term	DE	EDIFACT	Format	St	*	Description
	6311	Measurement purpose code qualifier	an..3	M	*	PD Physical dimensions (product ordered)
	C502	Measurement details		A		
Number of layers (sandwich pallet)	6313	Measured attribute code	an..3	A	*	LAY Number of layers (GS1 Temporary Code)
	6321	Measurement significance code	an..3	N		
	6155	Non-discrete measurement name code	an..17	N		
	6154	Non-discrete measurement name	an..70	N		
	C174	Value/range		R		
	6411	Measurement unit code	an..3	M	*	H87 Piece (Old code value: PCE)
	6314	Measurement value	an..18	O		
<p>Segmentstatus: Optional</p> <p>This segment is only used to indicate the number of layers of a sandwich pallet.</p> <p>Example: MEA+PD+LAY+H87:3' The sandwich pallet has 3 layers.</p>						

Max. Occ. = Maximum Occurrence, St = Status, * = Restricted Codes
 Status: M=Mandatory, R=Required, O=Optional, D=Dependent, A=Advised, N=Not used

Segment Layout

Detail section despatch units / articles

No. Seg	St	Max. Occ.				
SG10	O	9999	CPS-FTX-SG11-SG17			
SG11	O	9999	PAC-MEA-QTY-SG12-SG13			
90 MEA	O	1	Measurements			
To specify physical measurements, including dimension tolerances, weights and counts.						
Business Term	DE	EDIFACT	Format	St	*	Description
	6311	Measurement purpose code qualifier	an..3	M	*	PD Physical dimensions (product ordered)
	C502	Measurement details		A		
Gross weight of a package (despatch units / articles)	6313	Measured attribute code	an..3	A	*	AAB Unit gross weight
	6321	Measurement significance code	an..3	N		
	6155	Non-discrete measurement name code	an..17	N		
	6154	Non-discrete measurement name	an..70	N		
	C174	Value/range		R		
	6411	Measurement unit code	an..3	M		KGM kilogram TNE tonne (metric ton) All code values from EANCOM code list 6411 and UN/ECE Recommendation 20 code list available.
	6314	Measurement value	an..18	O		
<p>Segmentstatus: Optional</p> <p>This segment is used to provide measurements or dimensions relevant to the packaging unit described in the PAC segment.</p> <p>Example: MEA+PD+AAB+KGM:5' The gross weight is 5 kg.</p>						

Max. Occ. = Maximum Occurrence, St = Status, * = Restricted Codes
 Status: M=Mandatory, R=Required, O=Optional, D=Dependent, A=Advised, N=Not used

Segment Layout

Detail section despatch units / articles

No.	Seg	St	Max.	Occ.	
91	SG10	O	9999		CPS-FTX-SG11-SG17
	SG11	O	9999		PAC-MEA-QTY-SG12-SG13
	MEA	O	1		Measurements
To specify physical measurements, including dimension tolerances, weights and counts.					
Business Term	DE	EDIFACT	Format	St	* Description
	6311	Measurement purpose code qualifier	an..3	M	* PD Physical dimensions (product ordered)
	C502	Measurement details		A	
Volume of package	6313	Measured attribute code	an..3	A	AAW Gross volume
	6321	Measurement significance code	an..3	N	
	6155	Non-discrete measurement name code	an..17	N	
	6154	Non-discrete measurement name	an..70	N	
	C174	Value/range		R	
	6411	Measurement unit code	an..3	M	MTQ cubic metre LTR litre All code values from EANCOM code list 6411 and UN/ECE Recommendation 20 code list available.
	6314	Measurement value	an..18	O	
<p>Segmentstatus: Optional</p> <p>This segment is used to provide measurements or dimensions relevant to the packaging unit described in the PAC segment.</p> <p>Example: MEA+PD+AAW+LTR:1' The gross volume is one cubic metre.</p>					

Max. Occ. = Maximum Occurrence, St = Status, * = Restricted Codes
 Status: M=Mandatory, R=Required, O=Optional, D=Dependent, A=Advised, N=Not used

Segment Layout

Detail section despatch units / articles

No.	Seg	St	Max.	Occ.	
92	SG10	O	9999		CPS-FTX-SG11-SG17
	SG11	O	9999		PAC-MEA-QTY-SG12-SG13
	MEA	O	1		Measurements
To specify physical measurements, including dimension tolerances, weights and counts.					
Business Term	DE	EDIFACT	Format	St	* Description
	6311	Measurement purpose code qualifier	an..3	M	* PD Physical dimensions (product ordered)
	C502	Measurement details		A	
Height of package (despatch units / articles)	6313	Measured attribute code	an..3	A	HT Height dimension WD Width dimension LN Length dimension AEB Stacking height
	6321	Measurement significance code	an..3	N	
	6155	Non-discrete measurement name code	an..17	N	
	6154	Non-discrete measurement name	an..70	N	
	C174	Value/range		R	
	6411	Measurement unit code	an..3	M	MMT millimetre MTR metre All code values from EANCOM code list 6411 and UN/ECE Recommendation 20 code list available.
	6314	Measurement value	an..18	O	
<p>Segmentstatus: Optional</p> <p>This segment is used to provide measurements or dimensions relevant to the packaging unit described in the PAC segment. The value of height is inclusive the height of consignment, e.g. pallet.</p> <p>Example: MEA+PD+HT+MMT:1050' The total height is 1050 mm</p>					

Max. Occ. = Maximum Occurrence, St = Status, * = Restricted Codes
Status: M=Mandatory, R=Required, O=Optional, D=Dependent, A=Advised, N=Not used

Segment Layout

Detail section despatch units / articles

No. Seg	St	Max. Occ.				
93	SG10	O 9999	CPS-FTX-SG11-SG17			
	SG11	O 9999	PAC-MEA-QTY-SG12-SG13			
	MEA	O 1	Measurements			
To specify physical measurements, including dimension tolerances, weights and counts.						
Business Term	DE	EDIFACT	Format	St	*	Description
	6311	Measurement purpose code qualifier	an..3	M	*	PD Physical dimensions (product ordered)
	C502	Measurement details		A		
Gross weight of the consignment	6313	Measured attribute code	an..3	A	*	AAD Total gross weight
	6321	Measurement significance code	an..3	N		
	6155	Non-discrete measurement name code	an..17	N		
	6154	Non-discrete measurement name	an..70	N		
	C174	Value/range		R		
	6411	Measurement unit code	an..3	M		KGM kilogram TNE tonne (metric ton) All code values from EANCOM code list 6411 and UN/ECE Recommendation 20 code list available.
	6314	Measurement value	an..18	O		
<p>Segmentstatus: Optional</p> <p>This segment is used to provide measurements or dimensions relevant to the packaging unit described in the PAC segment. After the first occurrence of the CPS segment the total gross weight of the consignment is provided.</p> <p>Example: MEA+PD+AAD+KGM:10' The gross weight is 5 kg.</p>						

Max. Occ. = Maximum Occurrence, St = Status, * = Restricted Codes
 Status: M=Mandatory, R=Required, O=Optional, D=Dependent, A=Advised, N=Not used

Segment Layout

Detail section despatch units / articles

No. Seg	St	Max. Occ.				
SG10	O	9999	CPS-FTX-SG11-SG17			
SG11	O	9999	PAC-MEA-QTY-SG12-SG13			
SG13	O	1000	PCI-RFF-DTM-SG15			
94 PCI	M	1	Package identification			
To specify markings and labels on individual packages or physical units.						
Business Term	DE	EDIFACT	Format	St	*	Description
Marking with SSCC (despatch units / articles)	4233	Marking instructions code	an..3	R	*	39 Marked with Serial Shipping Container Code (SSCC)
Segmentstatus: Optional						
The PCI segment details markings with SSCC.						
Example: PCI+39' Package identification						

Max. Occ. = Maximum Occurrence, St = Status, * = Restricted Codes
 Status: M=Mandatory, R=Required, O=Optional, D=Dependent, A=Advised, N=Not used

Segment Layout

Detail section despatch units / articles

No.	Seg	St	Max.	Occ.		
	SG10	O	9999		CPS-FTX-SG11-SG17	
	SG11	O	9999		PAC-MEA-QTY-SG12-SG13	
	SG13	O	1000		PCI-RFF-DTM-SG15	
	SG15	O	99		GIN	
95	GIN	M	1		Goods identity number	
To give specific identification numbers, either as single numbers or ranges.						
Business Term	DE	EDIFACT	Format	St	*	Description
	7405	Object identification code qualifier	an..3	M	*	AW Serial shipping container code (Old code value: BJ)
	C208	Identity number range		M		
Serial Shipping Container Code (SSCC at article)	7402	Object identifier	an..35	M		
Segmentstatus: Optional						
This segment provides the SSCC to uniquely indentify individual packages.						
Example: GIN+AW+340123450000000014'						
The SSCC is 340123450000000014.						

Max. Occ. = Maximum Occurrence, St = Status, * = Restricted Codes
 Status: M=Mandatory, R=Required, O=Optional, D=Dependent, A=Advised, N=Not used

Segment Layout

Detail section despatch units / articles

No. Seg	St	Max. Occ.				
SG10	O	9999	CPS-FTX-SG11-SG17			
SG11	O	9999	PAC-MEA-QTY-SG12-SG13			
SG13	O	1000	PCI-RFF-DTM-SG15			
96 PCI	M	1	Package identification			
To specify markings and labels on individual packages or physical units.						
Business Term	DE	EDIFACT	Format	St	*	Description
Marking with GRAI (despatch units/articles)	4233	Marking instructions code	an..3	R	*	47 Marked with GS1 Global Returnable Asset Identifier (GRAI)
Segmentstatus: Optional						
This segment is used to provide markings with GRAI.						
Example: PCI+47' Identification with GRAI						

Max. Occ. = Maximum Occurrence, St = Status, * = Restricted Codes
 Status: M=Mandatory, R=Required, O=Optional, D=Dependent, A=Advised, N=Not used

Segment Layout

Detail section despatch units / articles

No.	Seg	St	Max. Occ.	
	SG10	O	9999	CPS-FTX-SG11-SG17
	SG11	O	9999	PAC-MEA-QTY-SG12-SG13
	SG13	O	1000	PCI-RFF-DTM-SG15
	SG15	O	99	GIN
97	GIN	M	1	Goods identity number

To give specific identification numbers, either as single numbers or ranges.

Business Term	DE	EDIFACT	Format	St	*	Description
	7405	Object identification code qualifier	an..3	M		DA GS1 Global Returnable Asset Identifier, without serial number DB GS1 Global Returnable Asset Identifier, with serial number (Old code value: RAG)
	C208	Identity number range		M		
Global Returnable Asset Identifier (GRAI) (despatch units/articles)	7402	Object identifier	an..35	M		

Segmentstatus: Optional

This segment provides the GRAI. It may not be used to identify or track goods connected to the transport packaging and should therefore only be used in combination with SSCC.

Example: GIN+DA+401234500003000125'

The GRAI is 401234500003000125

Max. Occ. = Maximum Occurrence, St = Status, * = Restricted Codes
Status: M=Mandatory, R=Required, O=Optional, D=Dependent, A=Advised, N=Not used

Segment Layout

Detail section despatch units / articles

No.	Seg	St	Max.	Occ.				
	SG10	O	9999		CPS-FTX-SG11-SG17			
	SG11	O	9999		PAC-MEA-QTY-SG12-SG13			
	SG13	O	1000		PCI-RFF-DTM-SG15			
98	PCI	M	1		Package identification			
To specify markings and labels on individual packages or physical units.								
Business Term		DE	EDIFACT		Format	St	*	Description
Marking with GIAI (despatch unit/s /articles)		4233	Marking instructions code		an..3	R	*	34 Marked GS1 Global Individual Asset Identifier (Old code value: 42G)
Segmentstatus: Optional								
This segment is used to provide markings with GIAI.								
Example: PCI+34' Identification with GIAI								

Max. Occ. = Maximum Occurrence, St = Status, * = Restricted Codes
 Status: M=Mandatory, R=Required, O=Optional, D=Dependent, A=Advised, N=Not used

Segment Layout

Detail section despatch units / articles

No.	Seg	St	Max.	Occ.		
	SG10	O	9999		CPS-FTX-SG11-SG17	
	SG11	O	9999		PAC-MEA-QTY-SG12-SG13	
	SG13	O	1000		PCI-RFF-DTM-SG15	
	SG15	O	99		GIN	
99	GIN	M	1		Goods identity number	
To give specific identification numbers, either as single numbers or ranges.						
Business Term	DE	EDIFACT	Format	St	*	Description
	7405	Object identification code qualifier	an..3	M	*	CU GS1 Global Individual Asset Identifier (Old code value: IAG)
	C208	Identity number range		M		
Global Individual Asset Identifier (GIAI) (despatch unit/s /articles)	7402	Object identifier	an..35	M		
<p>Segmentstatus: Optional</p> <p>This segment provides the GIAI. It may not be used to identify or track contained goods and should therefore only be used in combination with SSCC.</p> <p>Example: GIN+CU+40123456XY157' The GIAI is 40123456XY157</p>						

Max. Occ. = Maximum Occurrence, St = Status, * = Restricted Codes
 Status: M=Mandatory, R=Required, O=Optional, D=Dependent, A=Advised, N=Not used

Segment Layout

Detail section despatch units / articles

No. Seg	St	Max. Occ.				
SG10	O	9999	CPS-FTX-SG11-SG17			
SG11	O	9999	PAC-MEA-QTY-SG12-SG13			
SG13	O	1000	PCI-RFF-DTM-SG15			
100	PCI	M 1	Package identification			
To specify markings and labels on individual packages or physical units.						
Business Term	DE	EDIFACT	Format	St	*	Description
Marking with number of a package (consignment)	4233	Marking instructions code	an..3	R	*	IEN Package Identity Number (GS1 Temporary Code)
	C210	Marks & labels		R		
Number of a package	7102	Shipping marks description	an..35	M		The number of a package may only be used additionally to SSCC.
Segmentstatus: Optional						
This segment is used to provide markings with a number of a package.						
Example: PCI+IEN+12337616644' Package identification						

Max. Occ. = Maximum Occurrence, St = Status, * = Restricted Codes
 Status: M=Mandatory, R=Required, O=Optional, D=Dependent, A=Advised, N=Not used

Segment Layout

Detail section despatch units / articles

No.	Seg	St	Max. Occ.			
	SG10	O	9999	CPS-FTX-SG11-SG17		
	SG11	O	9999	PAC-MEA-QTY-SG12-SG13		
	SG13	O	1000	PCI-RFF-DTM-SG15		
101	PCI	M	1	Package identification		
To specify markings and labels on individual packages or physical units.						
Business Term	DE	EDIFACT	Format	St	*	Description
	4233	Marking instructions code	an..3	A		16 Buyer's instructions
	C210	Marks & labels		D		
Label type, code	7102	Shipping marks description	an..35	M		
Label, description/content	7102	Shipping marks description	an..35	O		
Segmentstatus: Optional						
This segment is used to indicate label information. The use of DE 7102 must be bilaterally agreed.						
Example: PCI+16+Code:DESCR' Label information						

Max. Occ. = Maximum Occurrence, St = Status, * = Restricted Codes
Status: M=Mandatory, R=Required, O=Optional, D=Dependent, A=Advised, N=Not used

Segment Layout

Detail section articles

No.	Seg	St	Max. Occ.			
	SG10	O	9999	CPS-FTX-SG11-SG17		
	SG17	O	9999	LIN-PIA-IMD-MEA-QTY-ALI-DLM-DTM-FTX-MOA-SG18-SG20-SG22-SG25		
102	LIN	M	1	Line item To identify a line item and configuration.		
Business Term	DE	EDIFACT	Format	St	*	Description
Line item number	1082	Line item identifier	an..6	R		Application generated number of the item lines within the message
	1229	Action request/ notification description code	an..3	N		
	C212	Item number identification		D		
GTIN Article identification	7140	Item identifier	an..35	R		GTIN, Format n..14
	7143	Item type identification code	an..3	R	*	SRV GS1 Global Trade Item Number
<p>Status of segment group: Optional Segmentstatus: Mandatory</p> <p>The LIN segment is used to identify the products contained in the consignment. The GTIN indicated here is the one from the ORDERS.</p> <p>Example: <code>LIN+1++4056786542381:SRV'</code> The despatched product is identified by GTIN 4056786542381.</p>						

Max. Occ. = Maximum Occurrence, St = Status, * = Restricted Codes
Status: M=Mandatory, R=Required, O=Optional, D=Dependent, A=Advised, N=Not used

Segment Layout

Detail section articles

No.	Seg	St	Max.	Occ.	
	SG10	O	9999		CPS-FTX-SG11-SG17
	SG17	O	9999		LIN-PIA-IMD-MEA-QTY-ALI-DLM-DTM-FTX-MOA-SG18-SG20-SG22-SG25
103	PIA	D	1		Additional product id To specify additional or substitutional item identification codes.

Business Term	DE	EDIFACT	Format	St	*	Description
	4347	Product identifier code qualifier	an..3	M	*	5 Product identification
	C212	Item number identification		M		
Type number	7140	Item identifier	an..35	R		
	7143	Item type identification code	an..3	R	*	MN Model number
	1131	Code list identification code	an..17	N		
	3055	Code list responsible agency code	an..3	R		246 GS1 Germany

Segmentstatus: Depending

This segment is only used, if LIN segment does not provide a GTIN and the identification of empties is made by type numbers. Then it must follow the LIN segment immediately. In this case LIN segment (mandatory) only provides the line item number.

Example: PIA+5+40233301000079:MN: :246'

Only if LIN does not provide a GTIN: Identification of empties in PIA

Max. Occ. = Maximum Occurrence, St = Status, * = Restricted Codes
 Status: M=Mandatory, R=Required, O=Optional, D=Dependent, A=Advised, N=Not used

Segment Layout

Detail section articles

No.	Seg	St	Max.	Occ.	
	SG10	O	9999		CPS-FTX-SG11-SG17
	SG17	O	9999		LIN-PIA-IMD-MEA-QTY-ALI-DLM-DTM-FTX-MOA-SG18-SG20-SG22-SG25
104	PIA	D	1		Additional product id To specify additional or substitutional item identification codes.

Business Term	DE	EDIFACT	Format	St	*	Description
	4347	Product identifier code qualifier	an..3	M	*	5 Product identification
	C212	Item number identification		M		
Suppliers article number	7140	Item identifier	an..35	R		
	7143	Item type identification code	an..3	R	*	SA Supplier's article number
	1131	Code list identification code	an..17	N		
	3055	Code list responsible agency code	an..3	R	*	91 Assigned by supplier or supplier's agent

Segmentstatus: Mandatory, if LIN segment does not provide a GTIN, otherwise segment is not used.

This segment is only used, if LIN segment does not provide a GTIN. It than must follow the LIN segment immediatly. In this case LIN segment (mandatory) only provides the line item number. Identification of the article is done by use of the suppliers article number in this PIA segment, DE 4347 is filled with "5" for primary identification.

Book:

The suppliers article number can be used as primary identification. The application of both numbering systems at the same time is not allowed, if DE 4347 filled with "5" for primary identification is used.

Example: PIA+5+ABC5343:SA: :91'

Only if LIN does not provide GTIN: Articleidentification in PIA

Max. Occ. = Maximum Occurrence, St = Status, * = Restricted Codes
Status: M=Mandatory, R=Required, O=Optional, D=Dependent, A=Advised, N=Not used

Segment Layout

Detail section articles

No.	Seg	St	Max.	Occ.	
	SG10	O	9999		CPS-FTX-SG11-SG17
	SG17	O	9999		LIN-PIA-IMD-MEA-QTY-ALI-DLM-DTM-FTX-MOA-SG18-SG20-SG22-SG25
105	PIA	D	1		Additional product id To specify additional or substitutional item identification codes.

Business Term	DE	EDIFACT	Format	St	*	Description
	4347	Product identifier code qualifier	an..3	M	*	3 Substituted by
	C212	Item number identification		M		
Substitute article	7140	Item identifier	an..35	R		
	7143	Item type identification code	an..3	R	*	SRV GS1 Global Trade Item Number
	1131	Code list identification code	an..17	N		
	3055	Code list responsible agency code	an..3	R	*	9 GS1

Segmentstatus: Mandatory, if the article number has been changed, otherwise segment is not used.

This function can be used within the DESADV to indicate a change of the article number. The LIN segment provides the GTIN of the ordered product and the PIA segment provides the substitute article GTIN.

Example: PIA+3+4025894315970:SRV::9'
Substitute article GTIN

Max. Occ. = Maximum Occurrence, St = Status, * = Restricted Codes
Status: M=Mandatory, R=Required, O=Optional, D=Dependent, A=Advised, N=Not used

Segment Layout

Detail section articles

No.	Seg	St	Max. Occ.	
	SG10	O	9999	CPS-FTX-SG11-SG17
	SG17	O	9999	LIN-PIA-IMD-MEA-QTY-ALI-DLM-DTM-FTX-MOA-SG18-SG20-SG22-SG25
106	PIA	O	1	Additional product id To specify additional or substitutional item identification codes.

Business Term	DE	EDIFACT	Format	St	*	Description
	4347	Product identifier code qualifier	an..3	M	*	1 Additional identification
	C212	Item number identification		M		
Suppliers article number (secondary indent.)	7140	Item identifier	an..35	R		
	7143	Item type identification code	an..3	R	*	SA Supplier's article number
	1131	Code list identification code	an..17	N		
	3055	Code list responsible agency code	an..3	R	*	91 Assigned by supplier or supplier's agent

Segmentstatus: Optional

This segment is used to advise the suppliers article number additionally to GTIN.

Example: PIA+1+7788:SA::91'

The product with GTIN 4056786542381 is additionally identified with suppliers article number 7788.

Max. Occ. = Maximum Occurrence, St = Status, * = Restricted Codes
 Status: M=Mandatory, R=Required, O=Optional, D=Dependent, A=Advised, N=Not used

Segment Layout

Detail section articles

No.	Seg	St	Max.	Occ.	
	SG10	O	9999		CPS-FTX-SG11-SG17
	SG17	O	9999		LIN-PIA-IMD-MEA-QTY-ALI-DLM-DTM-FTX-MOA-SG18-SG20-SG22-SG25
107	PIA	O	1		Additional product id To specify additional or substitutional item identification codes.

Business Term	DE	EDIFACT	Format	St	*	Description
	4347	Product identifier code qualifier	an..3	M	*	1 Additional identification
	C212	Item number identification		M		
Buyers article number	7140	Item identifier	an..35	R		
	7143	Item type identification code	an..3	R	*	IN Buyer's item number
	1131	Code list identification code	an..17	N		
	3055	Code list responsible agency code	an..3	R	*	92 Assigned by buyer or buyer's agent

Segmentstatus: Optional

This segment is used to advise the buyers article number additionally to GTIN.

Example: **PIA+1+1234:IN::92'**
 The product with GTIN 4056786542381 is additionally identified with buyers article number 1234.

Max. Occ. = Maximum Occurrence, St = Status, * = Restricted Codes
 Status: M=Mandatory, R=Required, O=Optional, D=Dependent, A=Advised, N=Not used

Segment Layout

Detail section articles

No.	Seg	St	Max. Occ.	
	SG10	O	9999	CPS-FTX-SG11-SG17
	SG17	O	9999	LIN-PIA-IMD-MEA-QTY-ALI-DLM-DTM-FTX-MOA-SG18-SG20-SG22-SG25
108	PIA	O	1	Additional product id

To specify additional or substitutional item identification codes.

Business Term	DE	EDIFACT	Format	St	*	Description
	4347	Product identifier code qualifier	an..3	M	*	1 Additional identification
	C212	Item number identification		M		
Articles promotional variant	7140	Item identifier	an..35	R		Article number
	7143	Item type identification code	an..3	R	*	PV Promotional variant number
	1131	Code list identification code	an..17	N		
	3055	Code list responsible agency code	an..3	R	*	9 GS1 91 Assigned by supplier or supplier's agent 92 Assigned by buyer or buyer's agent

Segmentstatus: Optional

This segment is used to mark an article as a promotional variant.

DE 7143 = PV, promotional variant: The number supplementing the identification code of a product identifies this product as a variant of the standard product. To be used if the variant has only minimal differences and a changed of the main identification code is not justified.

Example: PIA+1+4056786542381:PV::9'

The product identified with GTIN 4056786542381 is a promotional variant.

Max. Occ. = Maximum Occurrence, St = Status, * = Restricted Codes
 Status: M=Mandatory, R=Required, O=Optional, D=Dependent, A=Advised, N=Not used

Segment Layout

Detail section articles

No.	Seg	St	Max.	Occ.	
	SG10	O	9999		CPS-FTX-SG11-SG17
	SG17	O	9999		LIN-PIA-IMD-MEA-QTY-ALI-DLM-DTM-FTX-MOA-SG18-SG20-SG22-SG25
109	PIA	O	1		Additional product id To specify additional or substitutional item identification codes.

Business Term	DE	EDIFACT	Format	St	*	Description
	4347	Product identifier code qualifier	an..3	M	*	1 Additional identification
	C212	Item number identification		M		
Batch number	7140	Item identifier	an..35	R		
	7143	Item type identification code	an..3	R	*	NB Batch number
	1131	Code list identification code	an..17	N		
	3055	Code list responsible agency code	an..3	R	*	91 Assigned by supplier or supplier's agent

Segmentstatus: Optional

This segment can be used to indicate the batch number.

Example: PIA+1+CH-X4711:NB::91'

The batch number of the product is CH-X4711.

Max. Occ. = Maximum Occurrence, St = Status, * = Restricted Codes
 Status: M=Mandatory, R=Required, O=Optional, D=Dependent, A=Advised, N=Not used

Segment Layout

Detail section articles

No.	Seg	St	Max.	Occ.	
	SG10	O	9999		CPS-FTX-SG11-SG17
	SG17	O	9999		LIN-PIA-IMD-MEA-QTY-ALI-DLM-DTM-FTX-MOA-SG18-SG20-SG22-SG25
110	PIA	O	1		Additional product id To specify additional or substitutional item identification codes.

Business Term	DE	EDIFACT	Format	St	*	Description
	4347	Product identifier code qualifier	an..3	M	*	1 Additional identification
	C212	Item number identification		M		
Serial number	7140	Item identifier	an..35	R		
	7143	Item type identification code	an..3	R	*	SN Serial number
	1131	Code list identification code	an..17	N		
	3055	Code list responsible agency code	an..3	R	*	91 Assigned by supplier or supplier's agent 92 Assigned by buyer or buyer's agent

Segmentstatus: Optional

This segment can be used to indicate the serial number of a product.

Example: PIA+1+CH-X4711:SN::91'

The serial number of the product is SE-X4711.

Max. Occ. = Maximum Occurrence, St = Status, * = Restricted Codes
Status: M=Mandatory, R=Required, O=Optional, D=Dependent, A=Advised, N=Not used

Segment Layout

Detail section articles

No.	Seg	St	Max.	Occ.	
	SG10	O	9999		CPS-FTX-SG11-SG17
	SG17	O	9999		LIN-PIA-IMD-MEA-QTY-ALI-DLM-DTM-FTX-MOA-SG18-SG20-SG22-SG25
111	PIA	O	1		Additional product id To specify additional or substitutional item identification codes.

Business Term	DE	EDIFACT	Format	St	*	Description
	4347	Product identifier code qualifier	an..3	M	*	1 Additional identification
	C212	Item number identification		M		
Class of goods	7140	Item identifier	an..35	R		
	7143	Item type identification code	an..3	R	*	GB Buyer's internal product group code
	1131	Code list identification code	an..17	N		
	3055	Code list responsible agency code	an..3	R	*	92 Assigned by buyer or buyer's agent

Segmentstatus: Optional

This segment is used to display the class of goods.

Example: PIA+1+4711:GB::92'

The article belongs to the class of goods "4711"

Max. Occ. = Maximum Occurrence, St = Status, * = Restricted Codes
 Status: M=Mandatory, R=Required, O=Optional, D=Dependent, A=Advised, N=Not used

Segment Layout

Detail section articles

No.	Seg	St	Max. Occ.	
	SG10	O	9999	CPS-FTX-SG11-SG17
	SG17	O	9999	LIN-PIA-IMD-MEA-QTY-ALI-DLM-DTM-FTX-MOA-SG18-SG20-SG22-SG25
112	PIA	O	10	Additional product id To specify additional or substitutional item identification codes.

Business Term	DE	EDIFACT	Format	St	*	Description
	4347	Product identifier code qualifier	an..3	M	*	1 Additional identification
	C212	Item number identification		M		
Batch number	7140	Item identifier	an..35	R		
	7143	Item type identification code	an..3	R	*	NB Batch number
	1131	Code list identification code	an..17	N		
	3055	Code list responsible agency code	an..3	R	*	91 Assigned by supplier or supplier's agent
	C212	Item number identification		O		
Harmonised system	7140	Item identifier	an..35	R		
	7143	Item type identification code	an..3	R	*	HS Harmonised system
	1131	Code list identification code	an..17	N		
	3055	Code list responsible agency code	an..3	D		
	C212	Item number identification		O		
Articles promotional variant	7140	Item identifier	an..35	R		
	7143	Item type identification code	an..3	R	*	PV Promotional variant number
	1131	Code list identification code	an..17	N		
	3055	Code list responsible agency code	an..3	R	*	9 GS1 91 Assigned by supplier or supplier's agent 92 Assigned by buyer or buyer's agent

Segmentstatus: Optional

This segment is used if the previous PIA segment can not provide all relevant information.

Note: One PIA segment with five C212 or five Pia segments with one C212 each can be used in the

Max. Occ. = Maximum Occurrence, St = Status, * = Restricted Codes
Status: M=Mandatory, R=Required, O=Optional, D=Dependent, A=Advised, N=Not used

Segment Layout

Detail section articles

same way, if the content of DE 4347 is identical.

Example: PIA+1+CH-5343:NB: :91+XYZ987:HS+4012368259753:PV: :91 '
Batch number, Harmonized system, Promotional variant

Max. Occ. = Maximum Occurrence, St = Status, * = Restricted Codes
Status: M=Mandatory, R=Required, O=Optional, D=Dependent, A=Advised, N=Not used

Segment Layout

Detail section articles

No.	Seg	St	Max.	Occ.	
	SG10	O	9999		CPS-FTX-SG11-SG17
	SG17	O	9999		LIN-PIA-IMD-MEA-QTY-ALI-DLM-DTM-FTX-MOA-SG18-SG20-SG22-SG25
113	PIA	O	1		Additional product id To specify additional or substitutional item identification codes.

Business Term	DE	EDIFACT	Format	St	*	Description
	4347	Product identifier code qualifier	an..3	M	*	1 Additional identification
	C212	Item number identification		M		
GPC - GS1 Global Product Classification	7140	Item identifier	an..35	R		
	7143	Item type identification code	an..3	R	*	BRI Brick Code (GS1 Temporary Code)
	1131	Code list identification code	an..17	N		
	3055	Code list responsible agency code	an..3	R	*	9 GS1

Segmentstatus: Optional

This segment is used to specify additional item identification codes.

Example: PIA+1+10000276:BRI::9'
Brick Code for wine

Max. Occ. = Maximum Occurrence, St = Status, * = Restricted Codes
Status: M=Mandatory, R=Required, O=Optional, D=Dependent, A=Advised, N=Not used

Segment Layout

Detail section articles

No.	Seg	St	Max. Occ.	
	SG10	O	9999	CPS-FTX-SG11-SG17
	SG17	O	9999	LIN-PIA-IMD-MEA-QTY-ALI-DLM-DTM-FTX-MOA-SG18-SG20-SG22-SG25
114	PIA	O	1	Additional product id To specify additional or substitutional item identification codes.

Business Term	DE	EDIFACT	Format	St	*	Description
	4347	Product identifier code qualifier	an..3	M	*	1 Additional identification
	C212	Item number identification		M		
GPC - Attribute type	7140	Item identifier	an..35	R		
	7143	Item type identification code	an..3	R	*	GAT GPC Brick attribute type (GS1 Temporary Code)
	1131	Code list identification code	an..17	N		
	3055	Code list responsible agency code	an..3	R	*	9 GS1
	C212	Item number identification		O		
GPC - Attribute value	7140	Item identifier	an..35	R		
	7143	Item type identification code	an..3	R	*	GAV GPC brick attribute value (GS1 Temporary Code)
	1131	Code list identification code	an..17	N		
	3055	Code list responsible agency code	an..3	R	*	9 GS1

Segmentstatus: Optional

This segment is used to specify additional item identification codes.

This segment may only be used if the prior PIA segment indicates DE 7143 = BRI. Attribute type and attribute value have to be indicated together in this segment. For transmission of multiple attributes this PIA segment will be repeated.

Example: PIA+1+20000217:GAT::9+30002816:GAV::9'
Attribute type Colour of wine, Attribute value rosé

Max. Occ. = Maximum Occurrence, St = Status, * = Restricted Codes
Status: M=Mandatory, R=Required, O=Optional, D=Dependent, A=Advised, N=Not used

Segment Layout

Detail section articles

No.	Seg	St	Max. Occ.	
	SG10	O	9999	CPS-FTX-SG11-SG17
	SG17	O	9999	LIN-PIA-IMD-MEA-QTY-ALI-DLM-DTM-FTX-MOA-SG18-SG20-SG22-SG25
115	IMD	O	1	Item description To describe an item in either an industry or free format.

Business Term	DE	EDIFACT	Format	St	*	Description
	7077	Description format code	an..3	R	*	B Code and text F Free-form
	C272	Item characteristic		R		
	7081	Item characteristic code	an..3	R	*	35 Colour
	1131	Code list identification code	an..17	N		
	3055	Code list responsible agency code	an..3	N		
	C273	Item description		A		
Colour identifier	7009	Item description code	an..17	D		
	1131	Code list identification code	an..17	O		
	3055	Code list responsible agency code	an..3	D	*	92 Assigned by buyer or buyer's agent 91 Assigned by supplier or supplier's agent
Colour name	7008	Item description	an..25	R		The length of DE 7008 is restricted to 70 characters. Bigger sizes have to be agreed bilaterally.
	7008	Item description	an..25	N		
	3453	Language name code	an..3	O		ISO 639 2-Alpha Code

Segmentstatus: Optional

This segment is only used to describe the current line item if the used GTIN is not yet unique. The colour name is given in clear text, e.g. red, blue, green, etc. by use of code value F in DE 7077. If additionally a colour identifier is provided in DE 7009 then code value B is used for DE 7077.

Example: `IMD+B+35+AZUR::91:Blau::DE'`
The product identified by GTIN 4056786542381 is blue.

Max. Occ. = Maximum Occurrence, St = Status, * = Restricted Codes
Status: M=Mandatory, R=Required, O=Optional, D=Dependent, A=Advised, N=Not used

Segment Layout

Detail section articles

No. Seg	St	Max. Occ.				
SG10	O	9999	CPS-FTX-SG11-SG17			
SG17	O	9999	LIN-PIA-IMD-MEA-QTY-ALI-DLM-DTM-FTX-MOA-SG18-SG20-SG22-SG25			
116	IMD	O 1	Item description To describe an item in either an industry or free format.			
Business Term	DE	EDIFACT	Format	St	*	Description
	7077	Description format code	an..3	R	*	B Code and text F Free-form
	C272	Item characteristic		R		
	7081	Item characteristic code	an..3	R	*	SGR Size grid (GS1 Temporary Code) alternatively: 98 Size only non-numeric values
	1131	Code list identification code	an..17	N		
	3055	Code list responsible agency code	an..3	D	*	9 GS1 Must be used if DE 7081 contains a GS1 Code
	C273	Item description		A		
Size, identifier	7009	Item description code	an..17	D		
	1131	Code list identification code	an..17	N		
	3055	Code list responsible agency code	an..3	D	*	92 Assigned by buyer or buyer's agent 91 Assigned by supplier or supplier's agent
Size of fruit/vegetables or textiles	7008	Item description	an..25	R		The length of DE 7008 is restricted to 70 characters. Bigger sizes have to be agreed bilaterally.
	7008	Item description	an..25	N		
	3453	Language name code	an..3	O		ISO 639 2-Alpha Code
<p>Segmentstatus: Optional</p> <p>This segment is only used to describe the current line item if the used GTIN is not yet unique. The size name is given in clear text by use of code value F in DE 7077. If additionally a size identifier is provided in DE 7009 than code value B is used for DE 7077.</p> <p>Example: IMD+B+SGR::9+30/31::91:Extra small::DE' The product identified by GTIN 4056786542381 has got size 30/31.</p>						

Max. Occ. = Maximum Occurrence, St = Status, * = Restricted Codes
Status: M=Mandatory, R=Required, O=Optional, D=Dependent, A=Advised, N=Not used

Segment Layout

Detail section articles

No.	Seg	St	Max.	Occ.	
	SG10	O	9999		CPS-FTX-SG11-SG17
	SG17	O	9999		LIN-PIA-IMD-MEA-QTY-ALI-DLM-DTM-FTX-MOA-SG18-SG20-SG22-SG25
117	IMD	O	1		Item description To describe an item in either an industry or free format.

Business Term	DE	EDIFACT	Format	St	*	Description
	7077	Description format code	an..3	R	*	A Free-form long description
	C272	Item characteristic		O		
	7081	Item characteristic code	an..3	R		
	C273	Item description		R		
	7009	Item description code	an..17	N		
	1131	Code list identification code	an..17	N		
	3055	Code list responsible agency code	an..3	N		
Article long description	7008	Item description	an..25	R		The length of DE 7008 is restricted to 70 characters. Bigger sizes have to be agreed bilaterally.
	7008	Item description	an..25	N		
	3453	Language name code	an..3	O		ISO 639 2-Alpha Code

Segmentstatus: Optional

This segment can used to provide a description for the substitute article.

Example: `IMD+A+:::Rudi Rüssel::DE'`
 Article long description: Rudi Rüssel

Max. Occ. = Maximum Occurrence, St = Status, * = Restricted Codes
 Status: M=Mandatory, R=Required, O=Optional, D=Dependent, A=Advised, N=Not used

Segment Layout

Detail section articlesnit

No.	Seg	St	Max. Occ.	
	SG10	O	9999	CPS-FTX-SG11-SG17
	SG17	O	9999	LIN-PIA-IMD-MEA-QTY-ALI-DLM-DTM-FTX-MOA-SG18-SG20-SG22-SG25
118	IMD	O	1	Item description To describe an item in either an industry or free format.

Business Term	DE	EDIFACT	Format	St	*	Description
	7077	Description format code	an..3	R	*	C Code (from industry code list)
	C272	Item characteristic		N		
	7081	Item characteristic code	an..3	R		
	C273	Item description		R		
Display	7009	Item description code	an..17	R	*	SG Standard group of products (mixed assortment) (GS1 Permanent Code)
	1131	Code list identification code	an..17	N		
	3055	Code list responsible agency code	an..3	D	*	9 GS1 Must be used if DE 7009 contains a GS1 Code

Segmentstatus: Optional

This segment is used to provide a description for the current line item.

This segment is only used when the invoiced article is a display/mixed assortment. Then a specific sub-line must follow (Description 2. detail section)

Example: **IMD+C++SG::9'**

Display, it is an assortment unit

Max. Occ. = Maximum Occurrence, St = Status, * = Restricted Codes
Status: M=Mandatory, R=Required, O=Optional, D=Dependent, A=Advised, N=Not used

Segment Layout

1.Detail section - invoiced unit

No.	Seg	St	Max.	Occ.	
	SG10	O	9999		CPS-FTX-SG11-SG17
	SG17	O	9999		LIN-PIA-IMD-MEA-QTY-ALI-DLM-DTM-FTX-MOA-SG18-SG20-SG22-SG25
119	IMD	O	1		Item description To describe an item in either an industry or free format.

Business Term	DE	EDIFACT	Format	St	*	Description
	7077	Description format code	an..3	R	*	C Code (from industry code list)
	C272	Item characteristic		N		
	7081	Item characteristic code	an..3	R		
	C273	Item description		R		
Transport Medium Unit (Pallet, Container,)	7009	Item description code	an..17	R		
	1131	Code list identification code	an..17	N		
	3055	Code list responsible agency code	an..3	D	*	246 GS1 Germany Must be used because DE 7009 contains no EDIFACT Code

Segmentstatus: Optional

This segment is used to provide a description for the current line item.

This segment is used to identify the position as a Transport Medium Unit (Pallet, Container,)

Example: **IMD+C++ACA: :246'**

GTIN identifies a Transport Medium Unit (Pallet, Container,)

Max. Occ. = Maximum Occurrence, St = Status, * = Restricted Codes
 Status: M=Mandatory, R=Required, O=Optional, D=Dependent, A=Advised, N=Not used

Segment Layout

Detail section articles

No.	Seg	St	Max.	Occ.	
	SG10	O	9999		CPS-FTX-SG11-SG17
	SG17	O	9999		LIN-PIA-IMD-MEA-QTY-ALI-DLM-DTM-FTX-MOA-SG18-SG20-SG22-SG25
120	MEA	O	1		Measurements
To specify physical measurements, including dimension tolerances, weights and counts.					
Business Term	DE	EDIFACT	Format	St	* Description
	6311	Measurement purpose code qualifier	an..3	M	* AAI Item weight
	C502	Measurement details		A	
Net weight of a single unit	6313	Measured attribute code	an..3	A	* AAA Unit net weight
	6321	Measurement significance code	an..3	N	
	6155	Non-discrete measurement name code	an..17	N	
	6154	Non-discrete measurement name	an..70	N	
	C174	Value/range		R	
	6411	Measurement unit code	an..3	M	KGM kilogram TNE tonne (metric ton) All code values from EANCOM code list 6411 and UN/ECE Recommendation 20 code list available.
	6314	Measurement value	an..18	O	
Segmentstatus: Optional					
This segment is used to specify the actual physical dimensions of the line item where the product is being despatched in variable lengths or volumes.					
Example: MEA+AAI+AAA+KGM:4' The net weight is 4 kg.					

Max. Occ. = Maximum Occurrence, St = Status, * = Restricted Codes
 Status: M=Mandatory, R=Required, O=Optional, D=Dependent, A=Advised, N=Not used

Segment Layout

Detail section articles

No.	Seg	St	Max.	Occ.	
	SG10	O	9999		CPS-FTX-SG11-SG17
	SG17	O	9999		LIN-PIA-IMD-MEA-QTY-ALI-DLM-DTM-FTX-MOA-SG18-SG20-SG22-SG25
121	MEA	O	1		Measurements To specify physical measurements, including dimension tolerances, weights and counts.

Business Term	DE	EDIFACT	Format	St	*	Description
	6311	Measurement purpose code qualifier	an..3	M	*	AAI Item weight
	C502	Measurement details		A		
Gross weight of a single unit	6313	Measured attribute code	an..3	A	*	AAB Unit gross weight
	6321	Measurement significance code	an..3	N		
	6155	Non-discrete measurement name code	an..17	N		
	6154	Non-discrete measurement name	an..70	N		
	C174	Value/range		R		
	6411	Measurement unit code	an..3	M		KGM kilogram TNE tonne (metric ton) All code values from EANCOM code list 6411 and UN/ECE Recommendation 20 code list available.
	6314	Measurement value	an..18	O		

Segmentstatus: Optional

This segment is used to specify the actual physical dimensions of the line item where the product is being despatched in variable lengths or volumes.

Example: **MEA+AAI+AAB+KGM:5'**
The gross weight is 5 kg.

Max. Occ. = Maximum Occurrence, St = Status, * = Restricted Codes
Status: M=Mandatory, R=Required, O=Optional, D=Dependent, A=Advised, N=Not used

Segment Layout

Detail section articles

No.	Seg	St	Max.	Occ.	
	SG10	O	9999		CPS-FTX-SG11-SG17
	SG17	O	9999		LIN-PIA-IMD-MEA-QTY-ALI-DLM-DTM-FTX-MOA-SG18-SG20-SG22-SG25
122	MEA	O	1		Measurements
To specify physical measurements, including dimension tolerances, weights and counts.					
Business Term	DE	EDIFACT	Format	St	* Description
	6311	Measurement purpose code qualifier	an..3	M	* PD Physical dimensions (product ordered)
	C502	Measurement details		A	
Volume of a single unit	6313	Measured attribute code	an..3	A	* AAW Gross volume
	6321	Measurement significance code	an..3	N	
	6155	Non-discrete measurement name code	an..17	N	
	6154	Non-discrete measurement name	an..70	N	
	C174	Value/range		R	
	6411	Measurement unit code	an..3	M	MTQ cubic metre LTR litre All code values from EANCOM code list 6411 and UN/ECE Recommendation 20 code list available.
	6314	Measurement value	an..18	O	
Segmentstatus: Optional					
This segment is used to specify the actual physical dimensions of the line item where the product is being despatched in variable lengths or volumes.					
Example: MEA+PD+AAW+LTR:1' The gross volume is 1 cubic metre.					

Max. Occ. = Maximum Occurrence, St = Status, * = Restricted Codes
Status: M=Mandatory, R=Required, O=Optional, D=Dependent, A=Advised, N=Not used

Segment Layout

Detail section articles

No.	Seg	St	Max. Occ.	
	SG10	O	9999	CPS-FTX-SG11-SG17
	SG17	O	9999	LIN-PIA-IMD-MEA-QTY-ALI-DLM-DTM-FTX-MOA-SG18-SG20-SG22-SG25
123	MEA	D	1	Measurements

To specify physical measurements, including dimension tolerances, weights and counts.

Business Term	DE	EDIFACT	Format	St	*	Description
	6311	Measurement purpose code qualifier	an..3	M	*	ABW Unit of measure used for invoiced quantities
	C502	Measurement details		A		
Total weight of the line item	6313	Measured attribute code	an..3	A		AAL Net weight
	6321	Measurement significance code	an..3	N		
	6155	Non-discrete measurement name code	an..17	N		
	6154	Non-discrete measurement name	an..70	N		
	C174	Value/range		R		
	6411	Measurement unit code	an..3	M		KGM kilogram TNE tonne (metric ton) All code values from EANCOM code list 6411 and UN/ECE Recommendation 20 code list available.
	6314	Measurement value	an..18	O		

Segmentstatus: Depending

Only for variable weight products, which are ordered and delivered as pieces, but invoiced by weight (or volume) this segment must be used. The information enables a check of the weight at the receiving point. The following INVOIC will indicate this weight in the segment "QTY+47...", excepting the receiver gave information about differences to the supplier with RECADV.

Example: MEA+ABW+AAL+KGM:12'

The total weight of the line item is 12 KGM.

Max. Occ. = Maximum Occurrence, St = Status, * = Restricted Codes

Status: M=Mandatory, R=Required, O=Optional, D=Dependent, A=Advised, N=Not used

Segment Layout

Detail section articles

No.	Seg	St	Max.	Occ.	
	SG10	O	9999		CPS-FTX-SG11-SG17
	SG17	O	9999		LIN-PIA-IMD-MEA-QTY-ALI-DLM-DTM-FTX-MOA-SG18-SG20-SG22-SG25
124	QTY	O	1		Quantity To specify a pertinent quantity.

Business Term	DE	EDIFACT	Format	St	*	Description
	C186	Quantity details		M		
	6063	Quantity type code qualifier	an..3	M	*	12 Despatch quantity
Delivered quantity	6060	Quantity	an..35	M		Note: Use only numeric values.
	6411	Measurement unit code	an..3	D		KGM kilogram LTR litre All code values from EANCOM code list 6411 and UN/ECE Recommendation 20 code list available.

Segmentstatus: Optional

This segment is used to indicate quantity information for the delivered product identified in LIN. The measurement unit indicated here is the same as in the preceding ORDERS. For products with variable quantities the number of pieces is indicated here if possible, the weight is indicated in the preceding MEA segment.

DE 6411 is only used, if the article is a variable quantity article. Default value is piece.

Example: QTY+12:5'
The delivered quantity is 5 pieces.

Max. Occ. = Maximum Occurrence, St = Status, * = Restricted Codes
Status: M=Mandatory, R=Required, O=Optional, D=Dependent, A=Advised, N=Not used

Segment Layout

Detail section articles

No.	Seg	St	Max. Occ.	
	SG10	O	9999	CPS-FTX-SG11-SG17
	SG17	O	9999	LIN-PIA-IMD-MEA-QTY-ALI-DLM-DTM-FTX-MOA-SG18-SG20-SG22-SG25
125	QTY	O	1	Quantity To specify a pertinent quantity.

Business Term	DE	EDIFACT	Format	St	*	Description
	C186	Quantity details		M		
	6063	Quantity type code qualifier	an..3	M	*	12 Despatch quantity
No empties available	6060	Quantity	an..35	M		Note: Use only numeric values.

Segmentstatus: Optional

This QTY segment is used to indicate that no empties are available for pickup when goods are delivered.

This segment is only used in conjunction with GTIN 4012345002003. DE 6060 must have value zero.

Example: QTY+12:0'
No empties are available for pickup when goods are delivered next time.

Max. Occ. = Maximum Occurrence, St = Status, * = Restricted Codes
 Status: M=Mandatory, R=Required, O=Optional, D=Dependent, A=Advised, N=Not used

Segment Layout

Detail section articles

No.	Seg	St	Max. Occ.			
	SG10	O	9999	CPS-FTX-SG11-SG17		
	SG17	O	9999	LIN-PIA-IMD-MEA-QTY-ALI-DLM-DTM-FTX-MOA-SG18-SG20-SG22-SG25		
126	QTY	O	1	Quantity To specify a pertinent quantity.		
Business Term	DE	EDIFACT	Format	St	*	Description
	C186	Quantity details		M		
	6063	Quantity type code qualifier	an..3	M	*	192 Free goods quantity
Free goods quantity	6060	Quantity	an..35	M		Note: Use only numeric values.
	6411	Measurement unit code	an..3	D		KGM kilogram LTR litre All code values from EANCOM code list 6411 and UN/ECE Recommendation 20 code list available.
<p>Segmentstatus: Optional</p> <p>This segment can be used to provide free goods quantity.</p> <p>The use of more than one QTY segment needs to be mutually agreed. If the same line contains "quantity delivered, QTY+12..." and "free goods quantity", than "free goods quantity" is contained in "quantity delivered". If one line "free goods quantity" and one line "quantity delivered" is transmitted by use of the same GTIN, the total quantity is calculated by addition of both QTY segments.</p> <p>DE 6411 is only used, if the article is a variable quantity article. Default value is piece.</p> <p>Example: QTY+192:1' 1 piece without invoicing.</p>						

Max. Occ. = Maximum Occurrence, St = Status, * = Restricted Codes
 Status: M=Mandatory, R=Required, O=Optional, D=Dependent, A=Advised, N=Not used

Segment Layout

Detail section articles

No.	Seg	St	Max.	Occ.	
	SG10	O	9999		CPS-FTX-SG11-SG17
	SG17	O	9999		LIN-PIA-IMD-MEA-QTY-ALI-DLM-DTM-FTX-MOA-SG18-SG20-SG22-SG25
127	QTY	O	1		Quantity To specify a pertinent quantity.

Business Term	DE	EDIFACT	Format	St	*	Description
	C186	Quantity details		M		
	6063	Quantity type code qualifier	an..3	M	*	21 Ordered quantity
Ordered quantity	6060	Quantity	an..35	M		Note: Use only numeric values.
	6411	Measurement unit code	an..3	D		KGM kilogram LTR litre All code values from EANCOM code list 6411 and UN/ECE Recommendation 20 code list available.

Segmentstatus: Optional

This segment can be used additionally if quantity differs between what was ordered/delivered.

DE 6411 is only used, if the article is a variable quantity article. Default value is piece.

Example: QTY+21:9'

The ordered quantity is 9 pieces.

Max. Occ. = Maximum Occurrence, St = Status, * = Restricted Codes
 Status: M=Mandatory, R=Required, O=Optional, D=Dependent, A=Advised, N=Not used

Segment Layout

Detail section articles

No.	Seg	St	Max. Occ.			
	SG10	O	9999	CPS-FTX-SG11-SG17		
	SG17	O	9999	LIN-PIA-IMD-MEA-QTY-ALI-DLM-DTM-FTX-MOA-SG18-SG20-SG22-SG25		
128	DTM	O	1	Date/time/period To specify date, and/or time, or period.		
Business Term	DE	EDIFACT	Format	St	*	Description
	C507	Date/time/period		M		
	2005	Date or time or period function code qualifier	an..3	M	*	44 Availability
Date of availability	2380	Date or time or period value	an..35	R		
	2379	Date or time or period format code	an..3	R		102 CCYYMMDD 203 CCYYMMDDHHMM 602 CCYY 610 CCYYMM 718 CCYYMMDD- CCYYMMDD Format of period to be given in actual message without hyphen.
Segmentstatus: Optional						
This segment is used to specify relevant dates (and possibly times) and periods of the product which is about to be, or, has been despatched.						
Example: DTM+44:20180504:102'						
Dats of availability is the 4th of May 2018.						

Max. Occ. = Maximum Occurrence, St = Status, * = Restricted Codes
 Status: M=Mandatory, R=Required, O=Optional, D=Dependent, A=Advised, N=Not used

Segment Layout

Detail section

No. Seg	St	Max. Occ.				
SG10	O	9999	CPS-FTX-SG11-SG17			
SG17	O	9999	LIN-PIA-IMD-MEA-QTY-ALI-DLM-DTM-FTX-MOA-SG18-SG20-SG22-SG25			
129	FTX	O 1	Free text To provide free form or coded text information.			
Business Term	DE	EDIFACT	Format	St	*	Description
	4451	Text subject code qualifier	an..3	M	*	PUR Purchasing information
	4453	Free text function code	an..3	O	*	1 Text for subsequent use
	C107	Text reference		D		
Order qualifier	4441	Free text value code	an..17	M	*	DUN Do not record dues (supply only if immediately available) DUY Record dues (backorder if not immediately available)
	1131	Code list identification code	an..17	R	*	MEDIA Media (fix value)
	3055	Code list responsible agency code	an..3	R	*	246 GS1 Germany
Segmentstatus: Optional						
This segment is used to advice order qualifiers for the line item.						
Example: FTX+PUR+1+DUN:MEDIA:246' Do not record dues.						

Max. Occ. = Maximum Occurrence, St = Status, * = Restricted Codes
 Status: M=Mandatory, R=Required, O=Optional, D=Dependent, A=Advised, N=Not used

Segment Layout

Detail section

No. Seg	St	Max. Occ.				
SG10	O	9999	CPS-FTX-SG11-SG17			
SG17	O	9999	LIN-PIA-IMD-MEA-QTY-ALI-DLM-DTM-FTX-MOA-SG18-SG20-SG22-SG25			
130	FTX	O 1	Free text			
To provide free form or coded text information.						
Business Term	DE	EDIFACT	Format	St	*	Description
	4451	Text subject code qualifier	an..3	M	*	3E Tracking URL (GS1 Temporary Code)
	4453	Free text function code	an..3	O	*	1 Text for subsequent use
	C107	Text reference		N		
	4441	Free text value code	an..17			
	C108	Text literal		R		
Tracking URL	4440	Free text value	an..51	M		
Segmentstatus: Optional						
This segment is used to advice the Tracking URL for the delivered line item.						
Example: FTX+3E+++www.trackingurl123456.de' www.trackingurl123456.de						

Max. Occ. = Maximum Occurrence, St = Status, * = Restricted Codes
 Status: M=Mandatory, R=Required, O=Optional, D=Dependent, A=Advised, N=Not used

Segment Layout

Detail section

No. Seg	St	Max. Occ.				
SG10	O	9999	CPS-FTX-SG11-SG17			
SG17	O	9999	LIN-PIA-IMD-MEA-QTY-ALI-DLM-DTM-FTX-MOA-SG18-SG20-SG22-SG25			
131 FTX	O	1	Free text To provide free form or coded text information.			
Business Term	DE	EDIFACT	Format	St	*	Description
	4451	Text subject code qualifier	an..3	M	*	DEL Delivery information
	4453	Free text function code	an..3	O	*	1 Text for subsequent use
	C107	Text reference		D		
Reason qualifier	4441	Free text value code	an..17	M		15 Currently out of stock Use list "Einheitliche Meldenummern aus der Liste des Börsenvereins des deutschen Buchhandels e.V."
	1131	Code list identification code	an..17	R	*	BOEV BOEV (fix value)
	3055	Code list responsible agency code	an..3	R	*	246 GS1 Germany
<p>Segmentstatus: Optional</p> <p>This segment is used to advice reason qualifiers (Meldenummern des Börsenvereins des deutschen Buchhandels) for the delivered line item.</p> <p>Example: FTX+DEL++15:BOEV:246' Reason for change</p>						

Max. Occ. = Maximum Occurrence, St = Status, * = Restricted Codes
 Status: M=Mandatory, R=Required, O=Optional, D=Dependent, A=Advised, N=Not used

Segment Layout

Detail section articles

No.	Seg	St	Max. Occ.			
	SG10	O	9999	CPS-FTX-SG11-SG17		
	SG17	O	9999	LIN-PIA-IMD-MEA-QTY-ALI-DLM-DTM-FTX-MOA-SG18-SG20-SG22-SG25		
	SG18	O	1	RFF-DTM		
132	RFF	M	1	Reference		
To specify a reference.						
Business Term	DE	EDIFACT	Format	St	*	Description
	C506	Reference		M		
	1153	Reference code qualifier	an..3	M	*	SD Sales department number
Number of salesdepartment	1154	Reference identifier	an..70	R		
Segmentstatus: Optional						
This RFF segment is used to indicate a department reference relevant for the despatch advice line.						
This indication overwrites the information given in the heading-section.						
Example: RFF+SD:4711'						
The despatch advice line is for department 4711.						

Max. Occ. = Maximum Occurrence, St = Status, * = Restricted Codes
 Status: M=Mandatory, R=Required, O=Optional, D=Dependent, A=Advised, N=Not used

Segment Layout

Detail section articles

No.	Seg	St	Max. Occ.			
	SG10	O	9999	CPS-FTX-SG11-SG17		
	SG17	O	9999	LIN-PIA-IMD-MEA-QTY-ALI-DLM-DTM-FTX-MOA-SG18-SG20-SG22-SG25		
	SG18	O	1	RFF-DTM		
133	RFF	M	1	Reference		
To specify a reference.						
Business Term	DE	EDIFACT	Format	St	*	Description
	C506	Reference		M		
	1153	Reference code qualifier	an..3	M	*	UC Ultimate customer's reference number
Ultimate customers order number	1154	Reference identifier	an..70	R		
Ultimate customers order line number	1156	Document line identifier	an..6	O		
Segmentstatus: Optional						
This segment can be used to refer to the customers order number (e.g. request for quotation).						
Example: RFF+UC:7001:4711'						
The despatch advise refers to ultimate customers order number 7001.						

Max. Occ. = Maximum Occurrence, St = Status, * = Restricted Codes
 Status: M=Mandatory, R=Required, O=Optional, D=Dependent, A=Advised, N=Not used

Segment Layout

Detail section articles

No.	Seg	St	Max.	Occ.	
	SG10	O	9999		CPS-FTX-SG11-SG17
	SG17	O	9999		LIN-PIA-IMD-MEA-QTY-ALI-DLM-DTM-FTX-MOA-SG18-SG20-SG22-SG25
	SG18	O	1		RFF-DTM
134	RFF	M	1		Reference To specify a reference.

Business Term	DE	EDIFACT	Format	St	*	Description
	C506	Reference		M		
	1153	Reference code qualifier	an..3	M	*	ON Order number (buyer)
Buyers order number (Detail section articles)	1154	Reference identifier	an..70	R		
Order line item number	1156	Document line identifier	an..6	O		

Segmentstatus: Optional

This segments enables a reference to the buyers order number and line item number.

Example: RFF+ON:4811:7'
The despatch advice refers to line 7 of buyers order number 4811.

Max. Occ. = Maximum Occurrence, St = Status, * = Restricted Codes
 Status: M=Mandatory, R=Required, O=Optional, D=Dependent, A=Advised, N=Not used

Segment Layout

Detail section articles

No.	Seg	St	Max. Occ.			
	SG10	O	9999	CPS-FTX-SG11-SG17		
	SG17	O	9999	LIN-PIA-IMD-MEA-QTY-ALI-DLM-DTM-FTX-MOA-SG18-SG20-SG22-SG25		
	SG18	O	1	RFF-DTM		
135	RFF	M	1	Reference		
To specify a reference.						
Business Term	DE	EDIFACT	Format	St	*	Description
	C506	Reference		M		
	1153	Reference code qualifier	an..3	M	*	XA Company/place registration number
Company registration number (German ElektroG)	1154	Reference identifier	an..70	R		
Segmentstatus: Optional						
The RFF segment can specify the registration number to identify the manufacturer of electric and electronic parts. The indication here overwrites a possible indication in the heading section.						
Structure DE 1154: Code "WEEE" followed by a blank and the registration number.						
Example: RFF+XA:WEEE DE 13345678'						
The WEEE registration number is DE 13345678.						

Max. Occ. = Maximum Occurrence, St = Status, * = Restricted Codes
 Status: M=Mandatory, R=Required, O=Optional, D=Dependent, A=Advised, N=Not used

Segment Layout

Detail section

No. Seg	St	Max. Occ.				
SG10	O	9999	CPS-FTX-SG11-SG17			
SG17	O	9999	LIN-PIA-IMD-MEA-QTY-ALI-DLM-DTM-FTX-MOA-SG18-SG20-SG22-SG25			
SG18	O	1	RFF-DTM			
136 RFF	M	1	Reference			
To specify a reference.						
Business Term	DE	EDIFACT	Format	St	*	Description
	C506	Reference		M		
	1153	Reference code qualifier	an..3	M	*	PD Promotion deal number
Promotion deal number (line level)	1154	Reference identifier	an..70	R		
Segmentstatus: Optional						
This RFF segment is used to indicate a promotion deal number relevant for the despatch advice line.						
This indication overwrites the information given in the heading-section.						
Example: RFF+PD:4711'						
The despatch advice line is based on promotion deal no. 4711.						

Max. Occ. = Maximum Occurrence, St = Status, * = Restricted Codes
 Status: M=Mandatory, R=Required, O=Optional, D=Dependent, A=Advised, N=Not used

Segment Layout

Detail section articles

No.	Seg	St	Max. Occ.			
	SG10	O	9999	CPS-FTX-SG11-SG17		
	SG17	O	9999	LIN-PIA-IMD-MEA-QTY-ALI-DLM-DTM-FTX-MOA-SG18-SG20-SG22-SG25		
	SG18	R	1	RFF-DTM		
137	RFF	M	1	Reference		
To specify a reference.						
Business Term	DE	EDIFACT	Format	St	*	Description
	C506	Reference		M		
	1153	Reference code qualifier	an..3	M	*	CR Customer reference number
Order reference	1154	Reference identifier	an..70	R		
Segmentstatus: Mandatory						
This RFF segment is used to indicate a order reference relevant for the order line.						
This indication overwrites the information given in the heading-section.						
Example: RFF+CR:4711'						
The order reference is 4711.						

Max. Occ. = Maximum Occurrence, St = Status, * = Restricted Codes
 Status: M=Mandatory, R=Required, O=Optional, D=Dependent, A=Advised, N=Not used

Segment Layout

Detail section

No. Seg	St	Max. Occ.	
SG10	O	9999	CPS-FTX-SG11-SG17
SG17	O	9999	LIN-PIA-IMD-MEA-QTY-ALI-DLM-DTM-FTX-MOA-SG18-SG20-SG22-SG25
SG18	D	1	RFF-DTM
138 RFF	M	1	Reference To specify a reference.

Business Term	DE	EDIFACT	Format	St	*	Description
	C506	Reference		M		
	1153	Reference code qualifier	an..3	M	*	SS Seller's reference number
Sellers reference number	1154	Reference identifier	an..70	R		

Segmentstatus: Depending

This RFF segment is used to indicate a sellers reference number relevant for the despatch advice line.

This indication overwrites the information given in the heading-section.

Example: RFF+SS:4711 '
The despatch advice line is based on sellers reference no. 4711.

Max. Occ. = Maximum Occurrence, St = Status, * = Restricted Codes
 Status: M=Mandatory, R=Required, O=Optional, D=Dependent, A=Advised, N=Not used

Segment Layout

Detail section articles

No.	Seg	St	Max. Occ.			
	SG10	O	9999	CPS-FTX-SG11-SG17		
	SG17	O	9999	LIN-PIA-IMD-MEA-QTY-ALI-DLM-DTM-FTX-MOA-SG18-SG20-SG22-SG25		
	SG18	O	1	RFF-DTM		
139	RFF	M	1	Reference		
To specify a reference.						
Business Term	DE	EDIFACT	Format	St	*	Description
	C506	Reference		M		
	1153	Reference code qualifier	an..3	M	*	ACD Additional reference number
Rack number	1154	Reference identifier	an..70	R		
Segmentstatus: Optional						
This RFF segment is used to indicate a rack number reference relevant for the order line.						
Example: RFF+ACD:4711'						
The rack number is 4711.						

Max. Occ. = Maximum Occurrence, St = Status, * = Restricted Codes
 Status: M=Mandatory, R=Required, O=Optional, D=Dependent, A=Advised, N=Not used

Segment Layout

Detail section articles

No.	Seg	St	Max. Occ.			
	SG10	O	9999	CPS-FTX-SG11-SG17		
	SG17	O	9999	LIN-PIA-IMD-MEA-QTY-ALI-DLM-DTM-FTX-MOA-SG18-SG20-SG22-SG25		
	SG18	D	1	RFF-DTM		
140	RFF	M	1	Reference		
To specify a reference.						
Business Term	DE	EDIFACT	Format	St	*	Description
	C506	Reference		M		
	1153	Reference code qualifier	an..3	M	*	DQ Delivery note number
Delivery note number	1154	Reference identifier	an..70	R		
Segmentstatus: Depending						
This RFF segment is used to indicate a delivery note number relevant for the order line.						
This indication overwrites the information given in the heading-section.						
Example: RFF+DQ:4711 ' The delivery note number is 4711.						

Max. Occ. = Maximum Occurrence, St = Status, * = Restricted Codes
 Status: M=Mandatory, R=Required, O=Optional, D=Dependent, A=Advised, N=Not used

Segment Layout

Detail section

No. Seg	St	Max. Occ.	
SG10	O	9999	CPS-FTX-SG11-SG17
SG17	O	9999	LIN-PIA-IMD-MEA-QTY-ALI-DLM-DTM-FTX-MOA-SG18-SG20-SG22-SG25
SG18	O	1	RFF-DTM
141 RFF	M	1	Reference
To specify a reference.			
Business Term	DE	EDIFACT	Format St * Description
	C506	Reference	M
	1153	Reference code qualifier	an..3 M * LI Line item reference number
Line item reference (line level)	1154	Reference identifier	an..70 R
Segmentstatus: Optional			
This RFF segment is used to indicate a line item reference relevant for the order line.			
Example: RFF+LI:4711'			
The order line is based on line item reference 4711.			

Max. Occ. = Maximum Occurrence, St = Status, * = Restricted Codes
 Status: M=Mandatory, R=Required, O=Optional, D=Dependent, A=Advised, N=Not used

Segment Layout

Detail section

No. Seg	St	Max. Occ.				
SG10	O	9999	CPS-FTX-SG11-SG17			
SG17	O	9999	LIN-PIA-IMD-MEA-QTY-ALI-DLM-DTM-FTX-MOA-SG18-SG20-SG22-SG25			
SG18	D	1	RFF-DTM			
142 RFF	M	1	Reference			
To specify a reference.						
Business Term	DE	EDIFACT	Format	St	*	Description
	C506	Reference		M		
	1153	Reference code qualifier	an..3	M	*	AXO Product certification number (Old code value: XC1)
ECO controlling agency (article)	1154	Reference identifier	an..70	C		
Segmentstatus: Depending						
This segment services the requirements of EC 834/2007.						
Example: RFF+AXO:AT-N-01-BIO'						
The article is a BIO product. It is certified by the control agency AT-N-01-BIO. The indication overwrites information of the heading section.						

Max. Occ. = Maximum Occurrence, St = Status, * = Restricted Codes
 Status: M=Mandatory, R=Required, O=Optional, D=Dependent, A=Advised, N=Not used

Segment Layout

1.Detail section - invoiced unit

No.	Seg	St	Max. Occ.	
	SG10	O	9999	CPS-FTX-SG11-SG17
	SG17	O	9999	LIN-PIA-IMD-MEA-QTY-ALI-DLM-DTM-FTX-MOA-SG18-SG20-SG22-SG25
	SG18	O	99	RFF-DTM
143	RFF	M	1	Reference To specify a reference.

Business Term	DE	EDIFACT	Format	St	*	Description
	C506	Reference		M		
	1153	Reference code qualifier	an..3	M	*	TAU Aggregated level unique identifier (aUI) see note
Aggregated level unique identifier (aUI)	1154	Reference identifier	an..70	R		

Segmentstatus: Optional

This segment is used to reference the aggregated level unique identifier (aUI), e.g. in tobacco traceability.

Note to DE 1153:
Code value TAU: A corresponding work request was made within the framework of the GSMP. Later code adjustments can be made.

Example: **RFF+TAU:4714'**
The message references to the aggregated level unique identifier (aUI) 4714.

Max. Occ. = Maximum Occurrence, St = Status, * = Restricted Codes
Status: M=Mandatory, R=Required, O=Optional, D=Dependent, A=Advised, N=Not used

Segment Layout

1.Detail section - invoiced unit

No.	Seg	St	Max. Occ.	
	SG10	O	9999	CPS-FTX-SG11-SG17
	SG17	O	9999	LIN-PIA-IMD-MEA-QTY-ALI-DLM-DTM-FTX-MOA-SG18-SG20-SG22-SG25
	SG18	O	99	RFF-DTM
144	RFF	M	1	Reference To specify a reference.

Business Term	DE	EDIFACT	Format	St	*	Description
	C506	Reference		M		
	1153	Reference code qualifier	an..3	M	*	TUU Aggregated level unique identifier (upUI) see note
Unit packet level unique identifier (upUI)	1154	Reference identifier	an..70	R		

Segmentstatus: Optional

This segment is used to reference the Unit packet level unique identifier (upUI), e.g. in tobacco traceability.

Note to DE 1153:
Code value TUU: A corresponding work request was made within the framework of the GSMP. Later code adjustments can be made.

Example: RFF+TUU:4714'
The message references to the unit packet level unique identifier (upID) 4714.

Max. Occ. = Maximum Occurrence, St = Status, * = Restricted Codes
Status: M=Mandatory, R=Required, O=Optional, D=Dependent, A=Advised, N=Not used

Segment Layout

Detail section articles

No. Seg	St	Max. Occ.	
SG10	O	9999	CPS-FTX-SG11-SG17
SG17	O	9999	LIN-PIA-IMD-MEA-QTY-ALI-DLM-DTM-FTX-MOA-SG18-SG20-SG22-SG25
SG22	O	9999	PCI-DTM-MEA-QTY-SG23-SG24
145 PCI	M	1	Package identification To specify markings and labels on individual packages or physical units.

Business Term	DE	EDIFACT	Format	St	*	Description
Marking on package	4233	Marking instructions code	an..3	R		17 Supplier's instructions To be used in conjunction with DE 7102. 34E Marked with GS1 number (GS1 Temporary Code) To be used in conjunction with the following GIN segment. 41 Marked with batch number (Old code value: 36E) To be used in conjunction with the following GIN segment. 43 Marked with expiry date (Old code value: 38E) To be used in conjunction with the following DTM segment. 44 Marked with best before date (Old code value: 39E) To be used in conjunction with the following DTM segment.
	C210	Marks & labels		O		
	7102	Shipping marks description	an..35	M		
	7102	Shipping marks description	an..35	O		
	7102	Shipping marks description	an..35	O		
	7102	Shipping marks description	an..35	O		
	7102	Shipping marks description	an..35	O		
	7102	Shipping marks description	an..35	O		
	7102	Shipping marks description	an..35	O		

Max. Occ. = Maximum Occurrence, St = Status, * = Restricted Codes
 Status: M=Mandatory, R=Required, O=Optional, D=Dependent, A=Advised, N=Not used

Segment Layout

Detail section articles

Business Term	DE	EDIFACT	Format	St	*	Description
	7102	Shipping marks description	an..35	O		
	7102	Shipping marks description	an..35	O		
	7102	Shipping marks description	an..35	O		

Segmentstatus: Optional

This segment is used to provide markings and labels information relevant to the product identified in the LIN segment.

Example: `PCI+17+1:1:1:1:1:1:1:1:1:1'`

The package is marked with instructions.

Max. Occ. = Maximum Occurrence, St = Status, * = Restricted Codes
 Status: M=Mandatory, R=Required, O=Optional, D=Dependent, A=Advised, N=Not used

Segment Layout

Detail section articles

No.	Seg	St	Max. Occ.	
	SG10	O	9999	CPS-FTX-SG11-SG17
	SG17	O	9999	LIN-PIA-IMD-MEA-QTY-ALI-DLM-DTM-FTX-MOA-SG18-SG20-SG22-SG25
	SG22	O	9999	PCI-DTM-MEA-QTY-SG23-SG24
146	DTM	O	1	Date/time/period To specify date, and/or time, or period.

Business Term	DE	EDIFACT	Format	St	*	Description
	C507	Date/time/period		M		
	2005	Date or time or period function code qualifier	an..3	M	*	361 Best before date
Best before date	2380	Date or time or period value	an..35	R		
	2379	Date or time or period format code	an..3	R		102 CCYYMMDD

Segmentstatus: Optional

This segment can be used to provide the best before date.

Example: `DTM+361:20181231:102'`
 Best before date is the 31th of December 2018.

Max. Occ. = Maximum Occurrence, St = Status, * = Restricted Codes
 Status: M=Mandatory, R=Required, O=Optional, D=Dependent, A=Advised, N=Not used

Segment Layout

Detail section articles

No.	Seg	St	Max. Occ.	
	SG10	O	9999	CPS-FTX-SG11-SG17
	SG17	O	9999	LIN-PIA-IMD-MEA-QTY-ALI-DLM-DTM-FTX-MOA-SG18-SG20-SG22-SG25
	SG22	O	9999	PCI-DTM-MEA-QTY-SG23-SG24
147	DTM	O	1	Date/time/period To specify date, and/or time, or period.

Business Term	DE	EDIFACT	Format	St	*	Description
	C507	Date/time/period		M		
	2005	Date or time or period function code qualifier	an..3	M	*	36 Expiry date
Expiry date	2380	Date or time or period value	an..35	R		
	2379	Date or time or period format code	an..3	R		102 CCYYMMDD

Segmentstatus: Optional

This segment can be used to provide the expiry date.

Example: DTM+36:20181231:102'
Expiry date is the 31th of December 2018.

Max. Occ. = Maximum Occurrence, St = Status, * = Restricted Codes
Status: M=Mandatory, R=Required, O=Optional, D=Dependent, A=Advised, N=Not used

Segment Layout

Detail section articles

No.	Seg	St	Max. Occ.			
	SG10	O	9999	CPS-FTX-SG11-SG17		
	SG17	O	9999	LIN-PIA-IMD-MEA-QTY-ALI-DLM-DTM-FTX-MOA-SG18-SG20-SG22-SG25		
	SG22	O	9999	PCI-DTM-MEA-QTY-SG23-SG24		
	SG23	O	10	GIN-DLM		
148	GIN	M	1	Goods identity number		
To give specific identification numbers, either as single numbers or ranges.						
Business Term	DE	EDIFACT	Format	St	*	Description
	7405	Object identification code qualifier	an..3	M	*	BX Batch number
	C208	Identity number range		M		
Batch number (package)	7402	Object identifier	an..35	M		
Segmentstatus: Optional						
If the package of the product is marked with a batch number, it is indicated here.						
Example: GIN+BX+987654'						
The batch number is 987654.						

Max. Occ. = Maximum Occurrence, St = Status, * = Restricted Codes
 Status: M=Mandatory, R=Required, O=Optional, D=Dependent, A=Advised, N=Not used

Segment Layout

Detail section articles

No.	Seg	St	Max.	Occ.	
	SG10	O	9999		CPS-FTX-SG11-SG17
	SG17	O	9999		LIN-PIA-IMD-MEA-QTY-ALI-DLM-DTM-FTX-MOA-SG18-SG20-SG22-SG25
	SG22	O	9999		PCI-DTM-MEA-QTY-SG23-SG24
	SG23	O	10		GIN-DLM
149	GIN	M	1		Goods identity number
To give specific identification numbers, either as single numbers or ranges.					
Business Term	DE	EDIFACT	Format	St	* Description
	7405	Object identification code qualifier	an..3	M	* SRV GS1 Global Trade Item Number (GS1 Temporary Code)
GTIN (package)	C208	Identity number range		M	
	7402	Object identifier	an..35	M	
Segmentstatus: Optional					
If the package of the product is marked with a GTIN, it is indicated here.					
Example: GIN+SRV+4000862141423' The GTIN is 4000862141423.					

Max. Occ. = Maximum Occurrence, St = Status, * = Restricted Codes
 Status: M=Mandatory, R=Required, O=Optional, D=Dependent, A=Advised, N=Not used

Segment Layout

Detail section articles

No.	Seg	St	Max. Occ.	
	SG10	O	9999	CPS-FTX-SG11-SG17
	SG17	O	9999	LIN-PIA-IMD-MEA-QTY-ALI-DLM-DTM-FTX-MOA-SG18-SG20-SG22-SG25
	SG22	O	9999	PCI-DTM-MEA-QTY-SG23-SG24
	SG23	O	10	GIN-DLM
150	GIN	M	1	Goods identity number

To give specific identification numbers, either as single numbers or ranges.

Business Term	DE	EDIFACT	Format	St	*	Description
	7405	Object identification code qualifier	an..3	M	*	BN Serial number
	C208	Identity number range		M		
Serialized GTIN (package)	7402	Object identifier	an..35	M		The serialised GTIN (SGTIN) is composed by the GTIN from the previous GIN segment plus the current serial number.
	7402	Object identifier	an..35	O		
	C208	Identity number range		O		
	7402	Object identifier	an..35	M		
	7402	Object identifier	an..35	O		
	C208	Identity number range		O		
	7402	Object identifier	an..35	M		
	7402	Object identifier	an..35	O		
	C208	Identity number range		O		
	7402	Object identifier	an..35	M		
	7402	Object identifier	an..35	O		
	C208	Identity number range		O		
	7402	Object identifier	an..35	M		
	7402	Object identifier	an..35	O		

Segmentstatus: Optional

If a serialised GTIN shall be indicated, this segment follows GIN+SRV.....

Note:

It is possible to indicate a range of numbers per C208. If single serial numbers shall be indicated, each C208 contains one serial number.

Example: GIN+BN+999888777+X+X+X+X'

The serialised GTIN is 4000862141423999888777.

Max. Occ. = Maximum Occurrence, St = Status, * = Restricted Codes
 Status: M=Mandatory, R=Required, O=Optional, D=Dependent, A=Advised, N=Not used

Segment Layout

Detail section articles

No.	Seg	St	Max. Occ.			
	SG10	O	9999	CPS-FTX-SG11-SG17		
	SG17	O	9999	LIN-PIA-IMD-MEA-QTY-ALI-DLM-DTM-FTX-MOA-SG18-SG20-SG22-SG25		
	SG22	O	1	PCI-DTM-MEA-QTY-SG23-SG24		
151	PCI	M	1	Package identification		
To specify markings and labels on individual packages or physical units.						
Business Term	DE	EDIFACT	Format	St	*	Description
	4233	Marking instructions code	an..3	A	*	16 Buyer's instructions
	C210	Marks & labels		D		
Label type, code (Article)	7102	Shipping marks description	an..35	M		
Label, description/content (article)	7102	Shipping marks description	an..35	O		
Segmentstatus: Optional						
This segment is used to indicate label information.						
Label information						
Example: PCI+16+Code:DESCR'						
The use of DE 7102 must be bilaterally agreed.						

Max. Occ. = Maximum Occurrence, St = Status, * = Restricted Codes
 Status: M=Mandatory, R=Required, O=Optional, D=Dependent, A=Advised, N=Not used

Segment Layout

Detail section articles

No. Seg	St	Max. Occ.				
SG10	O	9999	CPS-FTX-SG11-SG17			
SG17	O	9999	LIN-PIA-IMD-MEA-QTY-ALI-DLM-DTM-FTX-MOA-SG18-SG20-SG22-SG25			
SG25	D	10	QVR-DTM			
152 QVR	M	1	Quantity variances			
To specify item details relating to quantity variances.						
Business Term	DE	EDIFACT	Format	St	*	Description
	C279	Quantity difference information		R		
Quantity difference	6064	Quantity variance value	n..15	M		
	6063	Quantity type code qualifier	an..3	R	*	21 Ordered quantity
	4221	Discrepancy nature identification code	an..3	O		AC Over-shipped AC = Code indicating that there was an excess quantity of goods in a shipment relative to the order. BP Shipment partial - back order to follow BP = The shipment is incomplete, the missing quantities are to follow. CP Shipment partial - considered complete, no backorder CP = Shipment does not fulfil the complete order but should be considered complete. Unshipped items are not considered to be on backorder.
Segmentstatus: Depending This segment must be used if variances exist between what was ordered and what is ready for or has been despatched. The quantity identified in DE 6064 must always refer to the difference between the despatched quantity identified in DE 6060 of QTY at LIN level and the ordered quantity. For negative values (e.g. damaged goods not accepted) the variance must be expressed as negative. Example: QVR+-4:21+BP' The quantity difference is 4 units.						

Max. Occ. = Maximum Occurrence, St = Status, * = Restricted Codes
 Status: M=Mandatory, R=Required, O=Optional, D=Dependent, A=Advised, N=Not used

Segment Layout

2.Detail section - units included in assortment

No.	Seg	St	Max. Occ.	
	SG10	O	9999	CPS-FTX-SG11-SG17
	SG17	D	9999	LIN-PIA-IMD-MEA-QTY-ALI-DLM-DTM-FTX-MOA-SG18-SG20-SG22-SG25
153	LIN	M	1	Line item To identify a line item and configuration.

Business Term	DE	EDIFACT	Format	St	*	Description
Sub line to describe assortment/display. Listing of included units. Line item number (Display content)	1082	Line item identifier	an..6	R		Application generated number of the item lines within the message.
	1229	Action request/ notification description code	an..3	N		
	C212	Item number identification		D		
GTIN Article identifikation (Display content)	7140	Item identifier	an..35	R		GTIN, Format n..14
	7143	Item type identification code	an..3	R	*	SRV GS1 Global Trade Item Number
	1131	Code list identification code	an..17	N		
	3055	Code list responsible agency code	an..3	N		
	C829	Sub-line information		D		
	5495	Sub-line indicator code	an..3	R	*	1 Sub-line information
	1082	Line item identifier	an..6	R		Reference to line item number

Segmentgroup status: Only to indicate the content of assortments/displays!

Segmentstatus: Mandatory

One LIN sub line has to be indicated per unit included in assortment. The display and each contained unit are identified with their own, different GTIN.

C829: These composites are only used when sub-lines are required.

FOR A COMPLETE DESCRIPTION ON THE USAGE OF SUB-LINES PLEASE REFER TO PART I, SECTION 4.10 OF THE EANCOM 2002 MANUAL.

Example: LIN+2++4000862141423:SRV+1:1'

Sub line to describe units included in assortment/display

Max. Occ. = Maximum Occurrence, St = Status, * = Restricted Codes

Status: M=Mandatory, R=Required, O=Optional, D=Dependent, A=Advised, N=Not used

Segment Layout

2.Detail section - units included in assortment

No.	Seg	St	Max.	Occ.	
	SG10	O	9999		CPS-FTX-SG11-SG17
	SG17	D	9999		LIN-PIA-IMD-MEA-QTY-ALI-DLM-DTM-FTX-MOA-SG18-SG20-SG22-SG25
154	PIA	D	1		Additional product id To specify additional or substitutional item identification codes.

Business Term	DE	EDIFACT	Format	St	*	Description
	4347	Product identifier code qualifier	an..3	M	*	5 Product identification
	C212	Item number identification		M		
Suppliers article number (Display content)	7140	Item identifier	an..35	R		
	7143	Item type identification code	an..3	R	*	SA Supplier's article number
	1131	Code list identification code	an..17	N		
	3055	Code list responsible agency code	an..3	R	*	91 Assigned by supplier or supplier's agent

Segmentstatus: Mandatory, if LIN segment does not provide a GTIN, otherwise segment is not used.

This segment is only used, if LIN segment does not provide a GTIN. It than must follow the LIN segment immediatly. In this case LIN segment (mandatory) only provides the line item number and indication of sub line level. Identification of the article is done by use of the suppliers article number in this PIA segment, DE 4347 is filled with "5" for primary identification.

Example: PIA+5+ABC5343:SA::91'

Only if LIN does not provide GTIN: Articleidentification in PIA

Max. Occ. = Maximum Occurrence, St = Status, * = Restricted Codes
 Status: M=Mandatory, R=Required, O=Optional, D=Dependent, A=Advised, N=Not used

Segment Layout

2.Detail section - units included in assortment

No. Seg	St	Max. Occ.				
SG10	O	9999	CPS-FTX-SG11-SG17			
SG17	D	9999	LIN-PIA-IMD-MEA-QTY-ALI-DLM-DTM-FTX-MOA-SG18-SG20-SG22-SG25			
155	PIA	D 1	Additional product id To specify additional or substitutional item identification codes.			
Business Term	DE	EDIFACT	Format	St	*	Description
	4347	Product identifier code qualifier	an..3	M	*	1 Additional identification
	C212	Item number identification		M		
Suppliers article number (Display content)	7140	Item identifier	an..35	R		
	7143	Item type identification code	an..3	R	*	SA Supplier's article number
	1131	Code list identification code	an..17	N		
	3055	Code list responsible agency code	an..3	R	*	91 Assigned by supplier or supplier's agent
	C212	Item number identification		O		
Buyer's part number (Display content)	7140	Item identifier	an..35	R		
	7143	Item type identification code	an..3	R	*	IN Buyer's item number
	1131	Code list identification code	an..17	N		
	3055	Code list responsible agency code	an..3	R	*	92 Assigned by buyer or buyer's agent
	C212	Item number identification		O		
Article group code (Display content)	7140	Item identifier	an..35	R		
	7143	Item type identification code	an..3	R	*	GN National product group code
	1131	Code list identification code	an..17	N		
	3055	Code list responsible agency code	an..3	R		246 GS1 Germany
	C212	Item number identification		O		
Serial number (Display content)	7140	Item identifier	an..35	R		
	7143	Item type identification code	an..3	R	*	SN Serial number

Max. Occ. = Maximum Occurrence, St = Status, * = Restricted Codes
 Status: M=Mandatory, R=Required, O=Optional, D=Dependent, A=Advised, N=Not used

Segment Layout

2.Detail section - units included in assortment

Business Term	DE	EDIFACT	Format	St	*	Description
	1131	Code list identification code	an..17	N		
	3055	Code list responsible agency code	an..3	R		91 Assigned by supplier or supplier's agent

Segmentstatus: Mandatory to provide suppliers article number, all other information are optional.

This segment is used to specify additional item identification codes such as a buyer's or supplier's item number.

Example: PIA+1+ABC5343:SA: :91+XYZ987:IN: :92+1111:GN: :246+0815:SN: :91'

Suppliers internal article number ABC5343, Buyers article number XYZ987, Article Group number 1111, Serial number 0815.

Max. Occ. = Maximum Occurrence, St = Status, * = Restricted Codes

Status: M=Mandatory, R=Required, O=Optional, D=Dependent, A=Advised, N=Not used

Segment Layout

2.Detail section - units included in assortment

No.	Seg	St	Max. Occ.	
	SG10	O	9999	CPS-FTX-SG11-SG17
	SG17	D	9999	LIN-PIA-IMD-MEA-QTY-ALI-DLM-DTM-FTX-MOA-SG18-SG20-SG22-SG25
156	PIA	O	1	Additional product id To specify additional or substitutional item identification codes.

Business Term	DE	EDIFACT	Format	St	*	Description
	4347	Product identifier code qualifier	an..3	M	*	1 Additional identification
	C212	Item number identification		M		
Batch number (Display content)	7140	Item identifier	an..35	R		
	7143	Item type identification code	an..3	R	*	NB Batch number
	1131	Code list identification code	an..17	N		
	3055	Code list responsible agency code	an..3	R		91 Assigned by supplier or supplier's agent
	C212	Item number identification		O		
Harmonised system (Display content)	7140	Item identifier	an..35	R		
	7143	Item type identification code	an..3	R	*	HS Harmonised system
	1131	Code list identification code	an..17	N		
	3055	Code list responsible agency code	an..3	N		
	C212	Item number identification		O		
Articles promotional variant (Display content)	7140	Item identifier	an..35	R		
	7143	Item type identification code	an..3	R	*	PV Promotional variant number
	1131	Code list identification code	an..17	N		
	3055	Code list responsible agency code	an..3	R		9 GS1 91 Assigned by supplier or supplier's agent 92 Assigned by buyer or buyer's agent

Segmentstatus: Optional

This segment is used if the previous PIA segment can not provide all relevant information.

Example: PIA+1+CH-5343:NB::91+XYZ987:HS+4012368259753:PV::91'

Max. Occ. = Maximum Occurrence, St = Status, * = Restricted Codes
Status: M=Mandatory, R=Required, O=Optional, D=Dependent, A=Advised, N=Not used

Segment Layout

2.Detail section - units included in assortment

Batch number, Harmonized system, Promotional variant.

Max. Occ. = Maximum Occurrence, St = Status, * = Restricted Codes
Status: M=Mandatory, R=Required, O=Optional, D=Dependent, A=Advised, N=Not used

Segment Layout

2.Detail section - units included in assortment

No. Seg	St	Max. Occ.				
SG10	O	9999	CPS-FTX-SG11-SG17			
SG17	D	9999	LIN-PIA-IMD-MEA-QTY-ALI-DLM-DTM-FTX-MOA-SG18-SG20-SG22-SG25			
157	PIA	O 1	Additional product id			
To specify additional or substitutional item identification codes.						
Business Term	DE	EDIFACT	Format	St	*	Description
	4347	Product identifier code qualifier	an..3	M	*	1 Additional identification
	C212	Item number identification		M		
GPC - GS1 Global Product Classification	7140	Item identifier	an..35	R		
	7143	Item type identification code	an..3	R	*	BRI Brick Code (GS1 Temporary Code)
	1131	Code list identification code	an..17	N		
	3055	Code list responsible agency code	an..3	R	*	9 GS1
Segmentstatus: Optional						
This segment is used to specify additional item identification codes.						
Example: PIA+1+10000276:BRI::9' Brick Code for wine						

Max. Occ. = Maximum Occurrence, St = Status, * = Restricted Codes
 Status: M=Mandatory, R=Required, O=Optional, D=Dependent, A=Advised, N=Not used

Segment Layout

2.Detail section - units included in assortment

No.	Seg	St	Max. Occ.	
	SG10	O	9999	CPS-FTX-SG11-SG17
	SG17	D	9999	LIN-PIA-IMD-MEA-QTY-ALI-DLM-DTM-FTX-MOA-SG18-SG20-SG22-SG25
158	PIA	O	1	Additional product id To specify additional or substitutional item identification codes.

Business Term	DE	EDIFACT	Format	St	*	Description
	4347	Product identifier code qualifier	an..3	M	*	1 Additional identification
	C212	Item number identification		M		
GPC - Attribute type	7140	Item identifier	an..35	R		
	7143	Item type identification code	an..3	R	*	GAT GPC Brick attribute type (GS1 Temporary Code)
	1131	Code list identification code	an..17	N		
	3055	Code list responsible agency code	an..3	R		9 GS1
	C212	Item number identification		C		
GPC - Attribute value	7140	Item identifier	an..35	R		
	7143	Item type identification code	an..3	R	*	GAV GPC brick attribute value (GS1 Temporary Code)
	1131	Code list identification code	an..17	N		
	3055	Code list responsible agency code	an..3	R	*	9 GS1

Segmentstatus: Optional

This segment is used to specify additional item identification codes.

This segment may only be used if the prior PIA segment indicates DE 7143 = BRI. Attribute type and attribute value have to be indicated together in this segment. For transmission of multiple attributes this PIA segment will be repeated.

Example: PIA+1+20000217:GAT::9+30002816:GAV::9'
Attribute type Colour of wine, Attribute value rosé

Max. Occ. = Maximum Occurrence, St = Status, * = Restricted Codes
Status: M=Mandatory, R=Required, O=Optional, D=Dependent, A=Advised, N=Not used

Segment Layout

2.Detail section - units included in assortment

No. Seg	St	Max. Occ.				
SG10	O	9999	CPS-FTX-SG11-SG17			
SG17	D	9999	LIN-PIA-IMD-MEA-QTY-ALI-DLM-DTM-FTX-MOA-SG18-SG20-SG22-SG25			
159	IMD	R 1	Item description To describe an item in either an industry or free format.			
Business Term	DE	EDIFACT	Format	St	*	Description
	7077	Description format code	an..3	R	*	C Code (from industry code list)
	C272	Item characteristic		N		
	7081	Item characteristic code	an..3	C		
	C273	Item description		R		
Consumer unit	7009	Item description code	an..17	R	*	CU Consumer unit (GS1 Permanent Code)
	1131	Code list identification code	an..17	N		
	3055	Code list responsible agency code	an..3	R		9 GS1 Must be used if DE 7009 contains a GS1 Code
<p>Segmentstatus: Mandatory</p> <p>This segment is used to provide a description for the current line item.</p> <p>Note to DE 7009: The included unit is marked as consumer unit. Intermediate units are not shown.</p> <p>Example: IMD+C++CU::9' The article is a consumer unit.</p>						

Max. Occ. = Maximum Occurrence, St = Status, * = Restricted Codes
 Status: M=Mandatory, R=Required, O=Optional, D=Dependent, A=Advised, N=Not used

Segment Layout

2.Detail section - units included in assortment

No. Seg	St	Max. Occ.				
SG10	O	9999	CPS-FTX-SG11-SG17			
SG17	D	9999	LIN-PIA-IMD-MEA-QTY-ALI-DLM-DTM-FTX-MOA-SG18-SG20-SG22-SG25			
160 IMD	O	1	Item description To describe an item in either an industry or free format.			
Business Term	DE	EDIFACT	Format	St	*	Description
	7077	Description format code	an..3	R	*	C Code (from industry code list)
	C272	Item characteristic		N		
	7081	Item characteristic code	an..3	C		
	C273	Item description		R		
Empties (deposit)	7009	Item description code	an..17	R	*	RC Returnable container (GS1 Permanent Code)
	1131	Code list identification code	an..17	N		
	3055	Code list responsible agency code	an..3	R		9 GS1 Must be used if DE 7009 contains a GS1 Code
<p>Segmentstatus: Optional</p> <p>This segment is used to provide a description for the current line item.</p> <p>This segment is used to identify the GTIN of LIN segment as being empties (deposit).</p> <p>Example: IMD+C++RC::9' Empties (deposit).</p>						

Max. Occ. = Maximum Occurrence, St = Status, * = Restricted Codes
 Status: M=Mandatory, R=Required, O=Optional, D=Dependent, A=Advised, N=Not used

Segment Layout

2.Detail section - units included in assortment

No.	Seg	St	Max. Occ.			
	SG10	O	9999	CPS-FTX-SG11-SG17		
	SG17	D	9999	LIN-PIA-IMD-MEA-QTY-ALI-DLM-DTM-FTX-MOA-SG18-SG20-SG22-SG25		
161	IMD	R	1	Item description To describe an item in either an industry or free format.		
Business Term	DE	EDIFACT	Format	St	*	Description
	7077	Description format code	an..3	R	*	A Free-form long description
	C272	Item characteristic		C		
	7081	Item characteristic code	an..3	N		
	C273	Item description		A		
	7009	Item description code	an..17	N		
	1131	Code list identification code	an..17	N		
	3055	Code list responsible agency code	an..3	N		
Article long description (Display content)	7008	Item description	an..25	R		The length of DE 7008 is restricted to 70 characters. Bigger sizes have to be agreed bilaterally.
	7008	Item description	an..25	N		
	3453	Language name code	an..3	O		ISO 639 2-Alpha Code
Segmentstatus: Mandatory						
This segment is used to provide a description for the current line item.						
Example: <code>IMD+A++:::Rüssel von Rudi::DE'</code> The article description is: Rüssel von Rudi						

Max. Occ. = Maximum Occurrence, St = Status, * = Restricted Codes
 Status: M=Mandatory, R=Required, O=Optional, D=Dependent, A=Advised, N=Not used

Segment Layout

2.Detail section - units included in assortment

No. Seg	St	Max. Occ.				
SG10	O	9999	CPS-FTX-SG11-SG17			
SG17	D	9999	LIN-PIA-IMD-MEA-QTY-ALI-DLM-DTM-FTX-MOA-SG18-SG20-SG22-SG25			
162	QTY	R 1	Quantity To specify a pertinent quantity.			
Business Term	DE	EDIFACT	Format	St	*	Description
	C186	Quantity details		M		
	6063	Quantity type code qualifier	an..3	M	*	45E Number of units in higher packaging or configuration level (GS1 Temporary Code)
Quantity content display(s)	6060	Quantity	an..35	M		Note: Use only numeric values.
	6411	Measurement unit code	an..3	D		KGM kilogram LTR litre All code values from EANCOM code list 6411 and UN/ECE Recommendation 20 code list available.
<p>Segmentstatus: Mandatory</p> <p>This segment provides the total number of units contained in all delivered assortments/displays of the current line, i.e. the quantity per display/assortment is multiplied by the number of messaged displays/assortments indicated at (main) line level.</p> <p>DE 6411 is only used, if the article is a variable quantity article. Default value is piece.</p> <p>Example: QTY+45E:12' 12 pieces have been delivered.</p>						

Max. Occ. = Maximum Occurrence, St = Status, * = Restricted Codes
 Status: M=Mandatory, R=Required, O=Optional, D=Dependent, A=Advised, N=Not used

Segment Layout

Summary section
Summary section

No.	Seg	St	Max. Occ.			
163	CNT	O	5	Control total To provide control total.		
Business Term	DE	EDIFACT	Format	St	*	Description
	C270	Control		M		
	6069	Control total type code qualifier	an..3	M	*	<p>2 Number of line items in message</p> <p>7 Total gross weight</p> <p>Note: When using code value '7= Total gross weight' in this data element the total specified in data element 6066 is arrived at by adding the values in data element 6314 of the MEA segment at LIN level when code value AAB is used in the same MEA segment.</p>
Control value	6066	Control total value	n..18	M		
<p>Segmentstatus: Optional</p> <p>This segment is used to provide message control information for checking on the message receiver's in-house system.</p> <p>Example: CNT+2:3' The message contains 3 line items.</p>						

Max. Occ. = Maximum Occurrence, St = Status, * = Restricted Codes
Status: M=Mandatory, R=Required, O=Optional, D=Dependent, A=Advised, N=Not used

Segment Layout

End of message

No. Seg	St	Max. Occ.			
164	UNT	M 1	Message trailer To end and check the completeness of a message.		
Business Term	DE	EDIFACT	Format	St	* Description
Total number of segments in the message	0074	Number of segments in the message	n..6	M	
	0062	Message reference number	an..14	M	The message reference numbered detailed here should equal the one specified in the UNH segment.
<p>Segmentstatus: Mandatory</p> <p>This segment is a mandatory UN/EDIFACT segment. It must always be the last segment in the message.</p> <p>Number of segments in the message.</p> <p>Example: UNT+171+ME000001' Number of segments in the message.</p>					

Max. Occ. = Maximum Occurrence, St = Status, * = Restricted Codes
 Status: M=Mandatory, R=Required, O=Optional, D=Dependent, A=Advised, N=Not used

Segment Layout

No. Seg	St	Max. Occ.				
165	UNZ	M 1	Interchange trailer To end and check the completeness of an interchange.			
Business Term	DE	EDIFACT	Format	St	*	Description
End of the transmission file, Number of messages or message groups	0036	Interchange control count	n..6	M		Number of messages or message groups in the transmission file.
Interchange control reference, end	0020	Interchange control reference	an..14	M		Interchange control reference, identical with UNB DE 0020.
<p>The UNZ segment is the last segment of the transmission file.</p> <p>Note DE 0036: If functional groups are not used, this is the number of messages within the interchange.</p> <p>Example: UNZ+1+4711' The transmission file contains 1 message.</p>						

Max. Occ. = Maximum Occurrence, St = Status, * = Restricted Codes
 Status: M=Mandatory, R=Required, O=Optional, D=Dependent, A=Advised, N=Not used

Used Codes

0001	<p>Syntax identifier Coded identification of the agency controlling a syntax and syntax level used in an interchange.</p> <p>Notes: 1. a3, upper case, Controlling Agency (e.g. UNO=UN/ECE) and a1 stating level (e.g. A) (which together give UNOA).</p>
UNOA	<p>UN/ECE level A As defined in the basic code table of ISO 646 with the exceptions of lower case letters, alternative graphic character allocations and national or application-oriented graphic character allocations.</p>
UNOB	<p>UN/ECE level B As defined in the basic code table of ISO 646 with the exceptions of alternative graphic character allocations and national or application-oriented graphic character allocations.</p>
UNOC	<p>UN/ECE level C As defined in ISO/IEC 8859-1 : Information technology - Part 1: Latin alphabet No. 1.</p>
UNOD	<p>UN/ECE level D As defined in ISO/IEC 8859-2 : Information technology - Part 2: Latin alphabet No. 2.</p>
UNOE	<p>UN/ECE level E As defined in ISO/IEC 8859-5 : Information technology - Part 5: Latin/Cyrillic alphabet.</p>
UNOF	<p>UN/ECE level F As defined in ISO 8859-7 : Information processing - Part 7: Latin/Greek alphabet.</p>
0002	<p>Syntax version number Version number of the syntax identified in the syntax identifier (0001)</p> <p>Notes: 1. Increments 1 for each version.</p>
3	<p>Version 3 ISO 9735 Amendment 1:1992. GS1 Description: Syntax version number 3. This code can be used with all of the character sets (A, B, C, D, E and F).</p>

Used Codes

0007	<p>Partner identification code qualifier Qualifier referring to the source of codes for the identifiers of interchanging partners.</p> <p>Notes: 1. Used with sender/recipient identification code.</p>
14	<p>GS1 Partner identification code assigned by GS1, an international organization of GS1 Member Organizations that manages the GS1 System.</p>
0025	<p>Recipient's reference/password qualifier Qualifier for the recipient's reference or password.</p> <p>Notes: 1. If specified in IA.</p>
AA	<p>Reference Recipient's reference/password is a reference.</p>
BB	<p>Password Recipient's reference/password is a password.</p>
0029	<p>Processing priority code Code determined by the sender requesting processing priority for the interchange.</p> <p>Notes: 1. Used if specified in IA.</p>
A	<p>Highest priority Requested processing priority is the highest.</p>
0031	<p>Acknowledgement request Code determined by the sender for acknowledgement of the interchange.</p> <p>Notes: 1. Set = 1 if sender requests acknowledgement, i.e. UNB and UNZ segments received and identified.</p>
1	<p>Requested Acknowledgement is requested.</p>
0035	<p>Test indicator Indication that the interchange is a test.</p> <p>Notes: 1. Set = 1 if the interchange is a test. Otherwise not used.</p>

Used Codes

1	Interchange is a test Indicates that the interchange is a test.
0051	Controlling agency Code to identify the agency controlling the specification, maintenance and publication of the message type.
UN	UN/CEFACT United Nations Centre for Trade Facilitation and Electronic Business (UN/CEFACT). GS1 Description: UN Economic Commission for Europe (UN/ECE), Committee on the development of trade (TRADE), Working Party on facilitation of international trade procedures (WP.4).
0052	Message version number Version number of a message type. Notes: 1. If UNG/UNE is used, shall be identical in UNG and UNE. The representation of 0052 was specified as n..3 in version 1 of ISO 9735.
D	Draft version/UN/EDIFACT Directory Message approved and issued as a draft message (Valid for directories published after March 1993 and prior to March 1997). Message approved as a standard message (Valid for directories published after March 1997).
0054	Message release number Release number within the current message type version number (0052). Notes: 1. The representation of 0054 was specified as n..3 in version 1 of ISO 9735.
01B	Release 2001 - B Message approved and issued in the second 2001 release of the UNTDID (United Nations Trade Data Interchange Directory).
0057	Association assigned code A code assigned by the association responsible for the design and maintenance of the message type concerned, which further identifies the message.
EAN008	GS1 version control number (GS1 Permanent Code) Indicates that the message is an EANCOM message in version 008.
0065	Message type Code identifying a type of message and assigned by its controlling agency. Notes: 1. Type of message being transmitted.

Used Codes

DESADV	<p>Despatch advice message</p> <p>A code to identify the despatch advice message.</p> <p>GS1 Description: A message specifying details for goods despatched or ready for despatch under agreed conditions. The United Nations Despatch Advice Message serves both as a specification for Delivery Despatch Advice and also as a Returns Despatch Advice message.</p>
1001	<p>Document name code</p> <p>Code specifying the document name.</p>
345	<p>Ready for despatch advice</p> <p>Document/message issued by a supplier informing a buyer that goods ordered are ready for despatch.</p>
351	<p>Despatch advice</p> <p>Document/message by means of which the seller or consignor informs the consignee about the despatch of goods.</p>
729	<p>Returns advice</p> <p>Document/message by means of which the buyer informs the seller about the despatch of returned goods.</p> <p>GS1 Note: Replaces GS1 Temporary Code 35E.</p>
YA5	<p>Intermediate handling cross docking despatch advice (GS1 Temporary Code)</p> <p>Document by means of which the supplier or consignor informs the buyer, consignee or the distribution centre about the despatch of goods needing intermediate handling.</p>
YA6	<p>Pre-packed cross docking [transshipment] despatch advice (GS1 Temporary Code)</p> <p>Document by means of which the supplier or consignor informs the buyer, consignee or distribution centre about the despatch of pre-packed goods.</p>
YA7	<p>Consignment despatch advice (GS1 Temporary Code)</p> <p>Document/message by means of which the supplier informs the buyer about the despatch of goods ordered on consignment (goods to be delivered into stock with agreement on payment when goods are sold out of this stock).</p> <p>GS1 Note: Code marked for deletion. Use value 748 instead.</p>
YC3	<p>Consumer pickup delivery note (GS1 Permanent Code)</p> <p>Despatch advice for a consumer order with pickup at store.</p>
YC4	<p>Consumer home delivery note (GS1 Permanent Code)</p> <p>Despatch advice for a consumer order with home delivery.</p>
35X	<p>Despatch of the relocation of goods</p>
YC1	<p>Consumer Pickup Order (GS1 Permanent Code)</p> <p>Consumer order with pickup at store.</p>
YC2	<p>Consumer Home Delivery Order (GS1 Permanent Code)</p> <p>Consumer order with home delivery.</p>

Used Codes

YC3	Consumer Pickup Delivery Note (GS1 Permanent Code) Despatch advice for a consumer order with pickup at store.
YC4	Consumer Home Delivery Note (GS1 Permanent Code) Despatch advice for a consumer order with home delivery.
1131	Code list identification code Code identifying a user or association maintained code list. Notes: 1. The codes for this data element are provided by the code list responsible agency defined in data element 3055.
23	Clearing house automated payment Self explanatory. Notes: This code value will be removed effective with directory D.04A. GS1 Description: Banking community' automated payment clearing system.
25	Bank identification Code for identification of banks. Notes: This code value will be removed effective with directory D.04A.
106	Incoterms 1980 (4110) Code to indicate applicable Incoterm (1980 edition) under which seller undertakes to deliver merchandise to buyer (ICC). Incoterms 1990: use 4053 only. Notes: This code value will be removed effective with directory D.04A.
132	Charge Identification of a type of charge. Notes: This code value will be removed effective with directory D.04A.
154	Bank branch sorting identification Identification of a specific branch of a bank. Notes: This code value will be removed effective with directory D.04A.
157	Clearing code Identification of the responsible bank/clearing house which has cleared or is ordered to do the clearing. Notes: This code value will be removed effective with directory D.04A.

Used Codes

166	<p>Social security identification Code assigned by the authority competent to issue social security identification to identify a person.</p> <p>Notes: This code value will be removed effective with directory D.04A.</p>
174	<p>Citizen identification Self explanatory.</p> <p>Notes: This code value will be removed effective with directory D.04A.</p> <p>GS1 Description: Code issued by national authority competent to issue citizen identification to identify a person.</p>
1E	<p>Incoterms 1990 (GS1 Temporary Code) Incoterms 1990 as published by the International Chamber of Commerce (ICC).</p>
2E	<p>Incoterms 2000 (GS1 Temporary Code) Incoterms 2000 as published by the International Chamber of Commerce (ICC).</p>
3E	<p>Incoterms 2010 (GS1 Temporary Code) Incoterms 2010 as published by the International Chamber of Commerce (ICC).</p>
ADR	<p>Accord European au transport international dangereuses (GS1 Temporary Code) A European agreement concerning the international carriage of dangerous goods by road.</p>
BR	<p>Brand (GS1 Temporary Code) An identifying mark or label on the products of a particular company, or the kind or make of a commodity.</p>
CA	<p>Category (GS1 Temporary Code) A class or division in a scheme of classification.</p>
CO	<p>Colour (GS1 Temporary Code) Description of the colour required/available on the goods.</p>
FL	<p>Flavor (GS1 Temporary Code) The characteristic quality of goods.</p>
HMT	<p>Hazardous material standard text (GS1 Temporary Code) Code indicating agreed standard text on hazardous materials.</p>
LOC	<p>Location Code (GS1 Temporary Code) This is a code to indicate where the EAS tag is located on the Trade Item. Values include On outside of Trade Item, Concealed inside Trade Item, Integrated Inside Trade Item.</p>

Used Codes

OAG	Organic Claim Agency (GS1 Temporary Code) A governing body that creates and maintain standards related to organic products.
OCO	Organic Trade Item Code (GS1 Temporary Code) Used to indicate the organic status of a trade item or of one or more of its components.
OUM	Ordering unit of measure (GS1 Temporary Code) The alternate Unit of Measure of how Trade Items are ordered by the Retailer under one Unit of Measure, but sold under another Unit of Measure.
SKB	SKRS recommendation (GS1 Temporary Code) SKRS recommendation for standard clothes hanger.
SRN	Service relation number (GS1 Temporary Code) A number used to identify a database entry which records recurring services, e.g., treatment of a patient in a hospital, usage by a member of a library facilities, etc.
ST	Style (GS1 Temporary Code) Specific or characteristic design in any goods.
SUM	Selling unit of measure (GS1 Temporary Code) Describes the measurement used for selling unit of the Trade Item to the end consumer.
SZ	Size (GS1 Temporary Code) Any of a series of graded classifications of measure into which goods are divided.
SZG	Size Group (GS1 Temporary Code) A description of the variable size that is necessary to uniquely specify the size of the item in conjunction with the nonpackaged size dimension.
TYP	Type Code (GS1 Temporary Code) This is a code to indicate the type of EAS tag located on the Trade Item. Values include Acousto-Magnetic, Electro-Magnetic, Ink or dye, Microwave, Radio Frequency.
X11	Diet Allergen (GS1 Temporary Code) Indication of which dietary or allergen marks that are on the package.
X12	Environment (GS1 Temporary Code) Indication of which environmental marks (e.g. recycling schemes) that are on trade item package.
X13	Ethical (GS1 Temporary Code) Indication of which ethical trading marks that are on the package.
X14	Free Form (GS1 Temporary Code) Indication of which free-from marks that are on the package.

Used Codes

X15	Expiration date (GS1 Temporary Code) Indicates the type of expiration date marked on the packaging.
X16	Nesting Direction (GS1 Temporary Code) Depicts the arrangement of two items that nest together specifically whether they nest against each other or on top of each other.
X17	Package Marks Hygienic (GS1 Temporary Code) Indication of which hygiene markings are present in the product package
X18	Hazardous Components are Removable (GS1 Temporary Code) An indicator if any hazardous components contained within the trade item can easily be separated from the other materials to facilitate product recycling.
X19	Trade Item Has Refuse Obligations (GS1 Temporary Code) Indicates if there are special disposal obligations that apply to the trade item for example INTRASTAT.
X20	Trade Item Is Designed for Easy Disassembly (GS1 Temporary Code) Indicates that the trade item is designed for easy disassembly by recycling facilities using standard industry tools.
X21	Trade Item Is Rigid Plastic Packaging Container (GS1 Temporary Code) Indicates that a product is or is contained in a Rigid Plastic Packaging Container (RPPC) as defined by laws in the target market.
X22	Trade Item Is ROHS Compliant (GS1 Temporary Code) Indicates if the product is compliant with the European Union RoHS Directive.
X23	Trade Item Is Universal Waste (GS1 Temporary Code) Indicates if a product can be considered universal waste.
X24	Trade Item Is Consumer Upgradeable Or Maintainable (GS1 Temporary Code) Indicates if a product can be easily upgraded or have parts replaced by the consumer.
X25	Trade Item Contains Short Chain Chlorinated Paraffins (GS1 Temporary Code) Indicate if the trade item and/or its components contain paints, coatings, plastics or other materials containing short chain chlorinated paraffins (SCCPs).
X26	Trade Item Contains Pesticide (GS1 Temporary Code) Indicates if the trade item is advertised or labelled as a chemical or contains a chemical that is advertised or labelled to kill, repel or prevent the growth of any living organism.
X27	Trade Item Contains Propellant (GS1 Temporary Code) Indicates if a trade item contains a compressed gas or propellant.
X28	Trade Item Contains Polyvinyl Chloride (GS1 Temporary Code) Indicate if product contains Polyvinyl Chloride (PVC), a widely used thermoplastic polymer.

Used Codes

X29	Trade Item Chemical Is Not Intended For Human Consumption (GS1 Temporary Code) Indicates that the trade item is or contains a Liquid, Gel, Paste, Powder, or Flammable solid not intended for human consumption (ingested).
X30	ROHS Compliance Failure Material (GS1 Temporary Code) The material used in the trade item that does not comply with the ROHS Directives
X31	Packaging Terms And Condition (GS1 Temporary Code) Indicates if the packaging given in the described packaging configuration is a rented, exchangeable, against deposit or one way/not reusable.
X32	Warranty Effective Date Type (GS1 Temporary Code) The type of date associated with the warranty trade item usually expressed as an event date for the item for example date of purchase, date of manufacture or date of delivery.
X33	Warranty Type (GS1 Temporary Code) Type of warranty available for the part, e.g. labour, distance, extended service.
X35	Warranty Constraint (GS1 Temporary Code) Defines the relationship between different guarantee terms, e.g. "and", "or", "the stronger", "the weaker".
X36	Seasonal Availability End Date (GS1 Temporary Code) Indicates the end date of the trade item's seasonal availability.
X37	Seasonal Availability Start Date (GS1 Temporary Code) Indicates the start date of the trade item's seasonal availability.
X38	Season Calendar Year (GS1 Temporary Code) This element indicates the calendar year in which the trade item is seasonally available.
X39	Season Parameter (GS1 Temporary Code) Indication of the season, in which the trade item is available.
X40	Trade Item Automatic Power Down is Enabled (GS1 Temporary Code) An indicator whether a product is enabled with auto power down feature when shipped to the customer.
X41	Electrical Usage Agency Code (GS1 Temporary Code) The agency that regulates electrical usage for products within a target market.
X42	Nesting Type (GS1 Temporary Code) Depicts whether a nested item fits inside or over the other item in a nesting relationship.
X43	Display Dimension Type Code (GS1 Temporary Code) Depicts certain display scenarios used for measurement.

Used Codes

X44	<p>Manufacturer Has Take Back Program (GS1 Temporary Code)</p> <p>Indicates if the manufacturer of the trade item offers any take back programs to consumers for the product to be reused, remanufactured or recycled by the manufacturer.</p>
X45	<p>Display Resolution (GS1 Temporary Code)</p> <p>The display resolution of a television or computer display.</p>
X46	<p>Orientation Preference Sequence (GS1 Temporary Code)</p> <p>Depicts the preferred sequence of orientation used to communicate the manufacturers relative preferences of orientation.</p>
X47	<p>Orientation Type (GS1 Temporary Code)</p> <p>Depicts via code a display orientation for a trade item.</p>
X48	<p>Electrical Usage Trade Item Classification Code (GS1 Temporary Code)</p> <p>A classification code value from a product classification scheme provided to drive required information for electrical usage.</p>
X49	<p>Electrical Usage Trade Item Classification Name (GS1 Temporary Code)</p> <p>A classification name from a product classification scheme provided to drive required information for electrical usage.</p>
X50	<p>Electrical Usage SubClassification Code (GS1 Temporary Code)</p> <p>A sub-classification code value from a product classification scheme provided to drive required information for electrical usage.</p>
X51	<p>Electrical Usage SubClassification Name (GS1 Temporary Code)</p> <p>A sub-classification name provided to drive required information for electrical usage.</p>
X52	<p>Confirmation Status Code (GS1 Temporary Code)</p> <p>The CIC Confirmation Code must be of a type of code number that can be generated automatically by a computer system.</p>
X53	<p>Confirmation Status Code Description (GS1 Temporary Code)</p> <p>Provides the code description that matches up with the Code that can possibly be generated automatically by a computer system.</p>
X54	<p>Additional Confirmation Status Description (GS1 Temporary Code)</p> <p>Provides a way to communicate human entered information that may not be covered by the machine to machine codes and descriptions.</p>
X55	<p>Corrective Action (GS1 Temporary Code)</p> <p>Provides the corrective action code to fix the issue that caused the problem.</p>
X56	<p>Expected Corrective Information (GS1 Temporary Code)</p> <p>Provides the expected corrective information via a human entered information that may not be covered by the machine to machine codes.</p>
X57	<p>Electrical Usage Trade Item Classification Agency (GS1 Temporary Code)</p> <p>A classification agency or organisation whose product classification scheme is being provided to drive required information for electrical usage.</p>

Used Codes

X58	ASFIS (GS1 Permanent Code) FAO alphah-3 code list for fish species identification, commercial name & scientific name.
X59	FAO fishing areas (GS1 Permanent Code) FAO fishing areas codelist.
X60	FAO Fishing gear type (GS1 Permanent Code) FAO Fishing gear type codelist.
X61	EU fish quality (GS1 Permanent Code) EU fish quality grade code list (E, A, B, C).
X62	EU fish size (GS1 Permanent Code) EU fish standardized size code list (1, 2, 3, 4, 5 & One_Size).
X63	EU fish presentation (GS1 Permanent Code) EU fish presentation code list (3 or 5 char alpha code).
ZZZ	Mutually defined Self explanatory. Note : This code value will be removed effective with directory D.04A.
BOEV	BOEV (fix value)
MEDIA	Media (fix value)
1153	Reference code qualifier Code qualifying a reference.
AAK	Despatch advice number Reference number assigned by issuing party to a despatch advice.
AAN	Delivery schedule number Reference number assigned by buyer to a delivery schedule.
AAQ	Unit load device (e.g. container) identification number [8260] Marks (letters and/or numbers) which identify a unit load device e.g. freight container.
AAS	Transport document number [1188] Reference assigned by the carrier or his agent to the transport document.
ACD	Additional reference number Reference number provided in addition to another given reference.
ALL	Message batch number A number identifying a batch of messages.
AXB	Instruction for returns number A reference number identifying a previously communicated instruction for return message. GS1 Note: Replaces GS1 Temporary Code IRN.

Used Codes

AXO	Product certification number Number assigned by a governing body (or their agents) to a product which certifies compliance with a standard. GS1 Note: Replaces GS1 Temporary Code XC1.
BO	Blanket order number Reference number assigned by the order issuer to a blanket order.
CR	Customer reference number Reference number assigned by the customer to a transaction.
DQ	Delivery note number Reference number assigned by the issuer to a delivery note.
GN	Government reference number A number that identifies a government reference. GS1 Description: This code value should not be used to provide the tax identification number for a party (use code VA).
IV	Invoice number [1334] Reference number assigned by the seller to a Commercial Invoice.
LI	Line item reference number (1156) Reference number identifying a particular line in a document.
ON	Order number (buyer) [1022] Reference number assigned by the buyer to an order.
PD	Promotion deal number Number assigned by a vendor to a special promotion activity.
POR	Purchase order response number Reference number assigned by the seller to an order response.
SD	Sales department number A number that identifies a sales department.
SRN	Shipment reference number Reference number assigned to a shipment. GS1 Description: Reference number assigned by a consignor to a particular shipment for his own purposes or for those of the consignee.
SS	Seller's reference number Reference number assigned to a transaction by the seller.
UC	Ultimate customer's reference number The originator's reference number as forwarded in a sequence of parties involved.
VN	Order number (supplier) Reference number assigned by supplier to a buyer's purchase order.

Used Codes

XA	Company/place registration number Company registration and place as legally required.
YC1	Additional party identification (GS1 Temporary Code) Reference number to an additional party identification. This number may be the internal trading partner identification number used by a party to identify its trading parties.
EID	Economic operator identifier (EO-ID)
FID	Facility identifier (F-ID)
TAU	Aggregated level unique identifier (aUI)
TUU	Aggregated level unique identifier (upUI)
1225	Message function code Code indicating the function of the message.
9	Original Initial transmission related to a given transaction.
2005	Date or time or period function code qualifier Code qualifying the function of a date, time or period.
2	Delivery date/time, requested Date on which buyer requests goods to be delivered.
11	Despatch date and/or time (2170) Date/time on which the goods are or are expected to be despatched or shipped.
17	Delivery date/time, estimated Date and/or time when the shipper of the goods expects delivery will take place.
36	Expiry date Date of expiry of the validity of a referenced document, price information or any other referenced data element with a limited validity period.
44	Availability Date/time when received item is available.
137	Document/message date/time (2006) Date/time when a document/message is issued. This may include authentication.
171	Reference date/time Date/time on which the reference was issued.
200	Pick-up/collection date/time of cargo Date/time at which the cargo is picked up.

Used Codes

361	Best before date The best before date.
2379	Date or time or period format code Code specifying the representation of a date, time or period.
2	DDMMYY Calendar date: D = Day; M = Month; Y = Year.
101	YYMMDD Calendar date: Y = Year; M = Month; D = Day.
102	CCYYMMDD Calendar date: C = Century ; Y = Year ; M = Month ; D = Day.
104	MMWW-MMWW A period of time specified by giving the start week of a month followed by the end week of a month. Data is to be transmitted as consecutive characters without hyphen.
107	DDD Day's number within a specific year: D = Day.
108	WW Week's number within a specific year: W = Week.
109	MM Month's number within a specific year: M = Month.
110	DD Day's number within is a specific month.
201	YYMMDDHHMM Calendar date including time without seconds: Y = Year; M = Month; D = Day; H = Hour; M = Minute.
203	CCYYMMDDHHMM Calendar date including time with minutes: C=Century; Y=Year; M=Month; D=Day; H=Hour; M=Minutes.
204	CCYYMMDDHHMMSS Calendar date including time with seconds: C=Century;Y=Year; M=Month; D=Day;H=Hour;M=Minute;S=Second.
401	HHMM Time without seconds: H = Hour; m = Minute.
501	HHMMHHMM Time span without seconds: H = Hour; m = Minute;.
502	HHMMSS-HHMMSS Format of period to be given without hyphen.

Used Codes

602	CCYY Calendar year including century: C = Century; Y = Year.
609	YYMM Month within a calendar year: Y = Year; M = Month.
610	CCYMM Month within a calendar year: CC = Century; Y = Year; M = Month.
615	YYWW Week within a calendar year: Y = Year; W = Week 1st week of January = week 01.
616	CCYYWW Week within a calendar year: CC = Century; Y = Year; W = Week (1st week of January = week 01).
713	YYMMDDHHMM-YYMMDDHHMM Format of period to be given in actual message without hyphen.
715	YYWW-YYWW A period of time specified by giving the start week of a year followed by the end week of year (both not including century). Data is to be transmitted as consecutive characters without hyphen.
717	YYMMDD-YYMMDD Format of period to be given in actual message without hyphen.
718	CCYMMDD-CCYMMDD Format of period to be given without hyphen.
719	CCYMMDDHHMM-CCYMMDDHHMM A period of time which includes the century, year, month, day, hour and minute. Format of period to be given in actual message without hyphen.
720	DHHMM-DHHMM Format of period to be given without hyphen (D=day of the week, 1=Monday; 2=Tuesday; ... 7=Sunday).
801	Year To indicate a quantity of years.
802	Month To indicate a quantity of months.
803	Week To indicate a quantity of weeks.
804	Day To indicate a quantity of days.
805	Hour To indicate a quantity of hours.

Used Codes

806	Minute To indicate a quantity of minutes.
810	Trimester To indicate a quantity of trimesters (three months).
811	Half month To indicate a quantity of half months.
21E	DDHHMM-DDHHMM (GS1 Temporary Code) Format of period to be given in actual message without hyphen.
3035	Party function code qualifier Code giving specific meaning to a party.
BY	Buyer Party to whom merchandise and/or service is sold.
DGC	Logistic service provider A party providing logistic services for another party (e.g re-packing suppliers products) on products. GS1 Note: Replaces GS1 Temporary Code LSP.
DP	Delivery party (3144) Party to which goods should be delivered, if not identical with consignee. GS1 Description: Party to which goods should be delivered, if not the same as the buyer.
FW	Freight forwarder Party arranging forwarding of goods.
IV	Invoicee (3006) Party to whom an invoice is issued.
PW	Despatch party (3282) Party where goods are collected or taken over by the carrier (i.e. if other than consignor).
SF	Ship from Identification of the party from where goods will be or have been shipped.
SU	Supplier Party who supplies goods and/or services. GS1 Description: Party which provides service(s) and/or manufactures or otherwise has possession of goods, and consigns or makes them available in trade.
UC	Ultimate consignee Party who has been designated on the invoice or packing list as the final recipient of the stated merchandise.

Used Codes

UD	Ultimate customer The final recipient of goods.
3055	Code list responsible agency code Code specifying the agency responsible for a code list.
2	CEC (Commission of the European Communities) Generic: see also 140, 141, 142, 162. GS1 Description: Commission of the European Communities
3	IATA (International Air Transport Association) The airline industry's international organisation. GS1 Description: International Air Transport Association
5	ISO (International Organization for Standardization) International Organization of Standardization.
6	UN/ECE (United Nations - Economic Commission for Europe) United Nations Economic Commission for Europe.
7	CEFIC (Conseil European des Federations de l'Industrie Chimique) EDI project for chemical industry.
8	EDIFICE Standardised electronic commerce forum for companies with interests in computing, electronics and telecommunications. GS1 Description: EDI Forum for companies with Interest in Computing and Electronics (EDI project for EDP/ADP sector).
9	GS1 GS1 (formerly EAN International), an organisation of GS1 Member Organisations, which manages the GS1 System. GS1 Description: GS1 International.
10	ODETTE Organization for Data Exchange through Tele-Transmission in Europe (European automotive industry project).
17	S.W.I.F.T. Society for Worldwide Interbank Financial Telecommunications s.c.
28	EDITEUR (European book sector electronic data interchange group) Code identifying the pan European user group for the book industry as an organisation responsible for code values in the book industry.
60	Assigned by national trade agency The code list is from a national agency.

Used Codes

65	GS1 France Organisation responsible for GS1 System in France.
68	GS1 Italy Organisation responsible for GS1 System in Italy.
83	US, National Retail Federation The National Retail Federation is the trade association for the general merchandise retailing industry. In addition to providing support and education services, they also maintain and publish standard colour and size codes for the retail industry.
84	DE, BRD (Gesetzgeber der Bundesrepublik Deutschland) German legislature.
86	Assigned by party originating the message Codes assigned by the party originating the message.
87	Assigned by carrier Codes assigned by the carrier.
88	Assigned by owner of operation Assigned by owner of operation (e.g. used in construction).
89	Assigned by distributor Codes assigned by a distributor.
90	Assigned by manufacturer Code assigned by the manufacturer.
91	Assigned by supplier or supplier's agent Codes assigned by a seller or seller's agent. GS1 Description: Code assigned by the supplier or supplier's agent.
92	Assigned by buyer or buyer's agent Codes assigned by a buyer or buyer's agent.
112	US, U.S. Census Bureau The Bureau of the Census of the U.S. Dept. of Commerce.
113	GS1 US Organisation responsible for GS1 System in the USA.
116	US, ANSI ASC X12 American National Standards Institute ASC X12.
131	DE, German Bankers Association German Bankers' Association.
136	GS1 UK Organisation responsible for GS1 System in the UK.

Used Codes

137	AT, Verband oesterreichischer Banken und Bankiers Austrian bankers association.
174	DE, DIN (Deutsches Institut fuer Normung) German standardization institute.
182	US, Standard Carrier Alpha Code (Motor) Organisation maintaining the SCAC lists and transportation operating in North America.
194	AU, AQIS (Australian Quarantine and Inspection Service) Australian Quarantine and Inspection Service.
200	GS1 Netherlands Organisation responsible for GS1 System in the Netherlands.
245	GS1 Denmark Organisation responsible for GS1 System in Denmark.
246	GS1 Germany Organisation responsible for GS1 System in Germany. GS1 Description: German representative of International Article Numbering association (GS1).
260	Ediel Nordic forum A code to identify Ediel Nordic forum, which is an organization standardizing the use of EDI between the participants in the Nordic power market.
281	GS1 Belgium & Luxembourg Organisation responsible for GS1 System in Belgium & Luxembourg.
286	SE, TCO (Tjänstemännens Central Organisation) The Swedish Confederation of Professional Employees.
294	GS1 Austria Organisation responsible for the GS1 System in Austria.
295	AU, Therapeutic Goods Administration Austrian administration responsible for the regulation of therapeutic goods in Australia. EDIFACT
297	IT, Ufficio IVA Ufficio responsabile gestione partite IVA, Italy (Italian Institute issuing VAT registration numbers). EDIFACT
298	GS1 Spain Organisation responsible for the GS1 System in Spain.
316	GS1 Finland Organisation responsible for the GS1 system in Finland.

Used Codes

317	GS1 Brazil Organisation responsible for the GS1 system in Brazil.
324	GS1 Ireland Organisation responsible for the GS1 system in Ireland.
325	GS1 Russia Organisation responsible for the GS1 system in Russia.
326	GS1 Poland Organisation responsible for the GS1 system in Poland.
327	GS1 Estonia Organisation responsible for the GS1 system in Estonia.
376	PANTONE Color code controlling organisation
400	FAO (Food and Agriculture Organisation) Food and Agriculture Organisation of the United Nations.
403	Comite Europeen de Normalisation Comite Européen de Normalisation (CEN), European committee for standardisation. GS1 Note: Replaces GS1 Temporary Code CEN.
404	Assigned by logistics service provider Codes assigned by a logistics service provider. GS1 Note: Replaces GS1 Temporary Code X6.
CEN	Comite European de Normalisation (GS1 Temporary Code) Comite European de Normalisation. GS1 Note: Code marked for deletion. Use value 403 instead.
PMS	Pantone Matching System (GS1 Temporary Code) Pantone Matching System.
RAL	DE, Deutsches Institut fuer Guetesicherung und Kennzeichnung (GS1 Temporary Code) German Institute for Quality Assurance and Certification.
X5	IT, Ufficio IVA (GS1 Temporary Code) Ufficio responsabile gestione partite IVA, Italy (Italian Institute issuing VAT registration numbers).
X6	Assigned by logistics service provider (GS1 Temporary Code) Codes assigned by the logistics service provider. GS1 Note: Code marked for deletion. Use value 404 instead.
ZZZ	Mutually defined A code assigned within a code list to be used on an interim basis and as defined among trading partners until a precise code can be assigned to the code list.

Used Codes

3139	Contact function code Code specifying the function of a contact (e.g. department or person).
AA	Insurance contact Department/person to contact for matters regarding insurance.
AD	Accounting contact The contact responsible for accounting matters.
AE	Contract contact Department/person to contact for matters regarding contracts.
AM	Claims contact Department/person to contact for matters regarding claims.
AP	Accounts payable contact Department/person responsible for the accounts payable function within a corporation.
AR	Accounts receivable contact Department/person responsible for the accounts receivable within a corporation.
BC	Banking contact Contact person for bank.
BJ	Department or person responsible for processing purchase order Identification of the department or person responsible for the processing of purchase orders.
BN	Certification contact Code specifying a contact with knowledge of a certification action.
BO	After business hours contact Department/person to contact after normal working hours.
BR	Cook Person responsible for cooking. GS1 Note: Replaces GS1 Temporary Code CKE.
CB	Changed by Person who made the change.
CKE	Cook (GS1 Temporary Code) Person responsible for cooking. GS1 Note: Code marked for deletion. Use value BR instead.
CN	Consignee (3132) Party to which goods are consigned.
CO	Consignor (3336) Party which, by contract with a carrier, consigns or sends goods with the carrier, or has them conveyed by him. Synonym: shipper/sender.

Used Codes

CP	Responsible person for computer data processing Responsible person to contact for matters regarding computer data processing.
CR	Customer relations Individual responsible for customer relations.
DE	Department/employee to execute export procedures Department/employee which/who executes export procedures.
DI	Department/employee to execute import procedures Department/employee which/who executes import procedures.
DL	Delivery contact Department/person responsible for delivery.
ED	Engineering contact Department/person to contact for matters regarding engineering.
GR	Goods receiving contact Department/person responsible for receiving the goods at the place of delivery.
HE	Emergency dangerous goods contact Party who is to be contacted to intervene in case of emergency.
HG	Dangerous goods contact Department/person to be contacted for details about the transportation of dangerous goods/hazardous material.
IC	Information contact Department/person to contact for questions regarding transactions.
LO	Place of collection contact Department/employee to be contacted at the place of collection.
MGR	Manager (GS1 Temporary Code) Person responsible for management within a department or company.
NT	Notification contact Department/employee to be notified.
OC	Order contact An individual to contact for questions regarding this order.
PD	Purchasing contact Department/person responsible for issuing this purchase order.
PM	Product management contact Department/person to contact for questions regarding this order.
QC	Quality coordinator contact Quality coordinator contact within an organization.
SA	Sales administration Name of the sales administration contact within a corporation.

Used Codes

SD	Shipping contact The shipping department contact within an organization.
SR	Sales representative or department The sales representative or department contact within an organization.
TA	Traffic administrator The traffic administrator contact within an organization.
TD	Test contact Department/person responsible for testing contact.
TR	Transport contact Department/person in charge of transportation.
WH	Warehouse The warehouse contact within an organization.
3155	Communication address code qualifier Code qualifying the communication address.
AL	Cellular phone Identifies the cellular phone number.
AO	Uniform Resource Location (URL) Identification of the Uniform Resource Location (URL) Synonym: World wide web address. EDIFACT
AQ	X.400 address for mail text The X.400 address accepting information in the body text of a message.
AR	AS1 address Address capable of receiving messages in accordance with the EDIINT/AS1 protocol for MIME based EDI .
AS	AS2 address Address capable of receiving messages in accordance with the EDIINT/AS2 protocol.
AT	AS3 address Address capable of receiving messages in accordance with the EDIINT/AS3 protocol.
AU	File Transfer Protocol Address capable for receiving message in accordance with the File Transfer Protocol (IETF RFC 959 et. al.).
CA	Cable address The communication number identifies a cable address.
EI	EDI Number identifying the service and service user.

Used Codes

EM	Electronic mail Exchange of mail by electronic means. GS1 Description: Creating/sending/receiving of unstructured free text messages or documents using computer network, a mini-computer or an attached modem and regular telephone line or other electronic transmission media.
EXI	Exite mail (GS1 Temporary Code) Requests that the file shall be returned via Exite. GS1 Note: Code marked for deletion.
FX	Fax Device used for transmitting and reproducing fixed graphic material (as printing) by means of signals over telephone lines or other electronic transmission media.
IA	Interchange address (GS1 Temporary Code) Code identifying an EDI interchange address.
TE	Telephone Voice/data transmission by telephone.
TL	Telex Transmission of text/data via telex.
XF	X.400 The X.400 address. GS1 Description: CCITT Message handling system.
XG	Pager Identifies that the communication number is for a pager.
3207	Country name code Identification of the name of the country or other geographical entity as defined in ISO 3166-1. Notes: 1. Use ISO 3166-1 two alpha country code.
AD	ANDORRA
AE	UNITED ARAB EMIRATES
AF	AFGHANISTAN
AG	ANTIGUA AND BARBUDA
AI	ANGUILLA
AL	ALBANIA
AM	ARMENIA
AO	ANGOLA

Used Codes

AQ	ANTARCTICA
AR	ARGENTINA
AS	AMERICAN SAMOA
AT	AUSTRIA
AU	AUSTRALIA
AW	ARUBA
AX	ÅLAND ISLANDS
AZ	AZERBAIJAN
BA	BOSNIA AND HERZEGOVINA
BB	BARBADOS
BD	BANGLADESH
BE	BELGIUM
BF	BURKINA FASO
BG	BULGARIA
BH	BAHRAIN
BI	BURUNDI
BJ	BENIN
BL	SAINT BARTHÉLEMY
BM	BERMUDA
BN	BRUNEI DARUSSALAM
BO	BOLIVIA (PLURINATIONAL STATE OF)
BQ	BONAIRE, SINT EUSTATIUS AND SABA
BR	BRAZIL
BS	BAHAMAS
BT	BHUTAN
BV	BOUVET ISLAND
BW	BOTSWANA
BY	BELARUS
BZ	BELIZE
CA	CANADA
CC	COCOS (KEELING) ISLANDS
CD	CONGO, DEMOCRATIC REPUBLIC OF THE
CF	CENTRAL AFRICAN REPUBLIC

Used Codes

CG	CONGO
CH	SWITZERLAND
CI	COTE D'IVOIRE
CK	COOK ISLANDS
CL	CHILE
CM	CAMEROON
CN	CHINA
CO	COLOMBIA
CR	COSTA RICA
CU	CUBA
CV	CABO VERDE
CW	CURAÇAO
CX	CHRISTMAS ISLAND
CY	CYPRUS
CZ	CZECHIA
DE	GERMANY
DJ	DJIBOUTI
DK	DENMARK
DM	DOMINICA
DO	DOMINICAN REPUBLIC
DZ	ALGERIA
EC	ECUADOR
EE	ESTONIA
EG	EGYPT
EH	WESTERN SAHARA
ER	ERITREA
ES	SPAIN
ET	ETHIOPIA
FI	FINLAND
FJ	FIJI
FK	FALKLAND ISLANDS (MALVINAS)
FM	MICRONESIA (FEDERATED STATES OF)
FO	FAROE ISLANDS

Used Codes

FR	FRANCE
GA	GABON
GB	UNITED KINGDOM OF GREAT BRITAIN AND NORTHERN IRELAND
GD	GRENADA
GE	GEORGIA
GF	FRENCH GUIANA
GG	GUERNSEY
GH	GHANA
GI	GIBRALTAR
GL	GREENLAND
GM	GAMBIA
GN	GUINEA
GP	GUADELOUPE
GQ	EQUATORIAL GUINEA
GR	GREECE
GS	SOUTH GEORGIA AND THE SOUTH SANDWICH ISLANDS
GT	GUATEMALA
GU	GUAM
GW	GUINEA-BISSAU
GY	GUYANA
HK	HONG KONG
HM	HEARD ISLAND AND MCDONALD ISLANDS
HN	HONDURAS
HR	CROATIA
HT	HAITI
HU	HUNGARY
ID	INDONESIA
IE	IRELAND
IL	ISRAEL
IM	ISLE OF MAN
IN	INDIA
IO	BRITISH INDIAN OCEAN TERRITORY
IQ	IRAQ

Used Codes

IR	IRAN (ISLAMIC REPUBLIC OF)
IS	ICELAND
IT	ITALY
JE	JERSEY
JM	JAMAICA
JO	JORDAN
JP	JAPAN
KE	KENYA
KG	KYRGYZSTAN
KH	CAMBODIA
KI	KIRIBATI
KM	COMOROS
KN	SAINT KITTS AND NEVIS
KP	KOREA (DEMOCRATIC PEOPLE'S REPUBLIC OF)
KR	KOREA, REPUBLIC OF
KW	KUWAIT
KY	CAYMAN ISLANDS
KZ	KAZAKHSTAN
LA	LAO PEOPLE'S DEMOCRATIC REPUBLIC
LB	LEBANON
LC	SAINT LUCIA
LI	LIECHTENSTEIN
LK	SRI LANKA
LR	LIBERIA
LS	LESOTHO
LT	LITHUANIA
LU	LUXEMBOURG
LV	LATVIA
LY	LIBYA
MA	MOROCCO
MC	MONACO
MD	MOLDOVA, REPUBLIC OF
ME	MONTENEGRO

Used Codes

MF	SAINT MARTIN (FRENCH PART)
MG	MADAGASCAR
MH	MARSHALL ISLANDS
MK	NORTH MACEDONIA
ML	MALI
MM	MYANMAR
MN	MONGOLIA
MO	MACAO
MP	NORTHERN MARIANA ISLANDS
MQ	MARTINIQUE
MR	MAURITANIA
MS	MONTSERRAT
MT	MALTA
MU	MAURITIUS
MV	MALDIVES
MW	MALAWI
MX	MEXICO
MY	MALAYSIA
MZ	MOZAMBIQUE
NA	NAMIBIA
NC	NEW CALEDONIA
NE	NIGER
NF	NORFOLK ISLAND
NG	NIGERIA
NI	NICARAGUA
NL	NETHERLANDS
NO	NORWAY
NP	NEPAL
NR	NAURU
NU	NIUE
NZ	NEW ZEALAND
OM	OMAN
PA	PANAMA

Used Codes

PE	PERU
PF	FRENCH POLYNESIA
PG	PAPUA NEW GUINEA
PH	PHILIPPINES
PK	PAKISTAN
PL	POLAND
PM	SAINT PIERRE AND MIQUELON
PN	PITCAIRN
PR	PUERTO RICO
PS	PALESTINE, STATE OF
PT	PORTUGAL
PW	PALAU
PY	PARAGUAY
QA	QATAR
RE	REUNION
RO	ROMANIA
RS	SERBIA
RU	RUSSIAN FEDERATION
RW	RWANDA
SA	SAUDI ARABIA
SB	SOLOMON ISLANDS
SC	SEYCHELLES
SD	SUDAN
SE	SWEDEN
SG	SINGAPORE
SH	SAINT HELENA, ASCENSION AND TRISTAN DA CUNHA
SI	SLOVENIA
SJ	SVALBARD AND JAN MAYEN
SK	SLOVAKIA
SL	SIERRA LEONE
SM	SAN MARINO
SN	SENEGAL
SO	SOMALIA

Used Codes

SR	SURINAME
SS	SOUTH SUDAN
ST	SAO TOME AND PRINCIPE
SV	EL SALVADOR
SX	SINT MAARTEN (DUTCH PART)
SY	SYRIAN ARAB REPUBLIC
SZ	ESWATINI
TC	TURKS AND CAICOS ISLANDS
TD	CHAD
TF	FRENCH SOUTHERN TERRITORIES
TG	TOGO
TH	THAILAND
TJ	TAJKISTAN
TK	TOKELAU
TL	TIMOR-LESTE
TM	TURKMENISTAN
TN	TUNISIA
TO	TONGA
TR	TURKEY
TT	TRINIDAD AND TOBAGO
TV	TUVALU
TW	TAIWAN, PROVINCE OF CHINA
TZ	TANZANIA, UNITED REPUBLIC OF
UA	UKRAINE
UG	UGANDA
UM	UNITED STATES MINOR OUTLYING ISLANDS
US	UNITED STATES OF AMERICA
UY	URUGUAY
UZ	UZBEKISTAN
VA	HOLY SEE
VC	SAINT VINCENT AND THE GRENADINES
VE	VENEZUELA (BOLIVARIAN REPUBLIC OF)
VG	VIRGIN ISLANDS, BRITISH

Used Codes

VI	VIRGIN ISLANDS, U.S.
VN	VIET NAM
VU	VANUATU
WF	WALLIS AND FUTUNA
WS	SAMOA
YE	YEMEN
YT	MAYOTTE
ZA	SOUTH AFRICA
ZM	ZAMBIA
ZW	ZIMBABWE

3453

Language name code
Code specifying the language name.

Notes:

1. Use ISO 639-1988.

AA	Afar
aa	Afar
AB	Abkhazian
ab	Abkhazian
AE	Avestan
ae	Avestan
AF	Afrikaans
af	Afrikaans
AK	Akan
ak	Akan
AM	Amharic
am	Amharic
AN	Aragonese
an	Aragonese
AR	Arabic
ar	Arabic
AS	Assamese
as	Assamese
AV	Avaric

Used Codes

av	Avaric
AY	Aymara
ay	Aymara
AZ	Azerbaijani
az	Azerbaijani
BA	Bashkir
ba	Bashkir
BE	Belarusian
be	Belarusian
BG	Bulgarian
bg	Bulgarian
BH	Bihari
bh	Bihari
BI	Bislama
bi	Bislama
BM	Bambara
bm	Bambara
BN	Bengali
bn	Bengali
BO	Tibetan
bo	Tibetan
BR	Breton
br	Breton
BS	Bosnian
bs	Bosnian
CA	Catalan; Valencian
ca	Catalan; Valencian
CE	Chechen
ce	Chechen
CH	Chamorro
ch	Chamorro
CO	Corsican
co	Corsican

Used Codes

CR	Cree
cr	Cree
CS	Czech
cs	Czech
CU	Church Slavic; Old Slavonic; Church Slavonic; Old Bulgarian; Old Church Slavonic
cu	Church Slavic; Old Slavonic; Church Slavonic; Old Bulgarian; Old Church Slavonic
CV	Chuvash
cv	Chuvash
CY	Welsh
cy	Welsh
DA	Danish
da	Danish
DE	German
de	German
DV	Divehi; Dhivehi; Maldivian
dv	Divehi; Dhivehi; Maldivian
DZ	Dzongkha
dz	Dzongkha
EE	Ewe
ee	Ewe
EL	Greek; Modern (1453-)
el	Greek; Modern (1453-)
EN	English
en	English
EO	Esperanto
eo	Esperanto
ES	Spanish; Castilian
es	Spanish; Castilian
ET	Estonian
et	Estonian
EU	Basque
eu	Basque

Used Codes

FA	Persian
fa	Persian
FF	Fulah
ff	Fulah
FI	Finnish
fi	Finnish
FJ	Fijian
fj	Fijian
FO	Faroese
fo	Faroese
FR	French
fr	French
FY	Western Frisian
fy	Western Frisian
GA	Irish
ga	Irish
GD	Gaelic; Scottish Gaelic
gd	Gaelic; Scottish Gaelic
GL	Galician
gl	Galician
GN	Guarani
gn	Guarani
GU	Gujarati
gu	Gujarati
GV	Manx
gv	Manx
HA	Hausa
ha	Hausa
HE	Hebrew
he	Hebrew
HI	Hindi
hi	Hindi
HO	Hiri Motu

Used Codes

ho	Hiri Motu
HR	Croatian
hr	Croatian
HT	Haitian; Haitian Creole
ht	Haitian; Haitian Creole
HU	Hungarian
hu	Hungarian
HY	Armenian
hy	Armenian
HZ	Herero
hz	Herero
IA	Interlingua (International Auxiliary Language Association)
ia	Interlingua (International Auxiliary Language Association)
ID	Indonesian
id	Indonesian
IE	Interlingue
ie	Interlingue
IG	Igbo
ig	Igbo
II	Sichuan Yi
ii	Sichuan Yi
IK	Inupiaq
ik	Inupiaq
IO	Ido
io	Ido
IS	Icelandic
is	Icelandic
IT	Italian
it	Italian
IU	Inuktitut
iu	Inuktitut
JA	Japanese
ja	Japanese

Used Codes

JV	Javanese
jv	Javanese
KA	Georgian
ka	Georgian
KG	Kongo
kg	Kongo
KI	Kikuyu; Gikuyu
ki	Kikuyu; Gikuyu
KJ	Kuanyama; Kwanyama
kj	Kuanyama; Kwanyama
KK	Kazakh
kk	Kazakh
KL	Kalaallisut; Greenlandic
kl	Kalaallisut; Greenlandic
KM	Central Khmer
km	Central Khmer
KN	Kannada
kn	Kannada
KO	Korean
ko	Korean
KR	Kanuri
kr	Kanuri
KS	Kashmiri
ks	Kashmiri
KU	Kurdish
ku	Kurdish
KV	Komi
kv	Komi
KW	Cornish
kw	Cornish
KY	Kirghiz; Kyrgyz
ky	Kirghiz; Kyrgyz
LA	Latin

Used Codes

la	Latin
LB	Luxembourgish; Letzeburgesch
lb	Luxembourgish; Letzeburgesch
LG	Ganda
lg	Ganda
LI	Limburgan; Limburger; Limburgish
li	Limburgan; Limburger; Limburgish
LN	Lingala
ln	Lingala
LO	Lao
lo	Lao
LT	Lithuanian
lt	Lithuanian
LU	Luba-Katanga
lu	Luba-Katanga
LV	Latvian
lv	Latvian
MG	Malagasy
mg	Malagasy
MH	Marshallese
mh	Marshallese
MI	Maori
mi	Maori
MK	Macedonian
mk	Macedonian
ML	Malayalam
ml	Malayalam
MN	Mongolian
mn	Mongolian
MO	Moldavian; Moldovan
mo	Moldavian; Moldovan
MR	Marathi
mr	Marathi

Used Codes

MS	Malay
ms	Malay
MT	Maltese
mt	Maltese
MY	Burmese
my	Burmese
NA	Nauru
na	Nauru
NB	Bokmal Norwegian; Norwegian Bokmal
nb	Bokmal Norwegian; Norwegian Bokmal
ND	Ndebele; North; North Ndebele
nd	Ndebele; North; North Ndebele
NE	Nepali
ne	Nepali
NG	Ndonga
ng	Ndonga
NL	Dutch; Flemish
nl	Dutch; Flemish
NN	Norwegian Nynorsk; Nynorsk, Norwegian
nn	Norwegian Nynorsk; Nynorsk, Norwegian
NO	Norwegian
no	Norwegian
NR	Ndebele; South; South Ndebele
nr	Ndebele; South; South Ndebele
NV	Navajo; Navaho
nv	Navajo; Navaho
NY	Chichewa; Chewa; Nyanja
ny	Chichewa; Chewa; Nyanja
OC	Occitan (post 1500); Provencal
oc	Occitan (post 1500); Provencal
OJ	Ojibwa
oj	Ojibwa
OM	Oromo

Used Codes

om	Oromo
OR	Oriya
or	Oriya
OS	Ossetian; Ossetic
os	Ossetian; Ossetic
PA	Panjabi; Punjabi
pa	Panjabi; Punjabi
PI	Pali
pi	Pali
PL	Polish
pl	Polish
PS	Pushto; Pashto
ps	Pushto; Pashto
PT	Portuguese
pt	Portuguese
QU	Quechua
qu	Quechua
RM	Romansh
rm	Romansh
RN	Rundi
rn	Rundi
RO	Romanian
ro	Romanian
RU	Russian
ru	Russian
RW	Kinyarwanda
rw	Kinyarwanda
SA	Sanskrit
sa	Sanskrit
SC	Sardinian
sc	Sardinian
SD	Sindhi
sd	Sindhi

Used Codes

SE	Northern Sami
se	Northern Sami
SG	Sango
sg	Sango
SI	Sinhala; Sinhalese
si	Sinhala; Sinhalese
SK	Slovak
sk	Slovak
SL	Slovenian
sl	Slovenian
SM	Samoan
sm	Samoan
SN	Shona
sn	Shona
SO	Somali
so	Somali
SQ	Albanian
sq	Albanian
SR	Serbian
sr	Serbian
SS	Swati
ss	Swati
ST	Sotho, Southern
st	Sotho, Southern
SU	Sundanese
su	Sundanese
SV	Swedish
sv	Swedish
SW	Swahili
sw	Swahili
TA	Tamil
ta	Tamil
TE	Telugu

Used Codes

te	Telugu
TG	Tajik
tg	Tajik
TH	Thai
th	Thai
TI	Tigrinya
ti	Tigrinya
TK	Turkmen
tk	Turkmen
TL	Tagalog
tl	Tagalog
TN	Tswana
tn	Tswana
TO	Tonga (Tonga Islands)
to	Tonga (Tonga Islands)
TR	Turkish
tr	Turkish
TS	Tsonga
ts	Tsonga
TT	Tatar
tt	Tatar
TW	Twi
tw	Twi
TY	Tahitian
ty	Tahitian
UG	Uighur; Uyghur
ug	Uighur; Uyghur
UK	Ukrainian
uk	Ukrainian
UR	Urdu
ur	Urdu
UZ	Uzbek
uz	Uzbek

Used Codes

VE	Venda
ve	Venda
VI	Vietnamese
vi	Vietnamese
VO	Volapük
vo	Volapük
WA	Walloon
wa	Walloon
WO	Wolof
wo	Wolof
XH	Xhosa
xh	Xhosa
YI	Yiddish
yi	Yiddish
YO	Yoruba
yo	Yoruba
ZA	Zhuang; Chuang
za	Zhuang; Chuang
ZH	Chinese
zh	Chinese
ZU	Zulu
zu	Zulu

4079

Handling instruction description code
Code specifying a handling instruction.

1

Heat sensitive
The object is heat sensitive.

2

Store in dry environment
The object must be stored in dry environment.

3

Stacked
The identified item is, or can be stacked.

11

Refrigeration required
Item must be refrigerated for proper handling.

12

Refrigeration not required
Item does not need to be refrigerated for proper handling.

Used Codes

13	<p>Destroy</p> <p>The identified goods are to be destroyed according to specified instructions. GS1 Note: Replaces GS1 Temporary Code DES.</p>
14	<p>Keep frozen</p> <p>The identified products is frozen and should be kept frozen. GS1 Note: Replaces GS1 Temporary Code FRO.</p>
15	<p>Hang garment</p> <p>The identified product(s) should be handled as a hanging garment. GS1 Note: Replaces GS1 Temporary Code HGA.</p>
16	<p>Labeling required</p> <p>The identified product is/are to be labelled. GS1 Note: Replaces GS1 Temporary Code LAB.</p>
17	<p>Keep in a lying position</p> <p>The identified product(s) should be kept in a lying position. GS1 Note: Replaces GS1 Temporary Code LYG.</p>
18	<p>Move according to instruction</p> <p>The identified product is to be moved according to instructions specified. GS1 Note: Replaces GS1 Temporary Code MOV.</p>
19	<p>Pack according to instruction</p> <p>The identified product is to be packed according to the instructions provided. GS1 Note: Replaces GS1 Temporary Code PAC.</p>
20	<p>Prepare for shipment</p> <p>The identified product(s) is(are) to be prepared for shipment. GS1 Note: Replaces GS1 Temporary Code PFS.</p>
21	<p>Reserve according to instruction</p> <p>Reserve identified goods according to specified instructions. GS1 Note: Replaces GS1 Temporary Code RES.</p>
22	<p>Light sensitive</p> <p>The product is sensitive to light. GS1 Note: Replaces GS1 Temporary Code SLT.</p>
23	<p>Transit or cross docking delivery request</p> <p>The identified product is to be delivered via a transit or cross docking facility. GS1 Note: Replaces GS1 Temporary Code TRD.</p>
24	<p>Unpacking required</p> <p>The identified product is to be unpacked from the identified package. GS1 Note: Replaces GS1 Temporary Code UNP.</p>
25	<p>Keep in upright/standing position</p> <p>The identified product should be kept in an upright or standing position. GS1 Note: Replaces GS1 Temporary Code UPR.</p>
AVI	<p>Live animal (GS1 Temporary Code)</p> <p>The identified product consists of live animals.</p>

Used Codes

BIG	Outsized (GS1 Temporary Code) The identified product is oversized.
CRU	Crushable (GS1 Temporary Code) The identified product is fragile.
DAE	Dangerous article (GS1 Temporary Code) A code indicating that an article is dangerous.
DCE	Delivery via distribution centre (GS1 Temporary Code) Code marked for deletion.
DDE	Direct delivery (GS1 Temporary Code) Code marked for deletion.
DES	Destroy (GS1 Temporary Code) The identified goods are to be destroyed according to specified instructions. GS1 Note: Code marked for deletion. Use value 13 instead.
EAT	Foodstuffs (GS1 Temporary Code) The identified product consists of food.
FAC	Factory package (GS1 Temporary Code) Item isn't packed for end consumer. Repacking might be necessary
FRO	Frozen (GS1 Temporary Code) The identified products is frozen and should be kept frozen. GS1 Note: Code marked for deletion. Use value 14 instead.
FTD	Frost danger (GS1 Temporary Code) The identified product is susceptible to frost.
HEA	Heavy cargo/150 kg and over per piece (GS1 Temporary Code) The identified product weighs more than 150 kg per piece.
HGA	Hanging garment (GS1 Temporary Code) The identified product(s) should be handled as a hanging garment. GS1 Note: Code marked for deletion. Use value 15 instead.
HWC	Handle with care (GS1 Temporary Code) Handle the identified product carefully.
LAB	Label (GS1 Temporary Code) The identified product is/are to be labelled. GS1 Note: Code marked for deletion. Use value 16 instead.
LYG	Lying (GS1 Temporary Code) The identified product(s) should be kept in a lying position. GS1 Note: Code marked for deletion. Use value 17 instead.
MF	Multiple facings (GS1 Temporary Code) The item has multiple facings (views) for presentation in the shelf.

Used Codes

MOV	Move (GS1 Temporary Code) The identified product is to be moved according to instructions specified. GS1 Note: Code marked for deletion. Use value 18 instead.
NES	Nestable (GS1 Temporary Code) A package which can be stacked into similar package types e.g applies for dishes, plates, bowls or buckets.
NSD	Nesting depth (GS1 Temporary Code) The item can be stacked into into each other (e.g. plates, bowls or buckets). The nesting refers to the depth of the item's facing (main view).
NSH	Nesting height (GS1 Temporary Code) The item can be stacked into into each other (e.g. plates, bowls or buckets). The nesting refers to the height of the item's facing (main view).
NSW	Nesting width (GS1 Temporary Code) The item can be stacked into into each other (e.g. plates, bowls or buckets). The nesting refers to the width of the item's facing (main view).
NWP	Newspapers, magazines (GS1 Temporary Code) Code marked for deletion.
OHG	Overhang item (GS1 Temporary Code) The identified product is overhanging.
PAC	Pack (GS1 Temporary Code) The identified product is to be packed according to the instructions provided. GS1 Note: Code marked for deletion. Use value 19 instead.
PER	Perishable cargo (GS1 Temporary Code) Code marked for deletion.
PFS	Prepare for shipment (GS1 Temporary Code) The identified product(s) is(are) to be prepared for shipment. GS1 Note: Code marked for deletion. Use value 20 instead.
PIC	Pick (GS1 Temporary Temporary Code) The identified product is to be picked.
PKS	Pick in sequence (GS1 Temporary Code) The identified product is to be picked according to a specific sequence.
PSC	Pest controlling (GS1 Temporary Code) The identified product shall be protected from pests.
RCY	Recyclable packaging (GS1 Temporary Code) Code marked for deletion.
RES	Reserve (GS1 Temporary Code) Reserve identified goods according to specified instructions. GS1 Note: Code marked for deletion. Use value 21 instead.

Used Codes

RFG	Flammable compressed gas (GS1 Temporary Code) Code marked for deletion.
RFL	Flammable liquid (GS1 Temporary Code) Code marked for deletion.
RFS	Flammable solid (GS1 Temporary Code) Code marked for deletion.
RPB	Poison (GS1 Temporary Code) Code marked for deletion.
SLT	Sensitive to light (GS1 Temporary Code) The product is sensitive to light. GS1 Note: Code marked for deletion. Use value 22 instead.
SSN	Smell sensitive (GS1 Temporary Code) The identified product has a strong odour.
STR	Stacking restricted (GS1 Temporary Code) The identified product has limited stackability.
TRD	Transit or cross docking delivery (GS1 Temporary Code) The identified product is to be delivered via a transit or cross docking facility. GS1 Note: Code marked for deletion. Use value 23 instead.
UNP	Unpack (GS1 Temporary Code) The identified product is to be unpacked from the identified package. GS1 Note: Code marked for deletion. Use value 24 instead.
UPR	Upright/standing (GS1 Temporary Code) The identified product should be kept in an upright or standing position. GS1 Note: Code marked for deletion. Use value 25 instead.
UST	Unstackable (GS1 Temporary Code) The identified product is not stackable.
VAL	Valuable cargo (GS1 Temporary Code) The identified product is valuable cargo.
4183	Special condition code Code specifying a special condition.
109	Sale or return Item concerned may be returned to supplier or otherwise disposed of if it remains unsold after a pre-determined period of time.
66	Delivery without change of ownership (Concessions)
69	Supply for consignment
84	Supply of goods for warehousing for foreign account
90	Supply of good in, standard exchange given rise to payment

Used Codes

4221	Discrepancy nature identification code Code specifying the identification used to define the nature of a discrepancy.
AA	Item discontinued by wholesaler The wholesaler no longer offers the ordered product.
AB	Item no longer produced The item ordered has been discontinued and is no longer in production.
AC	Over-shipped Code indicating that there was an excess quantity of goods in a shipment relative to the order.
AD	Item out of stock at manufacturer The item is out of stock at manufacturer.
AE	Delivered but not advised Shipment or goods have been delivered without any advance notification of delivery.
AF	Goods delivered damaged Part or all of the goods in a shipment were delivered damaged.
AG	Delivered too late Delivered but at a later date than the delivery date under the agreed conditions or stipulated in the order.
AH	Next higher packaging quantity The ordered item has been, or is to be, packed to the next higher packaging quantity. GS1 Description: An indication from the buyer which allows the supplier to pack, if required, the ordered item to its next higher complete level of packaging.
AS	Available now - scheduled to ship (date) The material is available for shipment and is committed for shipment/delivery at a future date. GS1 Description: Back ordered product (product which has been ordered, was not delivered as scheduled but which the buyer still expects to receive at a later date) is now available and is scheduled for shipment on a specified date.
BK	Back ordered from previous order An order is being held as no material is available to fulfil the requirement. EDIFACT
BP	Shipment partial - back order to follow A portion of the previous order is being held as open, as enough material was not available to fulfil the requirement. GS1 Description: The shipment is incomplete, the missing quantities are to follow.

Used Codes

CC	<p>Shipment complete The quantity dispatched fulfilled the order quantity. GS1 Description: The shipment is complete.</p>
CE	<p>Shipment includes extra items to meet price break The quantity dispatched exceeds the order quantity to accommodate a quantity of scale price model opportunity. GS1 Description: An additional quantity to the quantity ordered has been added for special discounts.</p>
CK	<p>Cancelled from previous order Amount deleted from the earlier schedule. EDIFACT</p>
CM	<p>Shipment complete with additional quantity The quantity dispatched exceeds the ordered quantity. GS1 Description: The shipment is complete and includes an additional quantity.</p>
CN	<p>Next carrier, PVE - (date) Self explanatory. GS1 Description: Item will be shipped on the next available or scheduled carrier.</p>
CP	<p>Shipment partial - considered complete, no backorder The quantity shipped is less than the amount authorized and there is no plan to ship the remaining amount. GS1 Description: Shipment does not fulfil the complete order but should be considered complete. Unshipped items are not considered to be on backorder.</p>
CS	<p>Shipment complete with substitution The quantity and product shipped, though not exactly matching the original order, is compliant with and fulfils the expectation. GS1 Description: Shipment considered complete. One or more items in the order have been substituted by other items.</p>
IC	<p>Item cancelled The material previously ordered is no longer needed. GS1 Description: Item has been cancelled from the order by the buyer or supplier.</p>
IS	<p>Item represents substitution from original order The quantity and product shipped is compliant with the expectation. GS1 Description: Item substitutes another item originally ordered.</p>
OS	<p>Item out of stock because of strike of force majeure Item is not available due to strike or an unforeseeable event.</p>

Used Codes

OW	Item out of stock at wholesaler Item is not available at the distribution point.
PO	Purchase order inquiry - unshipped items only The response includes information concerning all of the articles that were not dispatched and included in the prior inquiry that had been requested by the contact initiator. EDIFACT
PP	Purchase order inquiry - specific items The response includes information concerning a unique sub-set of the total list of articles that the contract initiator had requested information on. EDIFACT
PS	In process - scheduled to ship (date) This amount is being manufactured in anticipation for a possible authorization for shipment. EDIFACT
RA	Item rationed Product is restricted because of limited availability. GS1 Description: Item has been rationed, ordered quantity exceeds rationed quantity.
TW	Item temporarily discontinued by wholesaler Product is, for the time being, not available from the distribution point. GS1 Description: The item has been temporarily removed from the product range of the wholesaler.
US	Pack to closest complete logistic packaging quantity Pack to the closest complete logistic packaging quantity. GS1 Description: An indication from the buyer which allows the supplier to pack, if required, the ordered item to its closest complete level of packaging.
UT	Pack to next lower complete logistic quantity Pack to the next lower complete logistic packaging quantity. GS1 Description: An indication from the buyer which allows the supplier to pack, if required, the ordered item to the next lowest complete logistics packaging.
4233	Marking instructions code Code specifying instructions for marking.
1	Do not mark supplier's company name Packaging should not be marked with supplier's company name.
2	Mark customer's company name Packaging should be marked with customer's company name.
3	Mark customer's references Packaging should be marked with customer's references.

Used Codes

4	Mark additionally customer's article description Packaging should also be marked with customer's article description.
5	Mark exclusively customer's article description Packaging should be marked with customer's article description only.
6	Mark packages dimensions Packaging should be marked with package's dimensions.
7	Mark net weight Packaging should be marked with net weight.
8	Mark gross weight Packaging should be marked with gross weight.
9	Mark tare weight Packaging should be marked with tare weight.
10	Mark batch number Packaging should be marked with batch number.
11	Mark article number customer Packaging should be marked with customer's article number.
12	Mark running number of packages Packaging should be marked with the running number of packages.
13	Mark date of production Packaging should be marked with the date of production.
14	Mark expiry date Packaging should be marked with the expiry date.
15	Mark supplier number Packaging should be marked with the supplier number.
16	Buyer's instructions Markings as specified by the buyer.
17	Supplier's instructions Markings as specified by the seller. GS1 Description: Markings as specified by the supplier.
18	Carrier's instructions Markings as specified by carrier.
19	Legal requirements Markings as specified by law.
20	Industry instructions Markings as specified by industry.

Used Codes

30	<p>Mark serial shipping container code</p> <p>Requests the marking of the serial shipping container code to the transport container or packaging.</p>
32	<p>Mark date of packaging</p> <p>Packaging must be marked with the packaging date. GS1 Note: Replaces GS1 Temporary Code 41E.</p>
33	<p>Mark reference to source entity</p> <p>Packaging must be marked with the reference to source entity. The reference to source identifies that the trade item was derived from.</p>
34	<p>Marked GS1 Global Individual Asset Identifier</p> <p>Indication that the GS1 Global Individual Asset Identifier has been marked on the package. GS1 Note: Replaces GS1 Temporary Code 42G.</p>
35	<p>Marked with a product serial number</p> <p>Indication that the product serial number has been marked on a package.</p>
38	<p>Marked price</p> <p>Indication that the price has been marked on a package. GS1 Note: Replaces GS1 Temporary Code 31E.</p>
39	<p>Marked with Serial Shipping Container Code (SSCC)</p> <p>Indication that the Serial Shipping Container Code has been marked on a package. GS1 Note: Replaces GS1 Temporary Code 33E.</p>
40	<p>Marked with first freezing date</p> <p>Indication that the first freezing date has been marked on the package. GS1 Note: Replaces GS1 Temporary Code 35E.</p>
41	<p>Marked with batch number</p> <p>Indication that the batch number has been marked on a package. GS1 Note: Replaces GS1 Temporary Code 36E.</p>
42	<p>Marked with production date</p> <p>Indication that the production date has been marked on a package. GS1 Note: Replaces GS1 Temporary Code 37E.</p>
43	<p>Marked with expiry date</p> <p>Indication that the expiry date has been marked on a package. GS1 Note: Replaces GS1 Temporary Code 38E.</p>
44	<p>Marked with best before date</p> <p>Indication that the best before date has been marked on a package. GS1 Note: Replaces GS1 Temporary Code 39E.</p>
45	<p>Marked net weight</p> <p>Indication that the net weight has been marked on a package. GS1 Note: Replaces GS1 Temporary Code 40E.</p>

Used Codes

46	<p>Marked with packaging date</p> <p>Indication that the packaging date has been marked on a package. GS1 Note: Replaces GS1 Temporary Code 41E.</p>
47	<p>Marked with GS1 Global Returnable Asset Identifier (GRAI)</p> <p>Indication that the GS1 Global Returnable Asset Identifier (GRAI) has been marked on the package. GS1 Note: Replaces GS1 Temporary Code 41G.</p>
48	<p>Marked with a greeting message</p> <p>Indication that the package has been marked with a greeting message. GS1 Note: Replaces GS1 Temporary Code X27.</p>
49	<p>Price per unit of measure marked on product</p> <p>The price per unit of measure is marked on trade item</p>
31E	<p>Mark price (GS1 Temporary Code)</p> <p>Coded instruction that the price be marked on a package. GS1 Note: Code marked for deletion. Use value 38 instead.</p>
32E	<p>Mark GS1 number (GS1 Temporary Code)</p> <p>Coded instruction that the GS1 number be marked on a package.</p>
33E	<p>Marked with serial shipping container code (GS1 Temporary Code)</p> <p>Indication that the serial shipping container code has been marked on a package. GS1 Note: Code marked for deletion. Use value 39 instead.</p>
34E	<p>Marked with GS1 number (GS1 Temporary Code)</p> <p>Indication that the GS1 number has been marked on a package.</p>
35E	<p>Marked with first freezing date (GS1 Temporary Code)</p> <p>Indication that the first freezing date has been marked on the package. GS1 Note: Code marked for deletion. Use value 40 instead.</p>
36E	<p>Marked with batch number (GS1 Temporary Code)</p> <p>Indication that the batch number has been marked on a package. GS1 Note: Code marked for deletion. Use value 41 instead.</p>
37E	<p>Marked with production/manufacturing date (GS1 Temporary Code)</p> <p>Indication that the production/manufacturing date has been marked on a package. GS1 Note: Code marked for deletion. Use value 42 instead.</p>
38E	<p>Marked with expiry date (GS1 Temporary Code)</p> <p>Indication that the expiry date has been marked on a package. GS1 Note: Code marked for deletion. Use value 43 instead.</p>
39E	<p>Marked with best before date (GS1 Temporary Code)</p> <p>Indication that the best before date has been marked on a package. GS1 Note: Code marked for deletion. Use value 44 instead.</p>

Used Codes

40E	Marked with unit net weight (GS1 Temporary Code) Indication that the net unit weight has been marked on a package. GS1 Note: Code marked for deletion. Use value 45 instead.
41E	Marked with packaging date (GS1 Temporary Code) Indication that the packaging date has been marked on a package. GS1 Note: Code marked for deletion. Use value 46 instead.
41G	Marked with GS1 Global Returnable Asset Identifier (GS1 Temporary Code) Indication that the GS1 Global Returnable Asset Identifier has been marked on the package. GS1 Note: Code marked for deletion. Use value 47 instead.
IEN	Package Identity Number (GS1 Temporary Code) Number uniquely identifying a package.
X26	Not marked with an GS1 code (GS1 Temporary Code) Indication that the package is not marked with an GS1 code.
X27	Marked with a greeting message (GS1 Temporary Code) Package should be marked with greeting message GS1 Note: Code marked for deletion. Use value 48 instead.
X28	GINC (GS1 Temporary Code) Global Identification Number for Consignment
X29	GSIN (GS1 Temporary Code) Global Shipment Identification Number
X3	Marked with use by date (GS1 Temporary Code) Indication that the use by date has been marked on a package.
4347	Product identifier code qualifier Code qualifying the product identifier.
1	Additional identification Information which specifies and qualifies product identifications.
3	Substituted by The given item number is the number of the product that substitutes another one.
5	Product identification The item number is for product identification.
4441	Free text value code Code specifying free form text.
78E	Proof Of Delivery (GS1 Permanent Code) The mentioned URL refers to a Proof of Delivery document. This Code value can be used if DE 4451 of the FTX segment is ZXL.
0	

Used Codes

- 1
- 2
- 3
- 4
- 5
- 6
- 7
- 8
- 9
- 10
- 11
- 12
- 13
- 14
- 15
- 16
- 17
- 18
- 19
- 20
- 21
- 22
- 23
- 24
- 25
- 26
- 27
- 28
- 29
- 30
- 31
- 32
- 33

Currently out of stock

Used Codes

34

36

37

38

39

40

41

42

43

44

45

46

47

48

49

50

51

52

53

54

55

56

57

58

59

60

61

62

63

64

65

66

67

Used Codes

68

69

70

71

72

73

74

75

76

77

78

79

80

81

82

83

84

85

86

87

88

89

90

91

92

93

94

95

96

97

98

99

ACN

Consignment order, no

Used Codes

ACY	Consignment order, yes
AF	Box Number
AFL	Tax-free export delivery The invoice refers to a tax-free export delivery.
AWV	Declaration for external sector statistics
BA	The issuer of the document is the goods/services providing company.
BE	The receiver of the document is the goods/services providing company.
BF	Butter fat Restriction of use: The butter/the intermediate product is subject to article, of VO(EG) Nr. 2571/97
BI	Barcode information
BKM	Adjustment of inventory quantity
CO2	CO2KostAufG Mandatory information according to § 3 para. 1 CO2KostAufG. If the tenant supplies himself with combustible, he has a claim for reimbursement against the landlord in accordance with § 6 para. 2 and § 8 para.2 CO2KostAufG.
DESADV	DESADV (fix value)
DUN	Do not record dues (supply only if immediately available)
DUY	Record dues (backorder if not immediately available)
EA	Lable type
EEV	The ownership is ours until full payment for goods.
FSN	Order not forwarded to publisher
FSY	Order forwarded to publisher
HA	Handling information
IGD	Intra-community triangular business
IGL	Tax free EU delivery Delivery within the EU comunity
INTRASTAT	Message to the Federal Statistical Office used to balance the actual merchandise traffic.
KA	Combined article (GS1_DE Code) Note on use of the simplification rule in case of combined articles.
KOR	Correction document
LES	The invoice contains items that are subject to the reverse charge procedure. In these cases, the beneficiary owes the VAT.
NACH-ORDER	Seasonal Repeat Order for continuous ordering and deliver
NE	Customer name

Used Codes

NOI	This document is no invoice or credit note by means of VAT law. The indicated VAT does not allow the deduction of input tax.
NOS-ORDER	The document relates to NOS (Never out of stock) articles, that are continuously reordered and replenished. (CRP)
OWN	Do not forward order to publisher
OWY	Forward order to publisher
PKN	Backorder until agreed order volume is reached, no
PKY	Backorder until agreed order volume is reached, yes
PT	Price text
PWN	Batch bonus, no
PWY	Batch bonus, yes
RN	Number of storage rack
RWN	Remittance, no
RWY	Remittance, yes
SE00	The price indicated is exempted from tax.
SE07	The reduced tax rate of 7% is valid for the price indicated.
SE19	The tax rate of 19% is valid for the price indicated.
ST1	Fee reduction applies, due to discount and bonus agreements.
ST2	Fee reduction applies, due to our current business terms.
ST3	Discount or bonus agreements apply.
TUN	Do not supply replacement article
TUY	Automatic supply of replacement article
UHR	Copyright fee
VEV	The ownership is ours until full payment of outstanding money. This is also true for resale or further processing.
VOR-ORDER	Seasonal Start Order for installation order conditions
WBM	Goods movement quantity
WEV	The ownership is ours until full payment of outstanding money.
ZRN	Central settlement, no
ZRY	Central settlement, yes
4451	Text subject code qualifier Code qualifying the subject of the text.
3E	Tracking URL (GS1 Temporary Code) The internet link (URL) to track the delivery of a specific package or consignment.

Used Codes

DEL	Delivery information Information about delivery.
PUR	Purchasing information Note contains purchasing information.
4453	Free text function code Code specifying the function of free text.
1	Text for subsequent use The occurrence of this text does not affect message processing.
5495	Sub-line indicator code Code indicating a sub-line item.
1	Sub-line information Code indicating a sub-line item.
6063	Quantity type code qualifier Code qualifying the type of quantity.
12	Despatch quantity Quantity despatched by the seller.
21	Ordered quantity The quantity which has been ordered.
192	Free goods quantity Quantity of goods which are free of charge.
45E	Number of units in higher packaging or configuration level (GS1 Temporary Code) The number of units contained in higher packaging or configuration level.
6069	Control total type code qualifier Code qualifying the type of control of hash total.
2	Number of line items in message Self-explanatory. GS1 Description: The total number of LIN segments in a message.
7	Total gross weight Code to indicate total gross weight of a consignment.
6311	Measurement purpose code qualifier Code qualifying the purpose of the measurement.

Used Codes

AAE	Measurement [6314] Value of the measured unit.
AAI	Item weight Weight at line item level.
ABW	Unit of measure used for invoiced quantities Unit of measure of invoiced quantity.
PD	Physical dimensions (product ordered) Specified measurement dimensions refer to physical dimensions of a product, material or package. GS1 Description: The restriction 'product ordered' can be ignored.
6313	Measured attribute code Code specifying the attribute measured.
A	Consolidated weight The measured consolidated weight.
AAA	Unit net weight GS1 Description: Weight (mass) of the goods without any packing.
AAB	Unit gross weight [6292] Weight (mass) of goods including packing but excluding the carrier's equipment.
AAC	Total net weight Total weight of goods excluding packaging. GS1 Description: "Total" in this code means the sum of the net weight of all items.
AAD	Total gross weight [6292] Weight (mass) of goods including packing but excluding the carrier's equipment. GS1 Description: "Total" in this code means the sum of the gross weight of all items.
AAJ	Number of units per pallet The number of units contained on a pallet. GS1 Description: An indication of the number of units on a loaded pallet. The value associated with this code is calculated by multiplying the number of units per layer by the number of layers on a pallet.
AAK	Fat content An indication of the fat content of a product.

Used Codes

AAL	<p>Net weight</p> <p>GS1 Description: Weight (mass) of goods excluding packaging.</p> <p>GS1 usage note: The field of implementation of this code is the area of transport and related activities such as the preparation of goods into consignments for shipping.</p>
AAO	<p>Humidity</p> <p>Self-explanatory.</p>
AAP	<p>Voltage</p> <p>Self-explanatory.</p>
AAQ	<p>Power consumption</p> <p>Value of energy consumption.</p>
AAR	<p>Heat dissipation</p> <p>Self-explanatory.</p>
AAU	<p>Operative temperature</p> <p>Temperature identified system or process works according to specifications.</p>
AAW	<p>Gross volume</p> <p>The observed volume unadjusted for factors such as temperature or gravity.</p> <p>GS1 Description: The usage of this code relates to the contents, e.g. gases or liquids that expand/contract under given circumstances.</p>
AAX	<p>Net volume</p> <p>The observed volume after adjustment for factors such as temperature or gravity.</p> <p>GS1 Description: The usage of this code relates to the contents, e.g. gases or liquids that expand/contract under given circumstances.</p>
AAZ	<p>Water content</p> <p>Water content in product.</p>
ABF	<p>Item width when unrolled</p> <p>The width of an item when unrolled.</p>
ABG	<p>Item length when unrolled</p> <p>The length of an item when unrolled.</p>
ABH	<p>Item area when unrolled</p> <p>The area occupied by an item when unrolled.</p>
ABI	<p>Original wort</p> <p>Measure of the malt and hops content of beer, before fermentation has taken place.</p>
ABJ	<p>Volume</p> <p>The amount of air space taken up by the entity identified in the 6311 qualifier.</p> <p>GS1 Description: The usage of this code relates to the cube of air that the package takes up.</p>

Used Codes

ABK	<p>Angle</p> <p>The angle of an object.</p> <p>EDIFACT</p>
ABL	<p>Peg hole horizontal distance from package leftmost edge</p> <p>Horizontal distance from the left most edge of the package to the center of the hole into which the peg is inserted.</p> <p>EDIFACT</p>
ABM	<p>Peg hole vertical distance from top</p> <p>Vertical distance from the top of the package to the top of the hole into which the peg is inserted.</p> <p>EDIFACT</p>
ABO	<p>Product strength, chemical</p> <p>The amount of the single active chemical ingredient within a product.</p> <p>EDIFACT</p>
ABP	<p>Product strength basis, chemical</p> <p>Amount of product used as the basis for the specification of the chemical product strenght.</p> <p>EDIFACT</p>
ABQ	<p>Percentage of alcohol (by volume)</p> <p>The percentage of alcohol contained in a liquid.</p>
ACG	<p>Chargeable weight</p> <p>The weight on which charges are based.</p>
ACN	<p>Estimated gross weight</p> <p>Estimated weight (mass) of goods, including packing and excluding carrier's.</p> <p>GS1 Description: Estimated gross weight (mass) of goods, including packing and excluding carrier's equipment.</p>
ACP	<p>Estimated volume</p> <p>Estimated size or measure of anything in three dimensions.</p> <p>GS1 Description: The usage of this code relates to the cube of air that the package takes up.</p>
ACV	<p>Loading meters</p> <p>The length in a vehicle, whereby the complete width and height over that length is needed for the goods.</p>
ADJ	<p>Surface (GS1 Temporary Code)</p> <p>A measurement in relation a surface.</p>
ADX	<p>Transport container actual filling weight</p> <p>Actual filling weight of a transport container.</p>
ADY	<p>Transport container maximum capacity</p> <p>Maximum capacity of a transport container.</p>

Used Codes

ADZ	<p>Declared net weight</p> <p>The declared net weight of a product or products used for invoicing, customs or transport purposes.</p> <p>GS1 Description: The field of implementation of this code is the area of transport and/or customs.</p>
AEA	<p>Loading height</p> <p>Maximum height of products or packages loaded onto a given transportation device or equipment such as a pallet.</p>
AEB	<p>Stacking height</p> <p>Maximum height up to which the same product or package may be placed one upon the other for storage purposes.</p>
AEI	<p>Drained weight</p> <p>The weight of a product when all liquids used in the packaging of the product have been removed.</p>
AEL	<p>Area</p> <p>Extent or measure of a surface.</p>
AEV	<p>Acidity of juice</p> <p>Acid measurement of juice.</p> <p>GS1 Description: Acid number of juice of fruit measured with pH = 8.2.</p>
AEW	<p>Penetrometry</p> <p>Measurement of force required to drive a standard penetrating stamp.</p>
AEX	<p>Durofel</p> <p>Measurement of the elastic force using a standard penetrating stamp.</p> <p>GS1 Description: Measure of the elastic force of the pulp of a fruit. This is measured with a penetrating stamp and expressed as a percentage.</p>
AEY	<p>Juice weight per 100 grams</p> <p>Measurement of weight of juice, based on 100 grams of the entire weight.</p> <p>GS1 Description: Weight of juice, based on 100 grams of the entire fruit, expressed as a percentage.</p>
AEZ	<p>Fruit skin colour</p> <p>Measurement of the colouring of the epidermis of a fruit.</p> <p>GS1 Description: Colouring of the epidermis of a fruit measured with comparators. It indicates the maturity of the fruit or its commercial quality.</p>

Used Codes

AFB	<p>Durofel D10</p> <p>Measure of the elastic force of the pulp of a fruit. It is measured with a penetrating stamp with diameter 10.</p> <p>GS1 Description: Measure of the elastic force of the pulp of a fruit. It is measured with a penetrating stamp with diameter 10. This measure is expressed as a percentage.</p>
AFC	<p>Durofel D25</p> <p>Measure of the elastic force of the pulp of a fruit. It is measured with a penetrating stamp with diameter 25.</p> <p>GS1 Description: Measure of the elastic force of the pulp of a fruit. It is measured with a penetrating stamp with diameter 25. This measure is expressed as a percentage.</p>
AFD	<p>Durofel D50</p> <p>Measure of the elastic force of the pulp of a fruit. It is measured with a penetrating stamp with diameter 50.</p> <p>GS1 Description: Measure of the elastic force of the pulp of a fruit. It is measured with a penetrating stamp with diameter 50. This measure is expressed as a percentage.</p>
AFE	<p>Maximum stacking weight</p> <p>The maximum weight which may be stacked upon a product or package without the product or packaging being crushed.</p>
AFF	<p>Gross measure cube</p> <p>The total cubic space occupied by an item, taking into account any protruding components, arrived at by multiplying the maximum length, width and height.</p>
AFG	<p>Percentage fat content in dry matter</p> <p>The percentage of fat content in dry matter.</p>
AFH	<p>Saccharometric content</p> <p>Measurement of the sugar content of a solution.</p> <p>EDIFACT</p>
AFI	<p>Hydrate content of an alcoholic product after bottling</p> <p>The hydrate content which occurs in an alcoholic product after bottling.</p>
AFJ	<p>Anhydrous content</p> <p>The non-water content.</p> <p>GS1 Description: Anydrous content of an alcoholic product.</p>
AFT	<p>Colour depth</p> <p>The number of distinct colours represented, e.g. in an image or in a display.</p>
AFU	<p>Colour depth, maximum</p> <p>The maximum number of distinct colours that can be represented, e.g. in an image or in a display.</p>

Used Codes

AFV	Image resolution The level of detail of an image.
AFW	Device resolution, maximum The maximum level of detail produced by a device.
AFX	Acoustic absorption coefficient The portion of sound energy a surface absorbs, measured at different frequencies.
BNU	Peg hole number Used to identify the peg hole if more than one hole is present in the product or packaging.
BNV	Number of inner packs Indicates the number of non coded physical groupings (inner packs) of next lower level trade items within the current trade item level.
BNW	Number of next level trade items within inner pack The number of next lower level trade items contained within the physical non-coded grouping (inner pack).
BNX	Number of trade items per pallet layer The number of trade items contained on a single layer of a pallet.
BNY	Packed items layer Height The height of a single layer of packed items.
BNZ	Packing material weight, skin tight covering The weight measurement of the packing material used for skin tight covering (e.g. when packaging prepared meats, poultry, cheese, and other food products).
BRB	Components labelled for recycling percentage Percentage of trade item components that clearly label how to facilitate product disassembly and recycling.
BRC	Renewable plastic components percentage, by net weight The percentage of the plastic components only made from rapidly renewable plant-based material by net weight of product.
BRD	Clamp pressure, required The pressure that should be applied by a clamp.
BUP	Number of base units per pallet (GS1 Temporary Code) The number of base units contained in a pallet.
CF1	Colony forming Unit (GS1 Temporary Code) Micro-organism colonies that are to be counted under determined conditions.
CT	Contents of package In combination with the other data elements of the actual segment this code indicates the measured content of a package.

Used Codes

DBX	Degree BRIX (GS1 Temporary Code) The rate of sugar.
DI	Diameter Diameter of an article.
DLL	Diluted liquid (GS1 Temporary Code) The volume of liquid which results after a dilution agent has been added, e.g. undiluted orange juice of 200ml, after dilution with water the volume of diluted liquid equals 1 litre.
DN	Density The measured density.
DP	Depth The measured depth.
ENE	Energy efficiency (GS1 Temporary Code) A measurement of the energy efficiency of an article.
G	Gross weight [6292] Weight (mass) of goods including packing but excluding the carrier's equipment. GS1 Description: The field of implementation of this code is the area of transport and related activities such as the preparation of goods into consignments for shipping.
HT	Height dimension Numeric value of height.
HYE	Hydrate content (GS1 Temporary Code) Hydrate content of an alcoholic product.
ID	Inside diameter The measured inside diameter. GS1 Description: A measurement of the inside diameter of a roll, tube, pipe, or circle.
LAY	Number of layers (GS1 Temporary Code) Number of layers of a product or products within a package, container, pallet, etc. GS1 Description: Number of layers of a product or products within a package, container, pallet, etc.
LN	Length dimension (6168) Length of pieces or packages stated for transport purposes.
MDM	Maximum demand (GS1 Temporary Code) The highest demand recorded during the period of recording of usage of the supply.
NPL	Number of layers per pallet (GS1 Temporary Code) The number of layers per pallet.

Used Codes

NPP	Number of pallet places (GS1 Temporary Code) The number of pallet places needed to store or transport pallets (can be stacked).
OD	Outside diameter The measured outside diameter. GS1 Description: A measurement of the outside diameter of a roll, tube, pipe, or circle.
PMC	Package net measurement cube (GS1 Temporary Code) An indication of the net cubed measurement of a package.
PWF	Power factor (GS1 Temporary Code) The ration of the power dissipated (active power in kW) to the total power (which is the product of the input volts times amps given in kVa). When equipment which uses reactive power is being operated the power factor will be less than one.
RA	Relative humidity The measured relative humidity.
RJ	Rockwell C Hardness in the Rockwell C scale.
SF	Stacking factor excluding bottom item (GS1 Temporary Code) Maximum number of items stackable upon each other, excluding the bottom item.
SPG	Specific gravity (GS1 Temporary Code) The measured specific gravity.
SSZ	Step size (GS1 Temporary Code) An indication of measurements in which options contained within a Customer Specific Article are available, e.g. 10 metre planks of wood may be sold in step sizes of 2 metres.
T	Tare weight Weight excluding goods and loose accessories.
TC	Temperature A measurement in relation to temperature.
TH	Thickness The measured thickness.
TN	Time period Measurement of a specific length of time.
UCO	Units per package (GS1 Temporary Code) The number of identified units per package.
ULY	Number of units per layer (GS1 Temporary Code) Number of units of a product or package within one layer of a package, container, pallet, etc.

Used Codes

WD	Width dimension Numeric value of width.
WRM	Weight per running metre (GS1 Temporary Code) A code used to indicate the weight per running metre of floor coverings over floor area.
WSM	Weight per square metre (GS1 Temporary Code) A code used to indicate the weight per square metre of floor coverings over floor area.
X01	Acidity of meat (1 hour after slaughtering) The meat's acid quality or condition expressed as a pH value measured 1 hour after slaughtering.
X02	Acidity of meat (12 hours after slaughtering) The meat's acid quality or condition expressed as a pH value measured 12 hours after slaughtering.
X03	Acidity of meat (24 hours after slaughtering) The meat's acid quality or condition expressed as a pH value measured 24 hours after slaughtering.
X04	Acidity of meat (36 hour(s) after slaughtering) The meat's acid quality or condition expressed as a pH value measured 36 hours after slaughtering.
X05	Acidity of meat (48 hour(s) after slaughtering) The meat's acid quality or condition expressed as a pH value measured 48 hours after slaughtering.
X13	Acidity of meat (GS1 Temporary Code) The meat's acid quality or condition expressed as a pH value.
X16	Slaughtering weight (GS1 Temporary Code) Warm weight after slaughter
X17	Stacking factor including bottom item (GS1 Temporary Code) Maximum number of items stackable upon each other, including the bottom item.
X1E	Number of units in the width of a layer (GS1 Temporary Code) Number of units of a product or package which make up the width of a layer in a package, container, pallet, etc.
X2E	Number of units in the depth of a layer (GS1 Temporary Code) Number of units of a product or package which make up the depth of a layer in a package, container, pallet, etc.
X6E	Nestable percentage (GS1 Temporary Code) Extent expressed as a percentage to which an item can be nested within an identical item.

Used Codes

X7E	Gross weight including carrier's equipment (GS1 Temporary Code) Weight (mass) of goods including packaging and the carrier's equipment. In this context 'carrier's equipment' means any material resources necessary to facilitate the transport and handling of the goods without having the ability to move by its own propulsion, e.g. pallet, container, etc. GS1 usage Note The field of implementation of this code is the area of transport and related activities such as the preparation of goods into consignments for shipping.
ZWA	Waste content The measured waste content.
6411	Measurement unit code Code specifying the unit of measurement. Notes: 1. Recommend use UN/ECE Recommendation 20, Common code.
001	Barrel (205 litres, 45 gallons) (GS1 Temporary Code) A unit of liquids equivalent to 205 litres or 45 gallons.
23	gram per cubic centimetre GS1 Description: g/cm ³ as a unit of measure for the density of gas. This is necessary for dangerous substance articles for determination of the quantities that can be stored together on the shelf.
25	gram per square centimetre GS1 Description: A measure of weight in terms of gram per square centimetre.
28	kilogram per square metre GS1 Description: Unit of measure expressed in kilogram per square metre.
37	ounce per square foot
59	part per million
64	Pound per square inch, gauge A unit of measure expressed in pound per square inch
2N	decibel
2X	metre per minute GS1 Description: A measure of speed in terms of metres per minute.
4K	milliampere
4L	megabyte GS1 Description: A unit of computer memory equal to 1.048.576 (i.e. 2 power 20) bytes.

Used Codes

40	microfarad GS1 Description: One millionth of a farad. A farad is the capacitance of a capacitor between the plates of which a potential of 1 volt is created by a charge of 1 Coulomb.
4P	newton per metre
A25	cheval vapeur
A86	gigahertz GS1 Description: Hertz multiplied by 10 ⁹ .
A99	Bit A unit of information equal to one binary digit.
ACR	acre GS1 Description: Acre (4840 yd ²)
AD	byte GS1 Description: A unit of information stored in a computer, equal to eight bits.
AMH	ampere hour GS1 Description: Ampere-hour (3,6kC)
AMP	ampere
AMT	amount
ANN	year GS1 Description: The expression of a year as a measure unit.
APZ	Troy ounce or apothecary ounce EDIFACT
ASM	alcoholic strength by mass GS1 Description: Alcoholic strength expressed by mass.
ASU	alcoholic strength by volume GS1 Description: Alcoholic strength expressed by volume.
AV	capsule GS1 Description: Encapsuled dosage form for pharmaceuticals.
B13	Joule per square metre A unit of measure of heat energy expressed in joule per square metre.
B17	Credit A unit of count defining the number of entries made to the credit side of an account.

Used Codes

BAR	bar GS1 Description: A unit of measure equal to 106 dines per square centimeter.
BTU	British thermal unit GS1 Description: British thermal unit (1,055 kilojoules)
C0	call GS1 Description: Unit of measure for telephone calls. Code value is C0 (C Zero).
C60	ohm centimetre GS1 Description: Unit of measure expressed in Ohm centimetre.
C79	Kilovolt Ampere Hour A unit of accumulated energy of 1000 volt amperes over a period of one hour. EDIFACT
CDL	candela GS1 Description: Unit of measure of light intensity.
CEL	degree celsius
CF2	Colony forming unit per gram (GS1 Temporary Code) Colony forming units per gram is a unit of measure for micro-organisms, such as bacteria, in a food item. Micro-organisms form colonies that are be counted under determined conditions
CLT	centilitre GS1 Description: A unit of volume equal to one hundredth of a liter.
CMK	square centimetre
CMQ	cubic centimetre GS1 Description: A system of units for the measurement of volume based on the cubic centimetre.
CMT	centimetre
D19	Square metre kelvin per watt Unit of measure of thermal insulance expressed in square metre kelvin per watt.
D21	square metre per kilogram GS1 Description: Unit of measure expressed in square metre per kilogram.
D32	Terawatt hour A unit of measure expressed in terawatt hour
D5	Kilogram per square centimetre A unit of measure expressed in kilogram per square centimetre

Used Codes

D55	Watt per square metre kelvin Unit of measure of thermal conductance expressed in watt per square metre kelvin.
D68	Number of Words A unit of count defining the number of words. EDIFACT
DAY	day GS1 Description: The expression of a day as a measure unit.
DD	degree GS1 Description: Unit of measure of temperature.
DMQ	cubic decimetre GS1 Description: Unit of measure expressed in cubic decimetre.
DMT	decimetre
DRG	Dragée (GS1 Temporary Code) Number of dragées (coated tablets) contained in the item's package as a measurement unit.
DZN	dozen GS1 Description: A unit of measure of 12 or group of 12.
E09	Milliampere hour A unit of power load delivered at the rate of one thousandth of an ampere over a period of one hour. EDIFACT
E10	Degree day A unit of measure used in meteorology and engineering to measure the demand for heating or cooling over a given period of days. EDIFACT
E11	Gigacalorie A unit of heat energy equal to one thousand million calories. EDIFACT
E27	Dose A unit of count defining the number of doses (dose: a definite quantity of a medicine or drug). EDIFACT
E31	Square metre per litre A unit of count defining the number of square metres per litre. EDIFACT
E32	Litre per hour A unit of count defining the number of litres per hour. EDIFACT

Used Codes

E34	Gigabyte A unit of information equal to 10 E9 bytes.
E37	Pixel A unit of count defining the number of pixels (pixel: picture element).
E38	Megapixel A unit of count equal to 10 E6 (1000000) pixels (picture elements).
E39	Dots per inch A unit of information defining the number of dots per linear inch as a measure of the resolution or sharpness of an image. GS1 Description: synonym: pixels per inch.
EA	each
EV	envelope GS1 Description: A unit of measure pertaining to the number of envelopes.
FAH	degree Fahrenheit
FOT	foot GS1 Description: Foot (0,3048 m)
FP	Pound per square foot A unit of measure expressed in pound per square foot
FTK	Square foot A unit of measure expressed in square foot
FTQ	cubic foot
GL	gram per litre
GLI	gallon (UK) GS1 Description: Gallon (4,546092 dm ³)
GM	gram per square metre GS1 Description: Unit of measure of grams per square metre.
GRM	gram
GRO	gross GS1 Description: A unit of measure of 12 dozens.
GV	gigajoule
GWH	gigawatt hour GS1 Description: Gigawatt-hour (1 million kW/h)

Used Codes

H87	Piece A unit of count defining the number of pieces (piece: a single item, article or exemplar). EDIFACT
HLT	hectolitre
HMT	hectometre A unit of linear measure equal to 10 E2 metres.
HTZ	hertz GS1 Description: One cycle per second.
HUR	hour
INH	inch GS1 Description: Inch (25,4 mm)
INK	Square inch A unit of measure expressed in square inch
JM	Megajoule per cubic metre EDIFACT
JOU	joule
K51	Kilocalorie (mean) EDIFACT
KB	kilocharacter
KBA	kilobar
KEL	kelvin
KGM	kilogram
KHZ	kilohertz
KJO	kilojoule
KL	kilogram per metre GS1 Description: A measure of weight in terms of kilogram per metre.
KMH	kilometre per hour GS1 Description: A unit of measure expressed in kilometre per hour.
KMQ	kilogram per cubic metre GS1 Description: A measure of weight in terms of kilogram per cubic metre.
KMT	kilometre
KPA	kilopascal GS1 Description: Unit of measure expressed in kilopascal.

Used Codes

KVA	kilovolt - ampere GS1 Description: A unit of electric power.
KVT	kilovolt
KWH	kilowatt hour
KWT	kilowatt
L2	litre per minute GS1 Description: Unit of measure expressed in litre per minute.
LBR	Pound EDIFACT
LD	Litre per day A unit of measure defining the number of litres per day.
LNE	Printed line count (GS1 Temporary Code) The indication of the count of printed lines included on a paper communication (e.g. telegram) for invoicing purposes.
LTR	litre GS1 Description: Litre (1 dm ³)
LUX	lux GS1 Description: Unit of measure of illumination (it corresponds to the illumination of a surface which normally and uniformly receives a light flow of 1 lumen per square meter).
M4	Monetary value A unit of measure expressed as a monetary amount. EDIFACT
MAL	mega litre
MAW	megawatt
MC	microgram One millionth of a gram.
MCU	millicurie GS1 Description: Unit of measure for radioactivity.
MGM	milligram
MHZ	megahertz
MIN	minute
MLT	millilitre
MMK	square millimetre GS1 Description: A unit to measure a surface equal to one millionth of a quadrate.

Used Codes

MMQ	cubic millimetre GS1 Description: A unit of measure expressed in cubic milimetres.
MMT	millimetre
MON	month GS1 Description: The expression of a month as a measure unit.
MPA	megapascal GS1 Description: A unit of measure expressed in Megapascal.
MQH	Cubic metre per hour A unit of measure defining the number of cubic metres per hour.
MTK	square metre
MTQ	cubic metre
MTR	metre
MTS	Metre per second A unit of speed expressed in metres per second.
MWH	megawatt hour (1000 kW.h)
NAR	number of articles
NEW	newton GS1 Description: The SI unit of force, equal to the force that would give a mass of one kilogram an acceleration of one metre per second.
NIU	number of international units A unit of count defining the number of international units.
NRL	number of rolls
ONZ	ounce GS1 Description: Ounce GB, US (28,349523 g)
OZA	fluid ounce (US) GS1 Description: Fluid ounce US (29,5735 cm ³)
OZI	fluid ounce (UK) GS1 Description: Fluid ounce UK (28,413 cm ³)
P1	percent GS1 Description: This code is used to indicate measurements in terms of percentages, e.g. the relative humidity (code RA in data element 6313) is 52%.
PA	packet

Used Codes

PAL	pascal GS1 Description: The SI unit of pressure, equal to one Newton per square metre.
PCE	Piece (GS1 Temporary Code) GS1 Note: Old code value. Use value H87 instead.
PF	pallet (lift) GS1 Description: A number of articles expressed in terms of pallets.
PR	pair GS1 Description: Two articles which belong together but are not necessarily identical.
PTI	pint (UK) GS1 Description: Pint UK (0,568262 dm3)
PTN	Portion (GS1 Temporary Code) The identification of the number of portions (doses in medical terms) into which a complete product may be broken into for serving purposes, e.g. a pie with 6 portions, a liquid medicine with 20 doses.
QAN	quarter (of a year)
QTI	quart (UK) GS1 Description: Quart UK (1,1136523 dm3)
RJH	Decanewton (GS1 Temporary Code) A unit of force equal to 10 Newton.
RPM	revolutions per minute
RTO	Ratio (GS1 Temporary Code) The measured value is a ratio.
SEC	second
SMI	Mile (statute mile) A unit of measure expressed in mile
ST	sheet
TNE	tonne (metric ton) GS1 Description: Metric ton (1000kg)
U2	tablet A unit of count defining the number of tablets (tablet: a small flat or compressed solid object). GS1 Description: Dosage form for pharmaceuticals, pressed or compacted from a powder into a solid dose.
UI	Unit of activity, predefined (GS1 Temporary Code) A measure pertaining to a predefined activity.

Used Codes

VI	vial GS1 Description: Small glass container. E.g. for a liquid medicine or perfume.
VLT	volt
WHR	watt hour
WTT	watt
YDK	Square yard A unit of measure expressed in square yard
YRD	yard GS1 Description: Yard (0,9144 m)
ZP	page GS1 Description: The indication of a page as a measurement unit for invoicing purposes, e.g. fax pages.
7009	Item description code Code specifying an item.
ACA	ABC Method - Classification A (GS1 Permanent Code) Activity based on costing classification method A.
ACB	ABC Method - Classification B (GS1 Permanent Code) Activity based on costing classification method B.
ACC	ABC Method - Classification C (GS1 Permanent Code) Activity based on costing classification method C.
AUT	Autumn (GS1 Permanent Code) Autumn season.
BA	Base article (GS1 Permanent Code) A conceptual article identified for the purposes of ordering Customer Specific Articles. Base articles must always have configurations of options associated with them.
BLK	Bulk consumer unit (GS1 Permanent Code) The item is designed as a bulk consumer unit, i.e. to be sold mainly to hotels, restaurants, caterers, hospitals etc.
BU	Base unit (GS1 Permanent Code) The lowest level packaged unit for a given product, which may or may not be the consumer unit.
CA	Case (GS1 Permanent Code) A standard trade item shipping unit.

Used Codes

CIT	Collateral Item (GS1 Permanent Code) A trade item delivered from a manufacturer to the retail selling floor that is not considered inventory and has no retail value.
CMP	Composition (GS1 Permanent Code) The item is included in a dynamic assortment.
CSF	Display material (GS1 Permanent Code) A shopping unit that is a display.
CSG	Full display stand (GS1 Permanent Code) A trade item given to a consumer as part of a promotional event on another item or items.
CTO	Cut to order (GS1 Permanent Code) A unit load that is a "display ready pallet" and is intended to go directly to the selling floor.
CU	Consumer unit (GS1 Permanent Code) A group of trade items (the same or different) that are intended to be sold as a single consumer unit at the Point-of-Sale.
D	Available all the year round (GS1 Permanent Code) A unit load that could contain multiple packages.
DAS	Dynamic Assortment (GS1 Permanent Code) The item is included in a dynamic assortment.
DF	Default (GS1 Permanent Code) A logistical unit or a consumer unit between a case and a each.
DIC	Discount coupon (GS1 Permanent Code) A coupon that entitles to a discount.
DSP	Display shipper (GS1 Permanent Code) A shopping unit that is a display.
DST	Display stand (GS1 Permanent Code) A trade item given to a consumer as part of a promotional event on another item or items.
DU	Despatch unit (GS1 Permanent Code) The package size of a product or products which may be shipped when fulfilling an order.
ETO	Engineer to Order (GS1 Permanent Code) Engineer to Order includes products that are designed, developed and manufactured in response to a specific customer request.
F01	Caught (GS1 Permanent Code) Caught at sea
F02	Caught in freshwater (GS1 Permanent Code) Caught in freshwater

Used Codes

F03	Farmed (GS1 Permanent Code) Farmed
F04	Cultivated (GS1 Permanent Code) Cultivated
FEM	Female (GS1 Permanent Code) Female gender.
FS	Available in spring-summer (GS1 Permanent Code) The product is available in the spring-summer period.
FZ1	Previously frozen (GS1 Permanent Code) Previously frozen
FZ2	Not previously frozen (GS1 Permanent Code) Not previously frozen
GWP	Gift with purchase (GS1 Permanent Code) A trade item given to a consumer as part of a promotional event on another item or items.
HN	Handling unit (GS1 Permanent Code) The package size of a product which will be used when transporting and storing the product.
HW	Available in autumn-winter (GS1 Permanent Code) The product is available in the autumn-winter period.
IF1	IF <> THEN <> ENDIF (GS1 Permanent Code) E.G., IF <customer chooses node number 1332> THEN <action (taken from DE 1229 of LIN) to node number 1773> ENDIF.
IF2	IF NOT <> THEN <> ENDIF (GS1 CPermanent ode) E.G., IF NOT <customer does not choose node number 1332> THEN <action (taken from DE 1229 of LIN) to node number 1773> ENDIF.
IF3	IF <> AND (GS1 Permanent Code) E.G., IF <customer chooses node number 1332> AND (followed by another repeat of IMD with another rule).
IF4	IF NOT <> AND (GS1 Permanent Code) E.G., IF NOT <customer does not choose node number 1332> AND (followed by another repeat of IMD with another rule).
IF5	IF <> OR (GS1 Permanent Code) E.G., IF <customer chooses node number 1332> OR (followed by another repeat of IMD with another rule).
IF6	IF NOT <> OR (GS1 Permanent Code) E.G., IF NOT <customer does not choose node number 1332> OR (followed by another repeat of IMD with another rule).

Used Codes

IF7	IF <> XOR (GS1 Permanent Code) E.G., IF <customer chooses node number 1332> XOR (followed by another repeat of IMD with another rule).
IF8	IF NOT <> XOR (GS1 Permanent Code) E.G., IF NOT <customer does not choose node number 1332> XOR (followed by another repeat of IMD with another rule).
IN	Invoicing unit (GS1 Permanent Code) The package size of a product or products which will be used as the unit on which the buyer is invoiced.
IT	Intermediate unit (GS1 Permanent Code) A package size of a product or products falling in between two predefined package sizes.
MA	Mandatory (GS1 Permanent Code) An option of a Customer Specific Article which is mandatory in the configuration of the base article, e.g. it is mandatory to have legs when ordering a CSA table.
MAL	Male (GS1 Permanent Code) Male gender.
MM	Mixed module (GS1 Permanent Code) A unit load that is a "display ready pallet" and is intended to go directly to the selling floor.
MOD	Model (GS1 Permanent Code) The identification of an article as a high level model of a product, e.g. spring fashions.
MP	Multipack (GS1 Permanent Code) A group of trade items (the same or different) that are intended to be sold as a single consumer unit at the Point-of-Sale.
MTO	Make to Order (GS1 Permanent Code) A Make to Order environment is one in which products are completed after receipt of a customer order and are built or configured only in response to a customer order.
MTS	Make to Stock (GS1 Permanent Code) Make to Stock products are intended to be shipped from finished goods or 'off the shelf', are completed prior to receipt of a customer order, and are generally produced in accordance with sales forecasts.
NAR	Next Article (GS1 Permanent Code) An indication that what follows is a set of linked articles, a certain number of these linked articles should be chosen.
NBU	Not a base unit (GS1 Permanent Code) Not the lowest level packaged unit for a given product, which may or may not be the consumer unit.

Used Codes

NCU	Not a consumer unit (GS1 Permanent Code) The current base item or packaging item is not a consumer unit, i.e. is not a pre-packaging that is intended and labelled or marked for consumers according to legal requirements.
ND	Non divisible item (GS1 Permanent Code) The item is not divisible.
NDU	Not a despatch unit (GS1 Permanent Code) The current base item or packaging item is not a regular logistical despatch unit, i.e. it is as a rule only delivered as many within a further repackaging, and not as an individual logistics item.
NFR	Not For Resale (GS1 Permanent Code) Item is not for resale to consumer.
NIN	Not an invoicing unit (GS1 Permanent Code) The current base item or packaging item is not an invoicing unit of the data supplier, i.e. cannot be invoiced individually but only as one of many in a repackaging or transport packaging item.
NLK	Not a bulk consumer unit (GS1 Permanent Code) The item is not designed as a bulk consumer unit, i.e. to be sold mainly to hotels, restaurants, caterers, hospitals etc.
NO	Not an ordering unit (GS1 Permanent Code) A package size of a product or products which may not be ordered.
NOS	Yes, NOS item (GS1 Permanent Code) The current item is an NOS (Never out of stock) article, that is continuously reordered and replenished.
NOT	Not, not an NOS item (GS1 Permanent Code) The current item is not an NOS (Never out of stock) article, therefore is not continuously reordered and replenished.
NOV	Next option value (GS1 Permanent Code) An indication that what follows is a set of linked option values, next option values, or parameters.
NPC	Reusable container, but not standardized by a pool cooperative (GS1 Permanent Code) Reusable container that is not standardized by a pool cooperative.
NRC	Non-returnable container (GS1 Permanent Code) The current product is not traditionally a traded product and does not need to be returned to the sender.
NRE	Not a retail product (GS1 Permanent Code) The current item is not meant for retail sale, but only for sale to hotels, restaurants and catering.
NS	Not smallest unit (GS1 Permanent Code) Not the smallest unit for a given product.

Used Codes

NSU	Non-standard unit (GS1 Permanent Code) Products grouped together to fulfil specific ordering needs and not generally available.
NVQ	Not a variable quantity product (GS1 Permanent Code) The current item is a variable weight trade item, for which the weight and the quantity is determined only by the buyer.
OP	Option (GS1 Permanent Code) An option within a Customer Specific Article which does not exist on its own, e.g. colour, and which has discrete values.
OPL	Overall product level (GS1 Permanent Code) An overall level whereby many products are grouped on the basis of their composition, application and characteristics (e.g. Coca Cola with no size, packaging, price, etc, specified).
OPV	Option value (GS1 Permanent Code) The result of a choice of an option. The option value will be the lowest level of a branch beneath an option structure.
ORU	Ordering unit (GS1 Permanent Code) Indication that the current product is an ordering unit (ordering unit will not normally equal invoicing unit).
PA	Numeric parameter (GS1 Permanent Code) An option of a Customer Specific Article which has a continuous numeric value, e.g., measurement of the length of a chair leg between 60cms and 80cms.
PAA	Alpha-numeric parameter (GS1 Permanent Code) An option of a Customer Specific Article which has a continuous alpha-numeric value, e.g., words and numbers to be embroidered into a cushion cover.
PAD	Promotional article description (GS1 Permanent Code) Description of a promotional article.
PAL	Pallet (GS1 Permanent Code) A unit load that could contain multiple packages.
PAS	Prepack assortment (GS1 Permanent Code) Contains multiple components, each of which represents a unique consumer unit item.
PIP	Packer or inner pack (GS1 Permanent Code) A logistical unit or a consumer unit between a case and a each.
PPK	Prepack (GS1 Permanent Code) Contains multiple components, each of which represents a unique consumer unit item.
PR1	Bonus Pack (GS1 Permanent Code) The free quantity promotional trade item contains free additional quantities. The additional quantity is written on the package as free.

Used Codes

PR2	<p>Free components (GS1 Permanent Code)</p> <p>It contains free included components or material. The price is lower since the trade item includes a part of its content free. The free quantity is written on the package.</p>
PR3	<p>Free quantity (GS1 Permanent Code)</p> <p>It contains free quantity, a "special offer" sticker on the package indicates the promotional offer but the free quantity is not written on the package. If the free quantity promotional offer results in a change of GTIN and the quantity of product is the same as the standard trade item, it qualifies as a free quantity promotional trade item. The linkage has to be provided.</p>
PR4	<p>Multi-pack and combination pack (GS1 Permanent Code)</p> <p>It is a promotional grouping with included free quantity. The grouping is created for promotional activities only. In the grouping a part of the quantity is free.</p>
PRO	<p>Programme (GS1 Permanent Code)</p> <p>A programme within a Customer Specific Article which does not exist on its own.</p>
PWP	<p>Purchase with purchase (GS1 Permanent Code)</p> <p>A trade item sold to a consumer at a special price as part of a promotional event, contingent on the consumer purchasing another item or items.</p>
RC	<p>Returnable container (GS1 Permanent Code)</p> <p>The current product is not traditionally a traded product but one which should be returned according to separate instructions.</p>
RD	<p>Refundable deposit item (GS1 Permanent Code)</p> <p>Item is subject to a refundable deposit.</p>
RE	<p>Retail product (GS1 Permanent Code)</p> <p>The current item is meant for retail sale only, and not for sale to hotels, restaurants and catering.</p>
RPC	<p>Reusable pool container (GS1 Permanent Code)</p> <p>Reusable container standardized by a pool cooperative.</p>
SER	<p>Service (GS1 Permanent Code)</p> <p>A code identifying the current item as a service (i.e. not a physical product).</p>
SG	<p>Standard group of products (mixed assortment) (GS1 Permanent Code)</p> <p>A standard package containing different products enabling the package to be ordered, delivered and invoiced.</p>
SMR	<p>Summer (GS1 Permanent Code)</p> <p>Summer season.</p>
SPK	<p>Setpack (GS1 Permanent Code)</p> <p>Contains multiple components, each of which represents a unique consumer unit item.</p>

Used Codes

SPR	Spring (GS1 Permanent Code) Spring season.
SU	Smallest unit (GS1 Permanent Code) The smallest usable or tradeable size or unit for a given product.
TU	Traded unit (GS1 Permanent Code) The package size of a product or products which has been agreed by trading partners as the size which may be ordered, delivered and invoiced.
UNI	Unisex (GS1 Permanent Code) No gender.
VQ	Variable quantity product (GS1 Permanent Code) Product is used or traded in continuous rather than discrete quantities.
WNT	Winter (GS1 Permanent Code) Winter season.
XX1	Count (GS1 Permanent Code) The measure applied to price is count.
XX2	Area (GS1 Permanent Code) The measure applied to price is area.
XX3	Weight (GS1 Permanent Code) The measure applied to price is weight.
XX4	Volume (GS1 Permanent Code) The measure applied to price is volume.
XX5	Length (GS1 Permanent Code) The measure applied to price is length.
XX6	Loose (GS1 Permanent Code) A trade item which is without packaging at the retail level.
XX7	Pre-packed (GS1 Permanent Code) A variable-measure trade item which is provided with packaging that is assembled or produced by the supplier or by the retailer in advance of sale to the consumer.
XX8	Fixed discount coupon on item price (GS1 Permanent Code) A discount coupon that can be redeemed at the point of sale for a fixed amount when purchasing a specific item/brand/range.
XX9	Fixed discount coupon on purchase amount (GS1 Permanent Code) A discount coupon that can be redeemed at the point of sale for a fixed amount on the total amount of the purchase.
XY1	Percentage discount on item price (GS1 Permanent Code) A discount coupon that can be redeemed at the point of sale for a percentage of the specific item/brand/range value.

Used Codes

XY2	Percentage discount on purchase amount (GS1 Permanent Code) A discount coupon that can be redeemed at the point of sale for a percentage of the total amount of the purchase.
XY3	Meal voucher (GS1 Permanent Code) Fixed amount voucher that can be redeemed at foodservice industry.
XY4	Limited Edition (GS1 Permanent Code) A product with limited edition is restricted in the number of copies produced, although in fact the number may be very low or very high. A special edition implies there is extra material of some kind included.
XY5	One Shot Product (GS1 Permanent Code) The trading partners agree to supply/buy this product only once. Afterwards this product will not be supplied/bought any more.
XY6	Fee (GS1 Permanent Code) Code identify the GTIN of LIN segment as being fees.
XY7	Brokerage (GS1 Permanent Code) Code identify the GTIN of LIN segment as being brokerages.
XY8	Transport medium unit (GS1 Permanent Code) Code identify the position as a Transport Medium Unit (Pallet, Container, ...).
XY9	Counted measurand factor (GS1 Permanent Code) Factor for price calculation of energy products, e.g. gas, fuel.
XZ1	Standard condition conversion (GS1 Permanent Code) The ratio of a product volume (e.g. gas) in standard conditions to the volume in the operating state.
XZ2	Calorific value (GS1 Permanent Code) The calorific value of a fuel indicates the amount of heat generated by the combustion and subsequent cooling of the combustion gases at 25 degrees Celsius.
XZ3	Food contact allowed (GS1 Temporary Code) The trade item is allowed to have direct contact with food.
XZ4	Food contact not allowed (GS1 Temporary Code) The trade item is not allowed to have direct contact with food.
7065	Package type description code Code specifying the type of package. Notes: 1. Recommend use UN/ECE Recommendation No. 21 (also, see current volume of UNTDED).
43	Bag, super bulk

Used Codes

44	Bag, polybag A type of plastic bag, typically used to wrap promotional pieces, publications, product samples, and/or catalogues.
1A	Drum, steel
1B	Drum, aluminium
1D	Drum, plywood
1F	Container, flexible A packaging container of flexible construction.
1G	Drum, fibre
1W	Drum, wooden
2C	Barrel, wooden
3A	Jerrican, steel
3H	Jerrican, plastic
4A	Box, steel
4B	Box, aluminium
4C	Box, natural wood
4D	Box, plywood
4F	Box, reconstituted wood
4G	Box, fibreboard
4H	Box, plastic
5H	Bag, woven plastic
5L	Bag, textile
5M	Bag, paper
6H	Composite packaging, plastic receptacle
6P	Composite packaging, glass receptacle
7A	Case, car A type of portable container designed to store equipment for carriage in an automobile.
7B	Case, wooden A case made of wood for retaining substances or articles.
8A	Pallet, wooden A platform or open-ended box, made of wood, on which goods are retained for ease of mechanical handling during transport and storage.
8B	Crate, wooden A receptacle, made of wood, on which goods are retained for ease of mechanical handling during transport and storage.

Used Codes

8C	Bundle, wooden Loose or unpacked pieces of wood tied or wrapped together.
AA	Intermediate bulk container, rigid plastic
AB	Receptacle, fibre
AC	Receptacle, paper
AD	Receptacle, wooden
AE	Aerosol
AF	Pallet, modular, collars 80cms × 60cms
AG	Pallet, shrinkwrapped
AH	Pallet, 100cms × 110cms
AI	Clamshell
AJ	Cone
AL	Ball A spherical containment vessel for retaining substances or articles.
AM	Ampoule, non-protected
AP	Ampoule, protected
AT	Atomizer
AV	Capsule
B4	Belt A band use to retain multiple articles together.
BA	Barrel
BB	Bobbin
BC	Bottlecrate / bottlerack
BD	Board
BE	Bundle
BF	Balloon, non-protected
BG	Bag
BH	Bunch
BI	Bin
BJ	Bucket
BK	Basket
BL	Bale, compressed
BM	Basin
BN	Bale, non-compressed

Used Codes

BO	Bottle, non-protected, cylindrical
BP	Balloon, protected
BQ	Bottle, protected cylindrical
BR	Bar
BS	Bottle, non-protected, bulbous
BT	Bolt
BU	Butt
BV	Bottle, protected bulbous
BW	Box, for liquids
BX	Box
BY	Board, in bundle/bunch/truss
BZ	Bars, in bundle/bunch/truss
CA	Can, rectangular
CB	Crate, beer
CC	Churn
CD	Can, with handle and spout
CE	Creel
CF	Coffer
CG	Cage
CH	Chest
CI	Canister
CJ	Coffin
CK	Cask
CL	Coil
CM	Card
CN	Container, not otherwise specified as transport equipment
CO	Carboy, non-protected
CP	Carboy, protected
CQ	Cartridge
CR	Crate
CS	Case
CT	Carton
CU	Cup

Used Codes

CV	Cover
CW	Cage, roll
CX	Can, cylindrical
CY	Cylinder
CZ	Canvas
DA	Crate, multiple layer, plastic
DB	Crate, multiple layer, wooden
DC	Crate, multiple layer, cardboard
DG	Cage, Commonwealth Handling Equipment Pool (CHEP)
DH	Box, Commonwealth Handling Equipment Pool (CHEP), Eurobox
DI	Drum, iron
DJ	Demijohn, non-protected
DK	Crate, bulk, cardboard
DL	Crate, bulk, plastic
DM	Crate, bulk, wooden
DN	Dispenser
DP	Demijohn, protected
DR	Drum
DS	Tray, one layer no cover, plastic
DT	Tray, one layer no cover, wooden
DU	Tray, one layer no cover, polystyrene
DV	Tray, one layer no cover, cardboard
DW	Tray, two layers no cover, plastic tray
DX	Tray, two layers no cover, wooden
DY	Tray, two layers no cover, cardboard
EC	Bag, plastic
ED	Case, with pallet base
EE	Case, with pallet base, wooden
EF	Case, with pallet base, cardboard
EG	Case, with pallet base, plastic
EH	Case, with pallet base, metal
EI	Case, isothermic
EN	Envelope

Used Codes

FB	Flexibag A flexible containment bag made of plastic, typically for the transportation bulk non-hazardous cargoes using standard size shipping containers.
FC	Crate, fruit
FD	Crate, framed
FE	Flexitank A flexible containment tank made of plastic, typically for the transportation bulk non-hazardous cargoes using standard size shipping containers.
FI	Firkin
FL	Flask
FO	Footlocker
FP	Filmpack
FR	Frame
FT	Foodtainer
FW	Cart, flatbed Wheeled flat bedded device on which trays or other regular shaped items are packed for transportation purposes.
FX	Bag, flexible container
GB	Bottle, gas
GI	Girder
GL	Container, gallon A container with a capacity of one gallon.
GR	Receptacle, glass
GU	Tray, containing horizontally stacked flat items Tray containing flat items stacked on top of one another.
GY	Bag, gunny A sack made of gunny or burlap, used for transporting coarse commodities, such as grains, potatoes, and other agricultural products.
GZ	Girders, in bundle/bunch/truss
HA	Basket, with handle, plastic
HB	Basket, with handle, wooden
HC	Basket, with handle, cardboard
HG	Hogshead
HN	Hanger A purpose shaped device with a hook at the top for hanging items from a rail.
HR	Hamper

Used Codes

IA	Package, display, wooden
IB	Package, display, cardboard
IC	Package, display, plastic
ID	Package, display, metal
IE	Package, show
IF	Package, flow
IG	Package, paper wrapped
IH	Drum, plastic
IK	Package, cardboard, with bottle grip-holes
IL	Tray, rigid, lidded stackable (CEN TS 14482:2002) Lidded stackable rigid tray compliant with CEN TS 14482:2002.
IN	Ingot
IZ	Ingots, in bundle/bunch/truss
JB	Bag, jumbo A flexible containment bag, widely used for storage, transportation and handling of powder, flake or granular materials. Typically constructed from woven polypropylene (PP) fabric in the form of cubic bags.
JC	Jerrican, rectangular
JG	Jug
JR	Jar
JT	Jutebag
JY	Jerrican, cylindrical
KG	Keg
KI	Kit A set of articles or implements used for a specific purpose.
LE	Luggage A collection of bags, cases and/or containers which hold personal belongings for a journey.
LG	Log
LT	Lot
LU	Lug A wooden box for the transportation and storage of fruit or vegetables.
LV	Liftvan
LZ	Logs, in bundle/bunch/truss

Used Codes

MA	Crate, metal Containment box made of metal for retaining substances or articles.
MB	Bag, multiply
MC	Crate, milk
ME	Container, metal A type of containment box made of metal for retaining substances or articles, not otherwise specified as transport equipment.
MR	Receptacle, metal
MS	Sack, multi-wall
MT	Mat
MW	Receptacle, plastic wrapped
MX	Matchbox
NA	Not available
NE	Unpacked or unpackaged
NF	Unpacked or unpackaged, single unit
NG	Unpacked or unpackaged, multiple units
NS	Nest
NT	Net
NU	Net, tube, plastic
NV	Net, tube, textile
O1	Two sided cage on wheels with fixing strap A two sided cage mounted on wheels with fixing strap. Dimensions: 900 x 770 x 1513 cm (length x width x height).
O2	Trolley A low cart for the transportation and storage of groceries, milk, etc.
O3	Oneway pallet ISO 0 - 1/2 EURO Pallet Oneway pallet with dimensions 80 X 60 cm.
O4	Oneway pallet ISO 1 - 1/1 EURO Pallet Oneway pallet with dimensions 80 X 120 cm.
O5	Oneway pallet ISO 2 - 2/1 EURO Pallet Oneway pallet with dimensions 100 X 120 cm.
O6	Pallet with exceptional dimensions Pallet with non-standard dimensions.
OA	Pallet, CHEP 40 cm x 60 cm CHEP standard pallet of dimensions 40 centimeters x 60 centimeters.

Used Codes

OB	Pallet, CHEP 80 cm x 120 cm CHEP standard pallet of dimensions 80 centimeters x 120 centimeters.
OC	Pallet, CHEP 100 cm x 120 cm CHEP standard pallet of dimensions 100 centimeters x 120 centimeters.
OD	Pallet, AS 4068-1993 Australian standard pallet of dimensions 115.5 centimeters x 116.5 centimeters.
OE	Pallet, ISO T11 ISO standard pallet of dimensions 110 centimeters x 110 centimeters, prevalent in Asia - Pacific region.
OF	Platform, unspecified weight or dimension A pallet equivalent shipping platform of unknown dimensions or unknown weight.
OG	Pallet ISO 0 - 1/2 EURO Pallet Standard pallet with dimensions 80 X 60 cm.
OH	Pallet ISO 1 - 1/1 EURO Pallet Standard pallet with dimensions 80 X 120 cm.
OI	Pallet ISO 2 - 2/1 EURO Pallet Standard pallet with dimensions 100 X 120 cm.
OJ	1/4 EURO Pallet Standard pallet with dimensions 60 X 40 cm.
OK	Block A solid piece of a hard substance, such as granite, having one or more flat sides.
OL	1/8 EURO Pallet Standard pallet with dimensions 40 X 30 cm.
OM	Synthetic pallet ISO 1 A standard pallet with standard dimensions 80 x 120cm made of a synthetic material for hygienic reasons.
ON	Synthetic pallet ISO 2 A standard pallet with standard dimensions 100 x 120cm made of a synthetic material for hygienic reasons.
OP	Wholesaler pallet Pallet provided by the wholesaler.
OQ	Pallet 80 X 100 cm Pallet with dimensions 80 X 100 cm.
OR	Pallet 60 X 100 cm Pallet with dimensions 60 X 100 cm.

Used Codes

OS	Oneway pallet Pallet need not be returned to the point of expedition.
OT	Octabin A standard cardboard container of large dimensions for storing for example vegetables, granules of plastics or other dry products.
OU	Container, outer A type of containment box that serves as the outer shipping container, not otherwise specified as transport equipment.
OV	Returnable pallet Pallet must be returned to the point of expedition.
OW	Large bag, pallet sized A non-rigid container made of fabric, paper, plastic, etc, with an opening at the top which can be closed and which is suitable for use on pallets.
OX	A wheeled pallet with raised rim (81 x 67 x 135) A wheeled pallet with raised rim for the storing and transporting of loads. Dimensions: 81 x 67 x 135 cm (length x width x height).
OY	A wheeled pallet with raised rim (81 x 72 x 135) A wheeled pallet with raised rim for the storing and transporting of loads. Dimensions: 81 x 72 x 135 cm (length x width x height).
OZ	A wheeled pallet with raised rim (81 x 60 x 16) A wheeled pallet with raised rim for the storing and transporting of loads. Dimensions: 81 x 60 x 16 cm (length x width x height).
P2	Pan A shallow, wide, open container, usually of metal.
PA	Packet
PB	Pallet, box
PC	Parcel
PD	Pallet, modular, collars 80cms * 100cms
PE	Pallet, modular, collars 80cms * 120cms
PF	Pen
PG	Plate
PH	Pitcher
PI	Pipe
PJ	Punnet
PK	Package
PL	Pail
PN	Plank

Used Codes

PO	Pouch
PP	Piece A loose or unpacked article.
PR	Receptacle, plastic
PT	Pot
PU	Tray pack
PV	Pipes, in bundle/bunch/truss
PX	Pallet
PY	Plates, in bundle/bunch/truss
PZ	Planks, in bundle/bunch/truss
QA	Drum, steel, non-removable head
QB	Drum, steel, removable head
QC	Drum, aluminium, non-removable head
QD	Drum, aluminium, removable head
QF	Drum, plastic, non-removable head
QG	Drum, plastic, removable head
QH	Barrel, wooden, bung type
QJ	Barrel, wooden, removable head
QK	Jerrican, steel, non-removable head
QL	Jerrican, steel, removable head
QM	Jerrican, plastic, non-removable head
QN	Jerrican, plastic, removable head
QP	Box, wooden, natural wood, ordinary
QQ	Box, wooden, natural wood, with sift proof walls
QR	Box, plastic, expanded
QS	Box, plastic, solid
RD	Rod
RG	Ring
RJ	Rack, clothing hanger
RK	Rack
RL	Reel
RO	Roll
RT	Rednet

Used Codes

RZ	Rods, in bundle/bunch/truss
SA	Sack
SB	Slab
SC	Crate, shallow
SD	Spindle
SE	Sea-chest
SH	Sachet
SI	Skid
SK	Case, skeleton
SL	Slipsheet
SM	Sheetmetal
SO	Spool
SP	Sheet, plastic wrapping
SS	Case, steel
ST	Sheet
SU	Suitcase
SV	Envelope, steel
SW	Shrinkwrapped
SY	Sleeve
SZ	Sheets, in bundle/bunch/truss
T1	Tablet A loose or unpacked article in the form of a bar, block or piece.
TB	Tub
TC	Tea-chest
TD	Tube, collapsible
TE	Tyre A ring made of rubber and/or metal surrounding a wheel.
TG	Tank container, generic A specially constructed container for transporting liquids and gases in bulk.
TI	Tierce TI
TK	Tank, rectangular
TL	Tub, with lid
TN	Tin
TO	Tun

Used Codes

TR	Trunk
TS	Truss
TT	Bag, tote A capacious bag or basket.
TU	Tube
TV	Tube, with nozzle
TW	Pallet, triwall A lightweight pallet made from heavy duty corrugated board.
TY	Tank, cylindrical
TZ	Tubes, in bundle/bunch/truss
UC	Uncaged
UN	Unit A type of package composed of a single item or object, not otherwise specified as a unit of transport equipment.
VA	Vat
VG	Bulk, gas (at 1031 mbar and 15 degree C)
VI	Vial
VK	Vanpack
VL	Bulk, liquid
VN	Vehicle A self-propelled means of conveyance.
VO	Bulk, solid, large particles ("nodules")
VP	Vacuum-packed
VQ	Bulk, liquefied gas (at abnormal temperature/pressure)
VR	Bulk, solid, granular particles ("grains")
VS	Bulk, scrap metal Loose or unpacked scrap metal transported in bulk form.
VY	Bulk, solid, fine particles ("powders")
WA	Intermediate bulk container
WB	Wickerbottle
WC	Intermediate bulk container, steel
WD	Intermediate bulk container, aluminium
WF	Intermediate bulk container, metal
WG	Intermediate bulk container, steel, pressurised > 10 kpa
WH	Intermediate bulk container, aluminium, pressurised > 10 kpa

Used Codes

WJ	Intermediate bulk container, metal, pressure 10 kpa
WK	Intermediate bulk container, steel, liquid
WL	Intermediate bulk container, aluminium, liquid
WM	Intermediate bulk container, metal, liquid
WN	Intermediate bulk container, woven plastic, without coat/liner
WP	Intermediate bulk container, woven plastic, coated
WQ	Intermediate bulk container, woven plastic, with liner
WR	Intermediate bulk container, woven plastic, coated and liner
WS	Intermediate bulk container, plastic film
WT	Intermediate bulk container, textile with out coat/liner
WU	Intermediate bulk container, natural wood, with inner liner
WV	Intermediate bulk container, textile, coated
WW	Intermediate bulk container, textile, with liner
WX	Intermediate bulk container, textile, coated and liner
WY	Intermediate bulk container, plywood, with inner liner
WZ	Intermediate bulk container, reconstituted wood, with inner liner
XA	Bag, woven plastic, without inner coat/liner
XB	Bag, woven plastic, sift proof
XC	Bag, woven plastic, water resistant
XD	Bag, plastics film
XF	Bag, textile, without inner coat/liner
XG	Bag, textile, sift proof
XH	Bag, textile, water resistant
XJ	Bag, paper, multi-wall
XK	Bag, paper, multi-wall, water resistant
YA	Composite packaging, plastic receptacle in steel drum
YB	Composite packaging, plastic receptacle in steel crate box
YC	Composite packaging, plastic receptacle in aluminium drum
YD	Composite packaging, plastic receptacle in aluminium crate
YF	Composite packaging, plastic receptacle in wooden box
YG	Composite packaging, plastic receptacle in plywood drum
YH	Composite packaging, plastic receptacle in plywood box
YJ	Composite packaging, plastic receptacle in fibre drum

Used Codes

YK	Composite packaging, plastic receptacle in fibreboard box
YL	Composite packaging, plastic receptacle in plastic drum
YM	Composite packaging, plastic receptacle in solid plastic box
YN	Composite packaging, glass receptacle in steel drum
YP	Composite packaging, glass receptacle in steel crate box
YQ	Composite packaging, glass receptacle in aluminium drum
YR	Composite packaging, glass receptacle in aluminium crate
YS	Composite packaging, glass receptacle in wooden box
YT	Composite packaging, glass receptacle in plywood drum
YV	Composite packaging, glass receptacle in wickerwork hamper
YW	Composite packaging, glass receptacle in fibre drum
YX	Composite packaging, glass receptacle in fibreboard box
YY	Composite packaging, glass receptacle in expandable plastic pack
YZ	Composite packaging, glass receptacle in solid plastic pack
ZA	Intermediate bulk container, paper, multi-wall
ZB	Bag, large
ZC	Intermediate bulk container, paper, multi-wall, water resistant
ZD	Intermediate bulk container, rigid plastic, with structural equipment, solids
ZF	Intermediate bulk container, rigid plastic, freestanding, solids
ZG	Intermediate bulk container, rigid plastic, with structural equipment, pressurised
ZH	Intermediate bulk container, rigid plastic, freestanding, pressurised
ZJ	Intermediate bulk container, rigid plastic, with structural equipment, liquids
ZK	Intermediate bulk container, rigid plastic, freestanding, liquids
ZL	Intermediate bulk container, composite, rigid plastic, solids
ZM	Intermediate bulk container, composite, flexible plastic, solids
ZN	Intermediate bulk container, composite, rigid plastic, pressurised
ZP	Intermediate bulk container, composite, flexible plastic, pressurised
ZQ	Intermediate bulk container, composite, rigid plastic, liquids
ZR	Intermediate bulk container, composite, flexible plastic, liquids
ZS	Intermediate bulk container, composite
ZT	Intermediate bulk container, fibreboard
ZU	Intermediate bulk container, flexible
ZV	Intermediate bulk container, metal, other than steel

Used Codes

ZW	Intermediate bulk container, natural wood
ZX	Intermediate bulk container, plywood
ZY	Intermediate bulk container, reconstituted wood
ZZ	Mutually defined
08	Oneway pallet (GS1 Temporary Code) Pallet need not be returned to the point of expedition.
09	Returnable pallet (GS1 Temporary Code) Pallet must be returned to the point of expedition.
200	Pallet ISO 0 - 1/2 EURO Pallet (GS1 Temporary Code) Standard pallet with dimensions 80 X 60 cm.
201	Pallet ISO 1 - 1/1 EURO Pallet (GS1 Temporary Code) Standard pallet with dimensions 80 X 120 cm.
202	Pallet ISO 2 (GS1 Temporary Code) Standard pallet with dimensions 100 X 120 cm.
203	1/4 EURO Pallet (GS1 Temporary Code) Standard pallet with dimensions 60 X 40 cm.
204	1/8 EURO Pallet (GS1 Temporary Code) Standard pallet with dimensions 40 X 30 cm.
205	Synthetic pallet ISO 1 (GS1 Temporary Code) A standard pallet with standard dimensions 80*120cm made of a synthetic material for hygienic reasons.
206	Synthetic pallet ISO 2 (GS1 Temporary Code) A standard pallet with standard dimensions 100*120cm made of a synthetic material for hygienic reasons.
210	Wholesaler pallet (GS1 Temporary Code) Pallet provided by the wholesaler.
211	Pallet 80 X 100 cm (GS1 Temporary Code) Pallet with dimensions 80 X 100 cm.
212	Pallet 60 X 100 cm (GS1 Temporary Code) Pallet with dimensions 60 X 100 cm.
AH	Pallet 100cms * 110cms Standard sized pallet of dimensions 100centimeters by 110 centimeters (cms). EDIFACT
AI	Clamshell EDIFACT
APE	Aluminium packed (GS1 Temporary Code) Packaging using thin sheets of aluminium.

Used Codes

BGE	Large bag, pallet sized (GS1 Temporary Code) A non-rigid container made of fabric, paper, plastic, etc, with an opening at the top which can be closed and which is suitable for use on pallets.
BME	Blister pack (GS1 Temporary Code) A transparent strip package of pressable plastic which allows the product to be displayed while remaining protected.
BRI	Brick (GS1 Temporary Code) A box made of a cardboard, plastic or metal, used for liquids.
CBL	Container bottle like (GS1 Temporary Code) A non-protected, non-cylindrical, container with a narrow neck made usually of glass or plastic which is especially used for liquids, e.g. perfume bottle.
CCE	Cardboard carrier (GS1 Temporary Code) A package made of cardboard.
CM	Card A flat package usually made of fibreboard from/to which the product is often hung or attached. EDIFACT
E1	Performance meat container E1 (GS1 Temporary Code) Standard performance meat container with dimensions 60 X 40 X 12,5 cm.
E2	Performance meat container E2 (GS1 Temporary Code) Standard performance meat container with dimensions 60 X 40 X 20 cm.
E3	Performance meat container E3 (GS1 Temporary Code) Standard performance meat container with dimensions 60 X 40 X 30 cm.
FOB	Folding box (GS1 Temporary Code) Folded cardboard box e.g for products like frozen vegetables, paper clips
FPE	Foil packed (GS1 Temporary Code) Packaging using a metallic foil.
LAB	Labeled package (GS1 Temporary Code) The package is labeled. Usually the label identifies the name, brand or description of the product within the package.
MPE	Multipack (GS1 Temporary Code) A container for the merchandising of multiple units of the same product.
OPE	Oxygen packed (GS1 Temporary Code) A package with oxygen added for storage purposes.
PAE	Paper (GS1 Temporary Code) An indication that the item(s) is packed in paper.
PJ	Punnet EDIFACT

Used Codes

PLP	Peel pack (GS1 Temporary Code) A package used for sterile products which may be torn open without touching the product inside.
POP	Cone shaped paper wrapper (GS1 Temporary Code) Cone shaped paper wrapping e.g. for an individually packed ice cream cone.
PPE	Polypropylene bag (GS1 Temporary Code) A bag made from polypropylene.
PUE	Tray packed in plastic (GS1 Temporary Code) A board with a ring packed in plastic carrying for small articles.
RB3	Wheeled pallet with raised rim. 81 x 60 x 16 cm (length x width x height). (GS1 Temporary Code) A wheeled pallet with raised rim for the storing and transporting of loads. Dimensions: 81 x 60 x 16 cm (length x width x height).
RCB	Two sided cage on wheels with fixing strap (GS1 Temporary Code) 900 x 770 x 1513 cm (length x width x height) A two sided cage mounted on wheels with fixing strap. Dimensions: 900 x 770 x 1513 cm (length x width x height).
S1	GS1 SMART-Box Type E (GS1 Temporary Code) Standard reusable crate with dimensions 60 x 40 x 21,1 cm.
SEC	Article Surveillance (GS1 Temporary Code) Equipped with article surveillance.
SO	Spool Any cylindrical piece on which something is wound.
SP	Sheet, plastic wrapping EDIFACT
STL	Stick (GS1 Temporary Code) A container for dispensing solid substances, e.g. glue, deodorant.
T1	Tablet A loose or unpacked article in the form of a bar, block or piece. EDIFACT
TEV	Tamper evident package (GS1 Temporary Code) A type of package giving easy or immediate recognition that the package has been tampered with after it has been sealed.
THE	Three pack (GS1 Temporary Code) A package containing three products.
TL	Tub, with lid EDIFACT
TRE	Trolley (GS1 Temporary Code) A low cart for the transportation and storage of groceries, milk, etc.

Used Codes

TTE	Tube, standing (GS1 Temporary Code) A screw-topped pliable cylinder capable of standing and suitable for holding pastes or semi-liquids, e.g. a tube of toothpaste.
TWE	Two pack (GS1 Temporary Code) A package containing two products.
UUE	Tube net (GS1 Temporary Code) A plastic or textile tube suitable for carrying loose products, e.g. fruit.
UVQ	Wrapped in plastic sheet (GS1 Temporary Code) An indication that the items have been wrapped in plastic sheet.
WRP	Wrapper (GS1 Temporary Code) Wrapping e.g. for an individually packed ice cream.
X11	Banded package (GS1 Temporary Code) A package with bands, usually metal or nylon, round it to hold the products together.
X15	Oneway pallet ISO 0 - 1/2 EURO Pallet (GS1 Temporary Code) Oneway pallet with dimensions 80 X 60 cm.
X16	Oneway pallet ISO 1 - 1/1 EURO Pallet (GS1 Temporary Code) Oneway pallet with dimensions 80 X 120 cm.
X17	Non-standard pallet (GS1 Temporary Code) Non-Standard pallet
X18	Parcel with exceptional dimensions (GS1 Temporary Code) Parcel with non-standard dimensions.
X3	Standard stack of stones (GS1 Temporary Code) Standard stack of stones.
7073	Packaging terms and conditions code Code specifying the packaging terms and conditions.
1	Packaging cost paid by supplier The cost of packaging is paid by the supplier.
2	Packaging cost paid by recipient The cost of packaging is paid by the recipient.
3	Packaging cost not charged (returnable) There is no charge for packaging because it is returnable.
24	Rented The package has been, or will be, rented. EDIFACT
25	Safe return deposit A deposit paid to guarantee the safe return of the package.

Used Codes

26	Not reusable The package is not reusable. GS1 Description: The equipment may only be used once and is not reusable for the purpose for which it was designed.
27	Package exchangeable at the point of delivery The package may be exchanged at the point of delivery.
29	Labeled The package is labeled. EDIFACT
1E	Unpack from (GS1 Temporary Code) Code identifying that goods should be unpacked from the identified package.
2E	Repack in (GS1 Temporary Code) Code identifying that goods should be repacked from the identified package.
3E	Pack in (GS1 Temporary Code) Code identifying that goods should be packed from the identified package.
X11	Packaging recycling fee paid by supplier (GS1 Temporary Code) The fee for recycling packaging is paid by the supplier.
XX1	Exchange Pallets (GS1 Temporary Code) The pallet is exchanged.
XX2	Return Pallets (GS1 Temporary Code) The pallet is returned.
XX3	Pallet - Third Party Exchange (GS1 Temporary Code) The pallet is exchanged by a third party.
XX4	No Exchange / No Return Pallet (GS1 Temporary Code) No pallet exchange or return.
7077	Description format code Code specifying the format of a description.
A	Free-form long description Long description of an item in free form.
B	Code and text Description of an item in coded and free form text.
C	Code (from industry code list) Description of an item in coded format. GS1 Description: Description of an item provided in coded format from an industry list.
D	Free-form price look up Price look-up description of a product for point of sale receipts.

Used Codes

E	Free-form short description Short description of an item in free form.
F	Free-form Description of an item in free form text. GS1 Description: Item related general free form text description, which is neither a short or long description of the item itself.
S	Structured (from industry code list) Description of an item in a structured format.
7081	Item characteristic code Code specifying the characteristic of an item.
2	General product form Description of general product form.
3	Ship to stock Product without quality control when received.
4	Finish Description of the finish required/available on the product.
6	Construction method Description of the method of construction.
13	Quality The degree of excellence of a thing. GS1 Description: Characteristics to be described refer to the quality of the item.
27	Material description Description of material used to manufacture a product. GS1 Description: Free text description of the materials of which the article is composed.
31	European Community risk class European community classification "CE" indicating the safety risk of an article. GS1 Description: European commission classification indicating the safety risk of an article (also called CE-mark or CE-risk class).
35	Colour Description of the colour required/available on the product.
38	Grade Specification of the grade required/available for the product. GS1 Description: Specification of the grade required/available for the product, e.g. the grade of fruit.

Used Codes

44	<p>Further identifying characteristic</p> <p>Description of further identifying characteristic of a product which enables the product to be distinguished from any similar products.</p> <p>GS1 Description: Extra descriptive information in free text which makes it possible to distinguish almost, but not completely, similar articles.</p>
45	<p>Private label name</p> <p>Describes the private label name of a product.</p>
46	<p>Silhouette</p> <p>Describes the outline of the item.</p>
47	<p>Warranty type description</p> <p>The warranty type description of the item.</p>
48	<p>Yarn count</p> <p>Describes the fineness of the yarn in the cloth.</p> <p>GS1 Note: Replaces GS1 Temporary Code U07.</p> <p>EDIFACT</p>
61	<p>New article</p> <p>The characteristic of a new item or commodity.</p>
72	<p>Vintage</p> <p>The harvest year of the grapes that are part of the composition of a particular wine.</p>
75	<p>Artist</p> <p>The performing artist(es) of a recorded song or piece of music.</p>
76	<p>Author</p> <p>The author of a written work.</p>
77	<p>Binding</p> <p>A description of the type of binding used for a written work.</p>
78	<p>Edition</p> <p>Description of the edition of a written work.</p>
79	<p>Other physical description</p> <p>Any other relevant physical description.</p>
80	<p>Publisher</p> <p>The publisher of a written piece of work as part of the item description.</p>
81	<p>Title</p> <p>The title of a work.</p>
82	<p>Series title</p> <p>Title of a series of works.</p>
83	<p>Volume title</p> <p>The title of a volume of work.</p>

Used Codes

84	Composer The composer of a recorded song or piece of music.
85	Recording medium The medium on which a musical recording is made.
86	Music style The style of music.
87	Promotional event Describes the promotional event associated with a product.
98	Size Description of size in non-numeric terms.
120	Chemistry Code indicating the product's chemical characteristics.
126	Pattern Code indicating the product's pattern characteristics.
132	Fabric Code indicating the product's fabric characteristics.
169	Market segment Code indicating the market segment associated with a product.
171	Physical form Code indicating the physical form of a product.
196	Additional sectorial characteristics A code issued on a sectorial basis which identifies any additional characteristics of a product.
197	Product data base management description A description indicating how a product should be managed in a data base.
219	Style A kind, sort, or type that distinguishes one commodity from another commodity with similar characteristics. GS1 Note: Replaces GS1 Temporary Code STE. EDIFACT
223	Brand name The brand name of an item. EDIFACT
ANM	Article name (GS1 Temporary Code) The name of the product.
AVI	Available for ordering (GS1 Temporary Code) Goods are available for ordering.

Used Codes

BPD	Publication date (GS1 Temporary Code) The publication date of a written work as an element of the description.
BVP	Volume or part number (GS1 Temporary Code) The volume or part number of a written work.
DSC	Description (GS1 Temporary Code) A non-structured description of a product.
ECO	ECO labelling description (GS1 Temporary Code) Description of ECO labelling.
EDS	Expiry date surpassed (GS1 Temporary Code) The expiry date for goods has been surpassed.
FGT	Fishing gear type (GS1 Permanent Code) Fishing gear type
FN	Functional Name (GS1 Temporary Code) Describes use of the product or service by the consumer. Should help clarify the product classification associated with the GTIN.
FPC	Fish presentation code (GS1 Permanent Code) Fish presentation code
FQG	Fish quality grade (GS1 Permanent Code) Fish quality grade
FRZ	Freezing information (GS1 Permanent Code) Freezing information
FSS	Fish standardized size (GS1 Permanent Code) Fish standardized size
GDC	GIFAM fault code (GS1 Temporary Code) A code used in the white goods industry to identify faults.
GEO	Geographical area (GS1 Permanent Code) Relevant geographical area.
HAN	Handling instructions (GS1 Temporary Code) A code identifying a coded description of handling instructions.
HAZ	Hazardous material codes (GS1 Temporary Code) A code identifying a coded description of hazardous materials.
IDC	IRIS fault code (GS1 Temporary Code) A code used in the brown goods industry to identify faults.
IN	Invoice name (GS1 Temporary Code) Free form information provider assigned trade item description designed to match trade item/service description as noted on invoices.

Used Codes

IRC	IRIS repair code (GS1 Temporary Code) A code used in the brown goods industry to identify a repair required to correct a fault.
ISC	IRIS section code (GS1 Temporary Code) A code used in the brown goods industry to identify a section containing a fault.
ISY	IRIS symptom code (GS1 Temporary Code) A code used in the brown goods industry to identify a symptom of a fault.
KEY	Keyword (GS1 Temporary Code) A word which may be used as a search key to select items from a product file. A keyword is usually a word which does not exist in the product description but may exist in information accompanying the product, e.g. Keyword = Absorbent, Product description = Gauze dressing, Product information = 1 Peelpack with 10 absorbent gauze dressings.
MNF	Manufacturer (GS1 Temporary Code) The name of the manufacturer of the product which is printed on the product packaging.
NAV	Not available for ordering (GS1 Temporary Code) Goods are not available for ordering.
OFS	Order Fulfilment Strategy (GS1 Temporary Code) The method used by the supplier to fulfil a customer order for a particular product. Three strategies are recognised: Make to Order, Make to Stock and Engineer to Order.
PR	Product Range (GS1 Temporary Code) A name, used by a BrandOwner, that spans multiple consumer categories or uses. E.g. (Waist Watchers).
PRO	Production Method (GS1 Permanent Code) Production Method Characteristics.
RLI	Rolling instructions (GS1 Temporary Code) Instructions concerning the rolling of material, e.g. paper, plastic, carpet, etc.
SB	Subbrand (GS1 Temporary Code) Second level of brand. Can be a trademark. It is the primary differentiating factor that a brand owner wants to communicate to the consumer or buyer.
SBN	Primary differentiating factor that a brand owner wants to communicate (GS1 Temporary Code) Second level of brand. Can be a trademark. It is the primary differentiating factor that a brand owner wants to communicate to the consumer or buyer. E.g. Yummy-Cola Classic. In this example Yummy-Cola is the brand and Classic is the subBrand.
SCT	Scientific name (GS1 Permanent Code) The scientific name of a product.

Used Codes

SDS	Shelf description (GS1 Temporary Code) A description of the product for shelf edge labelling purposes.
SGR	Size grid (GS1 Temporary Code) Grid of sizes, containing for a certain type of size (e.g., womans, France, etc) each possible value of the size (e.g., 28, 30, 32, etc).
STE	Style (GS1 Temporary Code) A code identifying the style of a product. GS1 Note: Code marked for deletion. Use value 219 instead.
TDS	Technical description (GS1 Temporary Code) The technical description of a product.
TPE	Article type (GS1 Temporary Code) The article type allocated by the manufacturer to a product.
U02	Fiber (GS1 Temporary Code) A code identifying the fiber contained in a cloth.
U07	Yarn content (GS1 Temporary Code) A code indicating the yarn content of a fabric. GS1 Note: Code marked for deletion. Use value 48 instead.
U08	Roll pattern out (GS1 Temporary Code) An instruction to roll the product with the pattern side facing out.
U09	Roll pattern in (GS1 Temporary Code) An instruction to roll the product with the pattern side facing in.
UP2	Packaging language (GS1 Temporary Code) Language used for package markings.
UP4	Promotional free goods (GS1 Temporary Code) Free goods not associated to any other product given for promotional reasons.
UP5	Width or fitting (GS1 Temporary Code) An indication of the width or fitting (e.g. wide, loose, etc.) of a shoe or textile product.
UP6	Material shoe upper (GS1 Temporary Code) An indication of the material (e.g. leather, suede, canvas, etc.) used to construct a shoe upper.
UP7	Material shoe sole (GS1 Temporary Code) An indication of the material (e.g. leather, rubber, etc.) used to construct the sole of a shoe.
UP8	Material lining (GS1 Temporary Code) An indication of the lining (e.g. silk, leather, etc.) of a shoe or textile product.
UP9	Shoe heel height (GS1 Temporary Code) An indication of the height of the heel of a shoe.

Used Codes

UQ1	Base article exception rule (GS1 Temporary Code) An indication that what follows is a base article exception rule.
UQ2	Orchestra (GS1 Temporary Code) The Orchestra of a recorded song or piece of music.
UQ3	Conductor (GS1 Temporary Code) The conductor of a recorded song or piece of music.
UQ5	Inspection agencies (GS1 Temporary Code) Characteristics to be described refer to inspection agencies controlling the item described.
UQ6	Product without theft protection (GS1 Temporary Code) The product is not fitted with a protection against theft.
UQ7	Product with theft protection, active (GS1 Temporary Code) The product is fitted with a protection against theft that has been activated.
UQ8	Product with theft protection, inactive (GS1 Temporary Code) The product is fitted with a protection against theft that has not been activated.
WVL	Weight or volume loss (GS1 Temporary Code) Goods have suffered a weight or volume loss.
XX1	Collar Type (GS1 Temporary Code) Type of collar on the garment.
XX2	Sleeve Type (GS1 Temporary Code) Type of sleeve on the garment.
XX3	Clothing Cut (GS1 Temporary Code) Code identifying the clothing cut.
XX4	Non marked trade item components (GS1 Temporary Code) Code identifying the of price by measure.
XX5	Campaign name (GS1 Temporary Code) The type of a variable measure trade item.
XX6	Season name (GS1 Temporary Code) Element defines the season applicable to the item.
XX7	Season parameter (GS1 Temporary Code) Indication of the season, in which the trade item is available, i.e. assignment to one of the following collection periods: spring/summer, autumn/ winter or all year around.
XX8	Target Consumer Age (GS1 Temporary Code) Identifies the target consumer age range for which a trade item has been designed.

Used Codes

XX9	Target Consumer Gender (GS1 Temporary Code) Identifies the target consumer gender for which a product has been designed.
XY1	Link to external description (GS1 Temporary Code) The link (e.g. URL) to the external description.
XY2	Additional Trade Item Description (GS1 Temporary Code) Additional variants necessary to communicate to the industry to help define the product. Multiple variants can be established for each GTIN. This is a repeatable field, e.g. Style, Color, and Fragrance.
XY3	Trade item group identification (GS1 Temporary Code) The text description of the value represented by the trade itemGroupIDCode.
XY4	Price by measure type (GS1 Temporary Code) Code identifying the of price by measure.
XY5	Variable trade item type (GS1 Temporary Code) The type of a variable measure trade item.
7143	Item type identification code Coded identification of an item type.
BRI	Brick Code (GS1 Temporary Code) Global GS1 classification category code. Unique, permanent 10-digit key.
GAT	GPC Brick attribute type (GS1 Temporary Code) Unique 8 digit code which identifies the Global GS1 classification.
GAV	GPC brick attribute value (GS1 Temporary Code) Unique 8 digit code which identifies the Global GS1 classification attribute value
GB	Buyer's internal product group code Product group code used within a buyer's internal systems.
GN	National product group code National product group code. Administered by a national agency.
HS	Harmonised system The item number is part of, or is generated in the context of the Harmonised Commodity Description and Coding System (Harmonised System), as developed and maintained by the World Customs Organization (WCO).
IN	Buyer's item number The item number has been allocated by the buyer.
MN	Model number Reference number assigned by the manufacturer to differentiate variations in similar products in a class or group.

Used Codes

NB	<p>Batch number</p> <p>The item number is a batch number.</p> <p>GS1 Description: Number supplementing the identification code of a product used to identify the specific production place and/or time of a product.</p>
PV	<p>Promotional variant number</p> <p>The item number is a promotional variant number.</p> <p>GS1 Description: Number supplementing the identification code of a product and identifying that product as a variant of the standard product. To be used when the variation is not sufficiently significant to justify a change for the main identification code of the product.</p>
SA	<p>Supplier's article number</p> <p>Number assigned to an article by the supplier of that article.</p>
SN	<p>Serial number</p> <p>Identification number of an item which distinguishes this specific item out of a number of identical items.</p>
SRV	<p>GS1 Global Trade Item Number</p> <p>A unique number, up to 14-digits, assigned according to the numbering structure of the GS1 system. 'GS1' stands for the 'Global Standards One'.</p>
7233	<p>Packaging related description code</p> <p>Code specifying information related to packaging.</p>
1	<p>Product ingredients not marked on package</p> <p>The ingredients of the product are not marked on the packaging of the product.</p>
2	<p>Product price not marked on packaging</p> <p>The product price is not marked on the packaging of the product.</p>
3	<p>Product best before date not marked on product package</p> <p>The product best before date is not marked on the packaging of the product.</p>
4	<p>Package not marked recyclable</p> <p>Package is not marked as recyclable.</p>
5	<p>Promotional details marked</p> <p>A code indicating that promotional details have been marked on the package.</p>
7	<p>Sell-by date marked on package</p> <p>The package is marked with the last date on which the item may be sold.</p>
8	<p>Use-by date marked on package</p> <p>The package is marked with the last date on which the item may be used.</p>
9	<p>Packaging / manufacturing date marked on package</p> <p>The package is marked with the date of the packaging or manufacturing of the item.</p>

Used Codes

10	No freshness date marked on package Package is not marked with any kind of date indicating freshness, such as use-by, best before or packaging date.
31	Package best before date marked Package is marked with the product best before date.
32	Package marked recyclable The package is marked recyclable.
33	Package marked returnable The package is marked returnable.
50	Package barcoded EAN-13 or EAN-8 The package is barcoded with EAN-13 or EAN-8 code.
51	Package barcoded ITF-14 The package is barcoded with ITF-14 code.
52	Package barcoded UCC or EAN-128 The package is barcoded with UCC or EAN-128 code.
53	Package price marked The package is marked with the price.
54	Product ingredients marked on package The ingredients of the product contained in a package are marked on that package.
64	Package never EPC tagged. The package will never be tagged with an EPC (Electronic Product Code) transponder.
65	Package sometimes EPC tagged The package will sometimes be tagged with an EPC (Electronic Product Code) transponder.
78	Package bar-coded and EPC tagged The package is bar-coded and tagged with an EPC (Electronic Product Code) transponder.
79	Package EPC tagged only The package is tagged with an EPC (Electronic Product Code) transponder only.
80	Marked with "display until date" Package is marked with the date by which the product should be removed from the display location.
81	Package marked with a variable measure barcode The package is marked with a variable measure barcode.
82	Package marked with fixed measure barcode The package is marked with a fixed measure barcode.

Used Codes

LAB	Labeled according to General GS1 Specifications for clothing and fashion accessories (GS1 Temporary Code) The item is labeled according to the General GS1 Specifications for clothing and fashion accessories.
NAB	Not labeled acc. to GS1 (GS1 Temporary Code) Specifications for clothes and fashion accessoires
NBR	Not barcoded (GS1 Temporary Code) The package is not barcoded.
RL1	Peg hole round 1 (GS1 Temporary Code) The item's packaging has a round peg hole. (European norm DIN EN 13010:2003 (substitute for DIN 55512-1:1984-12))
SL1	Peg hole slot hole 1 (GS1 Temporary Code) The item's packaging has a slot peg hole of type 1. (European norm DIN EN 13010:2003 (substitute for DIN 55512-1:1984-12))
SL3	Peg hole slot hole 3 (GS1 Temporary Code) The item's packaging has a slot peg hole of type 3. (European norm DIN EN 13010:2003 (substitute for DIN 55512-1:1984-12))
X01	Composite Component A (GS1 Temporary Code) Packaging marked with CC-A barcode.
X02	Composite Component B (GS1 Temporary Code) Packaging marked with CC-B barcode.
X03	Composite Component C (GS1 Temporary Code) Packaging marked with CC-C barcode.
X04	RSS-14 (GS1 Temporary Code) Packaging marked with RSS-14 (GS1 DataBar) symbology.
X05	RSS-14 Stacked (GS1 Temporary Code) Packaging marked with RSS-14 (GS1 DataBar) stacked symbology.
X06	RSS-14 Staked omnidirectional (GS1 Temporary Code) Packaging marked with RSS-14 (GS1 DataBar) stacked omnidirectional symbology.
X07	RSS-14 Truncated (GS1 Temporary Code) Packaging marked with RSS-14 (GS1 DataBar) truncated symbology.
X08	RSS expanded (GS1 Temporary Code) Packaging marked with RSS (GS1 DataBar) expanded symbology.
X09	RSS expanded truncated (GS1 Temporary Code) Packaging marked with RSS (GS1 DataBar) expanded truncated symbology.
X10	RSS limited (GS1 Temporary Code) Packaging marked with RSS (GS1 DataBar) limited symbology.

Used Codes

X11	UPC A symbol (GS1 Temporary Code) Packaging marked with UPC A symbol.
X12	UPC E Symbol (GS1 Temporary Code) Packaging marked with UPC E symbol.
X13	EANUCC 14 Symbol (GS1 Temporary Code) Packaging marked with EAN UCC 14 symbology.
X14	Package not marked returnable (GS1 Temporary Code) Packaging marked with EAN UCC 14 symbology.
X15	Gift wrapping (GS1 Temporary Code) Trade item is packaged in a gift wrapping.
X16	Greeting card (GS1 Temporary Code) Trade item is accompanied by a greeting card.
7405	Object identification code qualifier Code qualifying the identification of an object.
AW	Serial shipping container code A single unique serial number which identifies shipping containers or shipping packages. GS1 Note: Replaces code BJ.
BJ	Serial shipping container code A single unique serial number which identifies shipping containers or shipping packages. GS1 Note: Code marked for deletion. Use AW instead. GS1 Description: A single unique serial number which identifies shipping containers or shipping packages.
BN	Serial number Identification number of an item which distinguishes this specific item out of a number of identical items.
BX	Batch number Unique number affixed by manufacturer to a batch of products produced under similar conditions.
CPE	Coupon number (GS1 Temporary Code) A number identifying a coupon which is attached to the identified product.
CQE	Cheque number (GS1 Temporary Code) A number identifying a cheque.
CRE	Price marked on product (GS1 Temporary Code) The price per unit of measure is marked on trade item.

Used Codes

CU	<p>GS1 Global Individual Asset Identifier</p> <p>Unique number, consisting of the GS1 Company Prefix and an Individual Asset Reference.</p> <p>GS1 Note: Replaces GS1 Temporary Code IAG.</p>
DA	<p>GS1 Global Returnable Asset Identifier, without serial number</p> <p>A unique number, consisting of a fixed 13-digits part. It allows the unique identification of a particular type of Returnable Asset.</p>
DB	<p>GS1 Global Returnable Asset Identifier, with serial number</p> <p>A unique number, consisting of a fixed 13-digits part and a mandatory Serial Number of up to 16 digits. The fixed part allows for the unique identification of a particular kind of Returnable Asset, the second part is assigned to distinguish individual assets within a given Returnable Asset type.</p>
DC	<p>GS1 Global Identification Number for Consignment (GINC)</p> <p>A unique number that identify a consignment comprised of one or more logistic units that are intended to be transported together.</p>
DD	<p>GS1 Global Shipment Identification Number (GSIN)</p> <p>A unique number that identify a shipment comprised of one or more logistic units that are intended to be delivered together.</p>
EI	<p>IMEI</p> <p>The International Mobile Station Equipment Identity (IMEI) is a unique number to identify mobile phones. It includes the origin, model and serial number of the device. The structure is specified in 3GPP TS 23.003.</p> <p>GS1 Note: Replaces GS1 Temporary Code SUF.</p>
SRV	<p>GS1 Global Trade Item Number (GS1 Temporary Code)</p> <p>A unique number, up to 14-digits, assigned according to the numbering structure of the GS1 system. 'GS1' stands for the 'Global Standards One'.</p> <p>GS1 Note: Replaces code EU.</p>
SUF	<p>IMEI (GS1 Temporary Code)</p> <p>The International Mobile Station Equipment Identity (IMEI) is a unique number to identify mobile phones. It includes the origin, model and serial number of the device. The structure is specified in 3GPP TS 23.003.</p> <p>GS1 Note: Code marked for deletion. Use EI instead.</p>
8051	<p>Transport stage code qualifier</p> <p>Code qualifying a specific stage of transport.</p>
1	<p>Inland transport</p> <p>Transport by which goods are moved from or to the frontier, or between inland points.</p>
10	<p>Pre-carriage transport</p> <p>Transport by which the goods are moved prior to their main carriage transport.</p>
11	<p>At border</p> <p>Transport by which goods are moved to the Customs frontier.</p>

Used Codes

12	At departure Transport by which goods are moved from the place of departure.
13	At destination Transport by which goods are moved at the place of destination.
20	Main-carriage transport The primary stage in the movement of cargo from the point of origin to the intended destination.
25	Delivery carrier all transport Carrier responsible from the point of origin to the final delivery destination.
30	On-carriage transport Transport by which the goods are moved after the main carriage transport.
I	Origin switch carrier (GS1 Temporary Code) Carrier taking responsibility for the goods from the carrier which has transported them from their point of origin.
8053	Equipment type code qualifier Code qualifying a type of equipment.
UL	ULD (Unit load device) An aircraft container or pallet.
8179	Transport means description code Code specifying the means of transport.
1	Barge chemical tanker A barge equipped to transport liquid chemicals.
9	Exceptional transport Transport for which common characteristics are not applicable (e.g. big transformers requiring special wagons, special tackles, special routing etc.).
12	Ship tanker A large vessel equipped to transport liquids.
13	Ocean vessel
19	Tip-up truck A truck capable of tipping up in order to deliver its load.
20	Furniture truck A truck used explicitly for the conveyance of furniture.
21	Rail tanker A rail wagon equipped to transport liquids.

Used Codes

22	Rail silo tanker Self explanatory. Notes: This code value will be removed effective with directory D.04B.
23	Rail bulk car A rail wagon equipped to transport bulk cargo.
26	Tip-up articulated truck An articulated truck capable of tipping up in order to deliver its load.
28	Refrigerated truck and trailer A combined truck and trailer equipped to maintain refrigerated temperatures. GS1 Description: A truck and trailer capable of transporting refrigerated goods.
29	Freezer truck and trailer A combined truck and trailer equipped to maintain freezing temperatures. GS1 Description: A truck and trailer capable of transporting frozen goods.
30	Tautliner 25 tonne, combined with 90 cubic meter trailer with removable roof A truck with non-ridged sides, 25 tonne capacity combined with a 90 cubic meter trailer with removable roof.
31	Truck An automotive vehicle for hauling goods.
32	Road tanker An over-the-road tank trucker or trailer.
35	Truck/trailer with tilt A truck and trailer combination with a tilting capability. GS1 Description: A truck/trailer fitted with a tilting mechanism.
40	Truck with opening floor A truck with an opening floor mechanism which is used to discharge the cargo.
41	Freezer truck A truck equipped to maintain freezing temperatures.
42	Isothermic truck A truck equipped to maintain controlled temperatures.
43	Refrigerated truck A truck equipped to maintain refrigerated temperatures. GS1 Description: A truck capable of transporting refrigerated goods.

Used Codes

44	Freezer van A small rigid covered vehicle for conveying frozen goods. GS1 Description: A van capable of transporting frozen goods.
45	Isothermic van A small rigid covered vehicle for conveying temperature controlled goods. GS1 Description: A van capable of transporting temperature controlled goods.
46	Refrigerated van A small rigid covered vehicle for conveying refrigerated goods. GS1 Description: A van capable of transporting refrigerated goods.
47	Bulk truck A truck suitable for transporting bulk goods.
48	Van A small vehicle suitable for carrying small volume loads.
73	Train with more than one and less than 20 wagons A train with more than one and less than 20 wagons used to carry goods.
74	Train with 20 or more wagons A train with 20 or more wagons used to carry goods.
77	Freezer truck and isothermic trailer A combined freezer truck and isothermic trailer.
78	Isothermic truck and isothermic trailer A truck and a trailer equipped to maintain controlled temperatures.
79	Refrigerated truck and isothermic trailer A combined refrigerated truck and isothermic trailer.
80	Freezer truck and refrigerated trailer A combined freezer truck and refrigerated trailer.
81	Isothermic truck and refrigerated trailer A combined isothermic truck and refrigerated trailer.
82	Rigid truck with tank and tank trailer A combined rigid truck with tank and tank trailer.
83	Bulk truck and tank trailer A combined truck capable of carrying liquids or bulk goods and a tank trailer.
84	Rigid truck with tank and bulk trailer A combined rigid truck with tank and a trailer capable of carrying liquids or bulk goods.
85	Bulk truck and bulk trailer A combined truck and a trailer both capable of carrying liquids or bulk goods.

Used Codes

86	Tautliner truck and extendable trailer A combined tautliner truck and extendable trailer.
87	Tautliner truck with removable roof and extendable trailer A combined tautliner truck with removable roof and extendable trailer.
88	Truck with opening floor and extendable trailer A combined truck with opening floor and extendable trailer.
89	Bulk truck and extendable trailer A combined truck capable of carrying liquids or bulk goods and an extendable trailer.
90	Isothermic truck and freezer trailer A combined isothermic truck and freezer trailer.
91	Refrigerated truck and freezer trailer A combined refrigerated truck and freezer trailer.
92	Tip-up truck and gondola trailer A combined tip-up truck and gondola trailer. A gondola trailer is a split level trailer suitable for the transport of heavy machinery.
93	Tautliner truck and gondola trailer A combined tautliner truck and gondola trailer. A gondola trailer is a split level trailer suitable for the transport of heavy machinery.
94	Tautliner truck with removable roof and gondola trailer A combined tautliner truck with removable roof and gondola trailer. A gondola trailer is a split level trailer suitable for the transport of heavy machinery.
95	Truck with opening floor and gondola trailer A combined truck with opening floor and gondola trailer. A gondola trailer is a split level trailer suitable for the transport of heavy machinery.
96	Bulk truck and gondola trailer A combined truck capable of carrying liquids or bulk goods and a gondola trailer. A gondola trailer is a split level trailer suitable for the transport of heavy machinery.
97	Tip-up truck and extendable gondola trailer A combined tip-up truck with extendable gondola trailer. An extendable gondola trailer is a trailer fitted with a rear axle which can be extended to cater for variable length and is suitable for the transport of heavy machinery.
98	Tautliner truck and extendable gondola trailer A combined tautliner truck and extendable gondola trailer. An extendable gondola trailer is a trailer fitted with a rear axle which can be extended to cater for variable length and is suitable for the transport of heavy machinery.

Used Codes

99	Tautliner truck with removable roof and extendable gondola trailer A combined tautliner truck with removable roof and extendable gondola trailer. An extendable gondola trailer is a trailer fitted with a rear axle which can be extended to cater for variable length and is suitable for the transport of heavy machinery.
100	Truck with opening floor and extendable gondola trailer A combined truck with opening floor and extendable gondola trailer. An extendable gondola trailer is a trailer fitted with a rear axle which can be extended to cater for variable length and is suitable for the transport of heavy machinery.
101	Bulk truck and extendable gondola trailer A combined truck capable of carrying liquids or bulk goods and a extendable gondola trailer. An extendable gondola trailer is a trailer fitted with a rear axle which can be extended to cater for variable length and is suitable for the transport of heavy machinery.
102	Tip-up truck and trailer with opening floor A combined tip-up truck and trailer with opening floor.
103	Tautliner truck and trailer with opening floor A combined tautliner truck and trailer with opening floor.
104	Tautliner truck with removable roof and trailer with opening floor A combined tautliner truck with removable roof and trailer with opening floor.
106	Bulk truck and trailer with opening floor A combined truck capable of carrying liquids or bulk goods and a trailer with opening floor.
3138	Armoured vehicle Automotive vehicle designed with fortified body for enhanced protection.
10E	Tautliner 25t (GS1 Temporary Code) A 25t Tautliner truck/trailer.
11E	Tautliner 25t with removable roof (GS1 Temporary Code) A 25t Tautliner truck/trailer with removable roof.
12E	Articulated flat lorry 25t (GS1 Temporary Code) An articulated flat lorry capable of carrying loads of 25 tonnes.
13E	Articulated flat lorry 24t with crane 10m (GS1 Temporary Code) An articulated flat lorry with a 10 meter crane capable of carrying loads of 24 tonnes.
14E	Articulated flat lorry 24t with crane 15m (GS1 Temporary Code) An articulated flat lorry with a 15 meter crane capable of carrying loads of 24 tonnes.
15E	Articulated flat lorry 24t with crane 18m (GS1 Temporary Code) An articulated flat lorry with a 18 meter crane capable of carrying loads of 24 tonnes.

Used Codes

16E	Articulated flat lorry 10t (GS1 Temporary Code) An articulated flat lorry capable of carrying loads of 10 tonnes.
17E	Tautliner 25t with trailer 90m3 (GS1 Temporary Code) A 25t Tautliner truck/trailer with a 90 m3 trailer.
18E	Tautliner 25t with trailer 120m3 (GS1 Temporary Code) A 25t Tautliner truck/trailer with a 120 m3 trailer.
19E	Flat lorry with trailer and crane 10m (GS1 Temporary Code) An flat lorry with a trailer and a 10 meter crane.
20E	Articulated lorry with tank (GS1 Temporary Code) An articulated lorry fitted with a tank capable of carrying liquids or bulk goods..
21E	Flat lorry 15t (GS1 Temporary Code) A flat lorry capable of carrying loads of 15 tonnes.
22E	Flat lorry 25t with crane (GS1 Temporary Code) An flat lorry fitted with a crane and capable of carrying loads of 25 tonnes.
27E	Isothermic trailer (GS1 Temporary Code) A trailer capable of transporting temperature controlled goods.
28E	Refrigerated trailer (GS1 Temporary Code) A trailer capable of transporting refrigerated goods.
32E	Trailer (GS1 Temporary Code) A trailer suitable for transporting containerised or palletized goods.
33E	Tank trailer (GS1 Temporary Code) A tank trailer suitable for transporting liquids.
34E	Bulk trailer (GS1 Temporary Code) A trailer suitable for transporting bulk goods.
37E	Extendable trailer (GS1 Temporary Code) A trailer fitted with a rear axle which can be extended to cater for variable length loads.
38E	Dolly trailer (GS1 Temporary Code) A trailer composed of a platform mounted on an axle. The trailer is not connected directly to the truck but connected by the load.
39E	Freezer trailer (GS1 Temporary Code) A trailer suitable for transporting frozen goods.
41E	Furniture removal trailer (GS1 Temporary Code) A trailer used explicitly for the removal of furniture.
44E	Gondola trailer (GS1 Temporary Code) A split level trailer suitable for the transport of heavy machinery (e.g. earth movers).

Used Codes

45E	Extendable gondola trailer (GS1 Temporary Code) A trailer fitted with a rear axle which can be extended to cater for variable length loads and is suitable for the transport of heavy machinery (e.g. earth movers).
46E	Rigid lorry with tank (GS1 Temporary Code) A rigid lorry fitted with a tank capable of carrying liquids or bulk goods.
50E	Tautliner rigid truck (GS1 Temporary Code) A Tautliner rigid truck.
51E	Tautliner rigid truck with removable roof (GS1 Temporary Code) A Tautliner rigid truck with removable roof.
53E	Trailer with opening floor (GS1 Temporary Code) A trailer with an opening floor mechanism which is used to discharge the cargo.
54E	Train with convergent set of wagons (GS1 Temporary Code) A train with wagons coming from different despatch locations which must be grouped in order to form one train.
55E	Train with divergent set of wagons (GS1 Temporary Code) A train with wagons coming from the same despatch location which will be split in different trains because there are more than one point of delivery.
56E	Combination of a truck (length 6 m) and a trailer (length 8 m) (GS1 Temporary Code) Combination of a truck (length 6 m) and a trailer (length 8m) having a combined tonnage of between 23 and 25 tons and a loading capacity of 90m ³ .
57E	Combination of a truck (length 6 m) and a trailer (length 9 m) (GS1 Temporary Code) Combination of a truck (length 6m) and a trailer (length 9m) having a combined tonnage of between 23 and 25 tons and a loading capacity of 100m ³ .
58E	Combination of a truck and trailer with a length of 13.6m, a tonnage between 23 and 25 tons (GS1 Temporary Code) Combination of a truck and a trailer with a length of 13.6m, a tonnage between 23 and 25 tons, and a loading capacity of 80 m ³ .
59E	Rail wagon (GS1 Temporary Code) A single rail wagon used to carry goods.
77E	Furniture truck and trailer (GS1 Temporary Code) A combined truck and trailer capable of carrying furniture.
78E	Tautliner truck and furniture trailer (GS1 Temporary Code) A combined tautliner truck and furniture trailer.
79E	Tautliner truck with removable roof and furniture trailer (GS1 Temporary Code) A combined tautliner truck with removable roof and furniture trailer.

Used Codes

93E	Truck and trailer with opening floor (GS1 Temporary Code) A combined truck and a trailer with an opening floor.
95E	Tautliner truck and dolly trailer (GS1 Temporary Code) A combined tautliner truck and a dolly trailer.
96E	A tautliner truck with removable roof and a dolly trailer (GS1 Temporary Code) A combined tautliner truck with removable roof and a dolly trailer.
97E	Truck with trailer (GS1 Temporary Code) Combined truck and trailer.
98E	Truck with crane for moving goods without trailer (GS1 Temporary Code) A truck with a crane that enables to move goods, without trailer.
99E	Truck with crane for moving goods with trailer (GS1 Temporary Code) A truck with a crane that enables to move goods, with trailer.
X01	Truck with crane for lifting goods without trailer (GS1 Temporary Code) A truck with a crane that enables to lift goods, without trailer.
X02	Truck with crane for lifting goods with trailer (GS1 Temporary Code) A truck with a crane that enables to lift goods, with trailer.
X04	Courier express (GS1 Temporary Code) Use the fastest courier means possible.
X05	Road parcel express (GS1 Temporary Code) Parcel express service by road.
X06	Air freight (GS1 Temporary Code) Air freight delivery service.
X07	Surface air lifting (GS1 Temporary Code) Surface air lifting postal service.
X08	Air express (GS1 Temporary Code) Air express delivery service.
X09	Parcel post (GS1 Temporary Code) Postal service for the delivery of parcels.
X10	Mail express (GS1 Temporary Code) The express mail service of the postal service.
X11	Surface mail (GS1 Temporary Code) For non air mail international mailing.
X12	Accelerated surface mail (GS1 Temporary Code) Higher priority surface mail.
X13	Air mail (GS1 Temporary Code) Use air mail service.

Used Codes

X14	Printed matter/book post (GS1 Temporary Code) A special mailing service for printed matter or books.
X15	Parcel delivery registered (GS1 Temporary Code) Service for the delivery of registered parcels
X16	Parcel delivery express service registered (GS1 Temporary Code) Express service for the delivery of registered parcels
X3	Truck up to 3,5 tons (GS1 Temporary Code) A truck with a total weight up to 3,5 tons.
X4	Miscellaneous transport means (GS1 Temporary Code) Miscellaneous means of transport not further defined.
9303	Sealing party name code Code specifying the name of the sealing party.
CA	Carrier Party undertaking or arranging transport of goods between named points.
CU	Customs 'Customs' means the Government Service which is responsible for the administration of Customs law and the collection of duties and taxes and which also has the responsibility for the application of other laws and regulations relating to the importation, exportation, movement or storage of goods.
SH	Shipper Party which, by contract with a carrier, consigns or sends goods with the carrier, or has them conveyed by him.
TO	Terminal operator Party which handles the loading and unloading of marine vessels.

Example

UNA:+.?'

The UNA segment contains the default service string characters.

UNB+UNOC:3+4012345000009:14:4012345000018+4000004000002:14:4000004000099+181013:1043+4711+REF:AA++++EANCOM+1'

The EANCOM file 4711 dated 13.10.2018, 10 h 43 is sent by the issuer identified with GLN 4012345000009 to the receiver identified with GLN 4000004000002.

UNH+ME000001+DESADV:D:01B:UN:EAN008'

The reference number of the DESADV message is ME000001.

BGM+351::9:X+87441+9'

The document number is 87441.

DTM+137:20181020:102'

The message was created on the 20th of October 2018.

DTM+11:20181028:102'

The despatch date is the 28th of October 2018.

DTM+17:20181028:102'

The estimated delivery date is the 28th of October 2018.

DTM+2:20181028:102'

The delivery date requested by the outlet is the 28th of October 2018.

DTM+200:20181028:102'

This example requires the pick up of consignment on the 28th of October 2018.

ALI+++109'

Business type Commission

RFF+ON:4711'

The message references to buyers order number 4711.

RFF+VN:4712'

The message references to suppliers order number 4712.

RFF+SRN:4712'

The message references to suppliers document number 4712.

RFF+AAS:4713'

The message references to transport document number 4713.

RFF+DQ:4714'

The message references to delivery note number 4714.

RFF+AAK:4714'

The message references to a related DESADV 4714.

RFF+ALL:3'

Three DESADV are connected.

RFF+AAN:4715'

The message references to delivery schedule number 4715.

RFF+AAQ:5015'

The message references to unit load device identification number 5015.

RFF+IV:4716'

The message references to invoice number 4716.

RFF+BO:5698'

Example

This despatch advise is based on blanket order 5698.

RFF+CR:4711'

The despatch advice is based on order reference no. 4711.

RFF+SS:4711'

The despatch advice is based on sellers reference no. 4711.

RFF+PD:4711'

The despatch advice is based on promotion deal no. 4711.

RFF+SD:4711'

The despatch advice is for department 4711.

RFF+POR:4711-R'

The message references to suppliers order response number 4711-R.

DTM+171:20180301:102'

Suppliers order response is the 01th of March 2018.

RFF+AXB:8711'

The instruction of returns no. 8711 is valid.

DTM+171:20180301:102'

The date of the instruction of returns is the 01th of March 2018.

RFF+AXO:AT-N-01-BIO'

The message contains only BIO products. All of them are certified by the control agency AT-N-01-BIO, as long as no other information is given at line level.

RFF+TUU:4714:1'

The message references to the unit packet level unique identifier (upID) 4714, line 1.

NAD+BY+4071615111110::9'

The buyer/invoicee is identified by GLN 4071615111110.

RFF+YC1:0815'

The additional identification is 0815.

RFF+EID:0815'

The Economic operator identifier (EO-ID) is 0815.

CTA+PD+AG-TI406:Herr Schmidt'

Purchasing contact person is Mr. Schmidt

NAD+IV+4071615111235::9'

Invoicee is identified by GLN 4071615111235.

RFF+YC1:0847'

The additional identification is 0847.

NAD+PW+4071615111250::9'

The collection place is identified by GLN 4071615111250.

RFF+YC1:0808'

The additional identification is 0808.

CTA+PD+Claus Früh'

Contact person is Claus Früh.

COM+kölsch@früh.de:EM'

E-mail of Mr. Früh is kölsch@früh.de

NAD+DP+4089876511118::9++Warenempfänger-Name 1:Warenempfänger-Name 2:War

Example

enempfänger-Name 3+Industriestr.13+Köln++50825+DE '

The delivery party is identified by GLN 4089876511118.

RFF+YC1:0816 '

The additional identification is 0816.

RFF+EID:0815 '

The Economic operator identifier (EO-ID) is 0815.

RFF+FID:0815 '

The Facility identifier (F-ID) is 0815.

CTA+PD+Claus Früh '

Contact person is Claus Früh.

COM+kölsch@früh.de:EM '

E-mail of Mr. Früh is kölsch@früh.de

NAD+UC+4089876986411::9++Endempfänger-Name 1:Endempfänger-Name 2:Endempfänger-Name 3+Maarweg 104+Köln++50825+DE '

The ultimate consignee is identified by GLN 4089876986411.

RFF+YC1:0816 '

The additional identification is 0816.

NAD+SU+4389876511113::9+X:X:X:X:X'

The supplier is identified by GLN 4389876511113.

RFF+GN:HRB-471111 '

German statements on business letters: HRB-471111

RFF+YC1:0817 '

The additional identification is 0817.

RFF+XA:WEEE DE 13345678 '

The WEEE registration number is DE 13345678.

RFF+EID:0815 '

The Economic operator identifier (EO-ID) is 0815.

NAD+FW+4154321000005::9'

The freight forwarder is identified by GLN 4154321000005.

RFF+YC1:0818 '

The additional identification is 0818.

NAD+DGC+4212345000005::9'

The logistic service provider is identified by GLN 4212345000005.

RFF+YC1:0819 '

The additional identification is 0819.

NAD+UD+4399899175941::9++EDI-LAND:Herr Laufen:Garage+Bussardweg 5+Leopardshöhle++33818+DE '

The ultimate customer is identified by Global Location Number (GLN) 4399899175941. An address in clear text is only allowed in exceptional cases.

CTA+PD+Claus Früh '

Buyers contact person is Claus Früh.

COM+kölsch@früh.de:EM '

E-mail of Mr. Früh is kölsch@früh.de

Example

NAD+SF+4012345000009::9'

The ship from place is identified by Global Location Number (GLN) 4012345000009.

TDT+20+++31+4012345123456::9:Transport GmbH Schnelle Bücher'

Road parcel express: "Transport GmbH Schnelle Bücher"

EQD+UL'

the consignment is made up by unit load devices.

MEA+PD+AAB+KGM:50'

The gross weight is 50kg.

MEA+PD+AAW+MTQ:20'

The gross volume is 20 cubic metres.

SEL+ULD1212+SH'

The seal number connected to the equipment is ULD1212

CPS+1'

Sequence number one.

PAC+10+:52+201::9'

10 Pallets ISO 1 - 1/1 EURO Pallet

MEA+PD+AAB+KGM:10'

The gross weight is 10 kg.

MEA+PD+AAW+MTQ:15'

The gross volume is 1 cubic metre.

MEA+AAE+NPP+H87:30'

There are 30 transport pallet footprints.

CPS+2+1'

Sequence number two.

PAC+1+:52:27+201::9'

This consignment line contains 1 EURO pallet.

MEA+PD+LAY+H87:3'

The sandwich pallet has 3 layers.

MEA+PD+AAB+KGM:5'

The gross weight is 5 kg.

MEA+PD+AAW+LTR:1'

The gross volume is 1 cubic metre.

MEA+PD+HT+MMT:1050'

The total height is 1050 mm

HAN+CRU::9'

Packaging is crushable.

PCI+39'

Package identification

GIN+AW+340123450000000014'

The SSCC is 340123450000000014

PCI+47'

Identification with GRAI

GIN+DA+401234500003000124'

Example

The GRAI is 401234500003000124

PCI+34'

Identification with GIAI

GIN+CU+40123456XY156'

The GIAI is 40123456XY156

PCI+IEN+12337616644'

Package identification

CPS+3+2'

Sequence number three.

PAC+1+:52:27+201::9'

This consignment line contains 1 EURO pallet.

MEA+PD+LAY+H87:3'

The sandwich pallet has 3 layers.

MEA+PD+AAB+KGM:5'

The gross weight is 5 kg.

MEA+PD+AAW+LTR:1'

The gross volume is one cubic metre.

MEA+PD+HT+MMT:1050'

The total height is 1050 mm

MEA+PD+AAD+KGM:10'

The gross weight is 5 kg.

PCI+39'

Package identification

GIN+AW+340123450000000014'

The SSCC is 340123450000000014.

PCI+47'

Identification with GRAI

GIN+DA+401234500003000125'

The GRAI is 401234500003000125

PCI+34'

Identification with GIAI

GIN+CU+40123456XY157'

The GIAI is 40123456XY157

PCI+IEN+12337616644'

Package identification

PCI+16+Code:DESCR'

Label information

LIN+1++4056786542381:SRV'

The despatched product is identified by GTIN 4056786542381.

PIA+5+40233301000079:MN::246'

Only if LIN does not provide a GTIN: Identification of empties in PIA

PIA+5+ABC5343:SA::91'

Only if LIN does not provide GTIN: Article identification in PIA

Example**PIA+3+4025894315970:SRV::9'**

Substitute article GTIN

PIA+1+7788:SA::91'

The product with GTIN 4056786542381 is additionally identified with suppliers article number 7788.

PIA+1+1234:IN::92'

The product with GTIN 4056786542381 is additionally identified with buyers article number 1234.

PIA+1+4056786542381:PV::9'

The product identified with GTIN 4056786542381 is a promotional variant.

PIA+1+CH-X4711:NB::91'

The batch number of the product is CH-X4711.

PIA+1+CH-X4711:SN::91'

The serial number of the product is SE-X4711.

PIA+1+4711:GB::92'

The article belongs to the class of goods "4711"

PIA+1+CH-5343:NB::91+XYZ987:HS+4012368259753:PV::91'

Batch number, Harmonized system, Promotional variant

PIA+1+10000276:BRI::9'

Brick Code for wine

PIA+1+20000217:GAT::9+30002816:GAV::9'

Attribute type Colour of wine, Attribute value rosé

IMD+B+35+AZUR::91:Blau::DE'

The product identified by GTIN 4056786542381 is blue.

IMD+B+SGR::9+30/31::91:Extra small::DE'

The product identified by GTIN 4056786542381 has got size 30/31.

IMD+A++::Rudi Rüssel::DE'

Article long description: Rudi Rüssel

IMD+C++SG::9'

Display, it is an assortment unit

IMD+C++ACA::246'

GTIN identifies a Transport Medium Unit (Pallet, Container,)

MEA+AAI+AAA+KGM:4'

The net weight is 4 kg.

MEA+AAI+AAB+KGM:5'

The gross weight is 5 kg.

MEA+PD+AAW+LTR:1'

The gross volume is 1 cubic metre.

MEA+ABW+AAL+KGM:12'

The total weight of the line item is 12 KGM.

QTY+12:5'

The delivered quantity is 5 pieces.

QTY+12:0'

Example

No empties are available for pickup when goods are delivered next time.

QTY+192:1'

1 piece without invoicing.

QTY+21:9'

The ordered quantity is 9 pieces.

DTM+44:20180504:102'

Dats of availability is the 4th of May 2018.

FTX+PUR+1+DUN:MEDIA:246'

Do not record dues.

FTX+3E+++www.trackingurl123456.de'

www.trackingurl123456.de

FTX+DEL++15:BOEV:246'

Reason for change

RFF+SD:4711'

The despatch advice line is for department 4711.

RFF+UC:7001:4711'

The despatch advice refers to ultimate customers order number 7001.

RFF+ON:4811:7'

The despatch advice refers to line 7 of buyers order number 4811.

RFF+XA:WEEE DE 13345678'

The WEEE registration number is DE 13345678.

RFF+PD:4711'

The despatch advice line is based on promotion deal no. 4711.

RFF+CR:4711'

The order reference is 4711.

RFF+SS:4711'

The despatch advice line is based on sellers reference no. 4711.

RFF+ACD:4711'

The rack number is 4711.

RFF+DQ:4711'

The delivery note number is 4711.

RFF+LI:4711'

The order line is based on line item reference 4711.

RFF+AXO:AT-N-01-BIO'

The article is a BIO product. It is certified by the control agency AT-N-01-BIO. The indication overwrites information of the heading section.

RFF+TAU:4714'

The message references to the aggregated level unique identifier (aUI) 4714.

RFF+TUU:4714'

The message references to the unit packet level unique identifier (upID) 4714.

PCI+17+1:1:1:1:1:1:1:1:1'

The package is marked with instructions.

DTM+361:20181231:102'

Example

Best before date is the 31th of December 2018.

DTM+36:20181231:102'

Expiry date is the 31th of December 2018.

GIN+BX+987654'

The batch number is 987654.

GIN+SRV+4000862141423'

The GTIN is 4000862141423.

GIN+BN+999888777+X+X+X+X'

The serialised GTIN is 4000862141423999888777.

PCI+16+Code:DESCR'

The use of DE 7102 must be bilaterally agreed.

QVR+-4:21+BP'

The quantity difference is 4 units.

LIN+2++4000862141423:SRV+1:1'

Sub line to describe units included in assortment/display

PIA+5+ABC5343:SA::91'

Only if LIN does not provide GTIN: Articleidentification in PIA

PIA+1+ABC5343:SA::91+XYZ987:IN::92+1111:GN::246+0815:SN::91'

Suppliers internal article number ABC5343, Buyers article number XYZ987, Article Group number 1111, Serial number 0815.

PIA+1+CH-5343:NB::91+XYZ987:HS+4012368259753:PV::91'

Batch number, Harmonized system, Promotional variant.

PIA+1+10000276:BRI::9'

Brick Code for wine

PIA+1+20000217:GAT::9+30002816:GAV::9'

Attribute type Colour of wine, Attribute value rosé

IMD+C++CU::9'

The article is a consumer unit.

IMD+C++RC::9'

Empties (deposit).

IMD+A++::Rüssel von Rudi::DE'

The article description is: Rüssel von Rudi

QTY+45E:12'

12 pieces have been delivered.

CNT+2:3'

The message contains 3 line items.

UNT+171+ME000001'

Number of segments in the message.

UNZ+1+4711'

The transmission file contains 1 message.